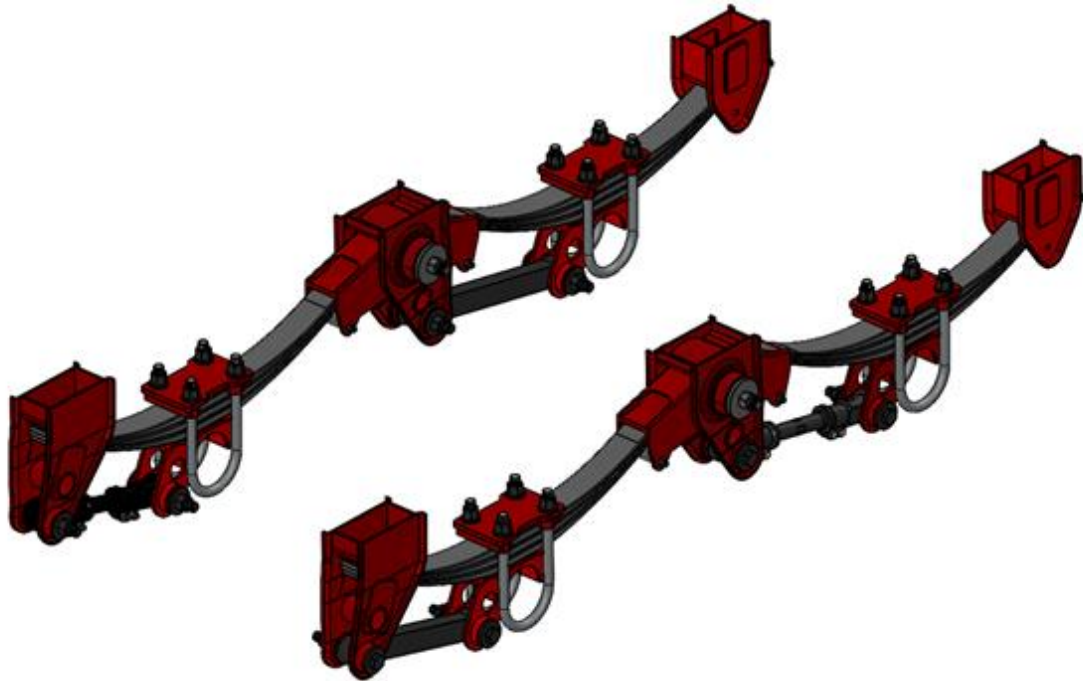


Mechanical Suspension Parts



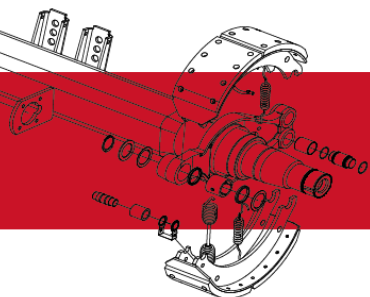
Granning Mechanical Suspension sets can be assembled to suit single, tandem, tri-axle and quad-axle arrangements.

Customers have the option of overslung, underslung and ultra-underslung arrangements with different ride heights and capacities possible.

Section I – 76mm wide spring 11Tonne suspensions

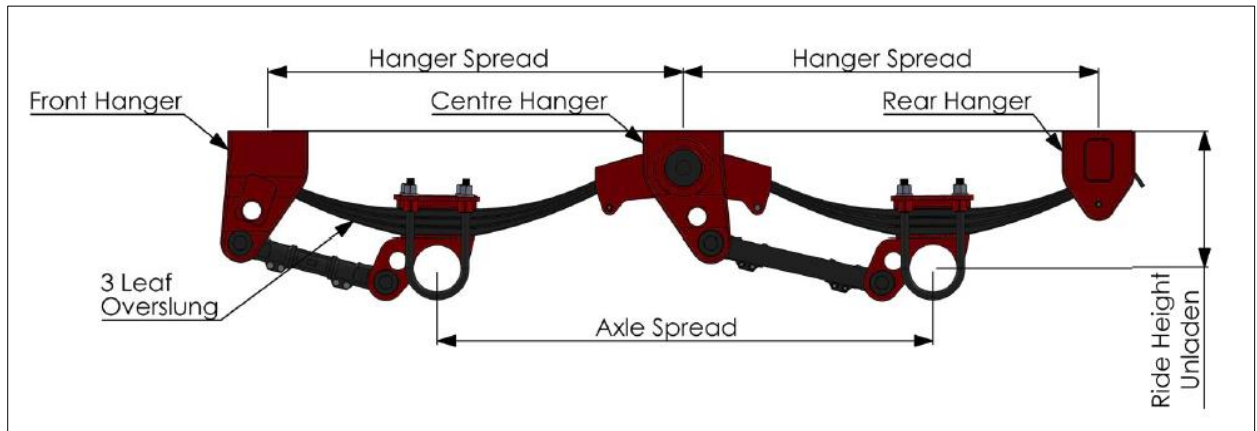
Section II – 100mm wide spring 13Tonne suspensions

Section III – 90mm wide spring 16Tonne suspensions

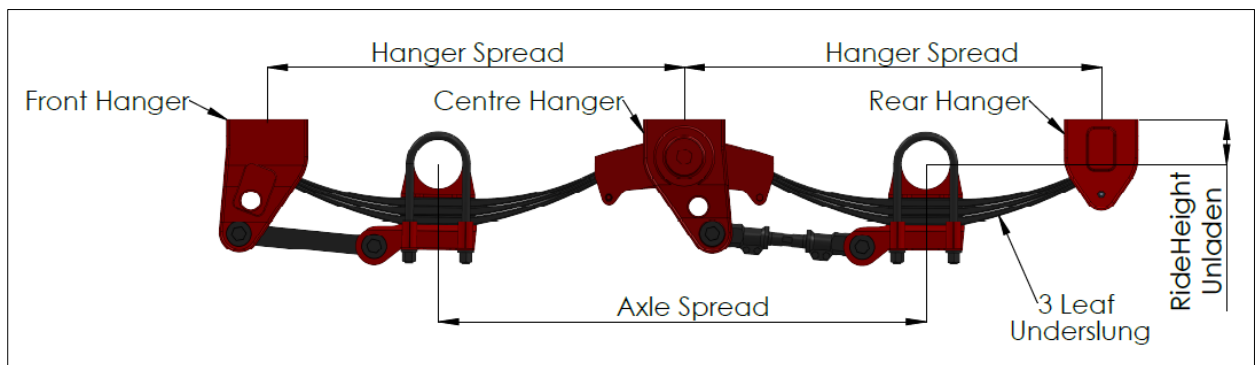


Overslung Mechanical Suspension

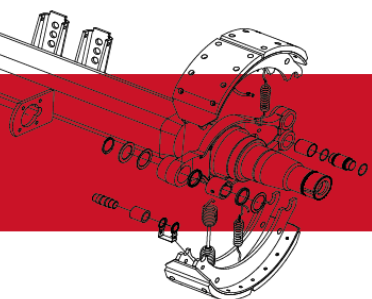
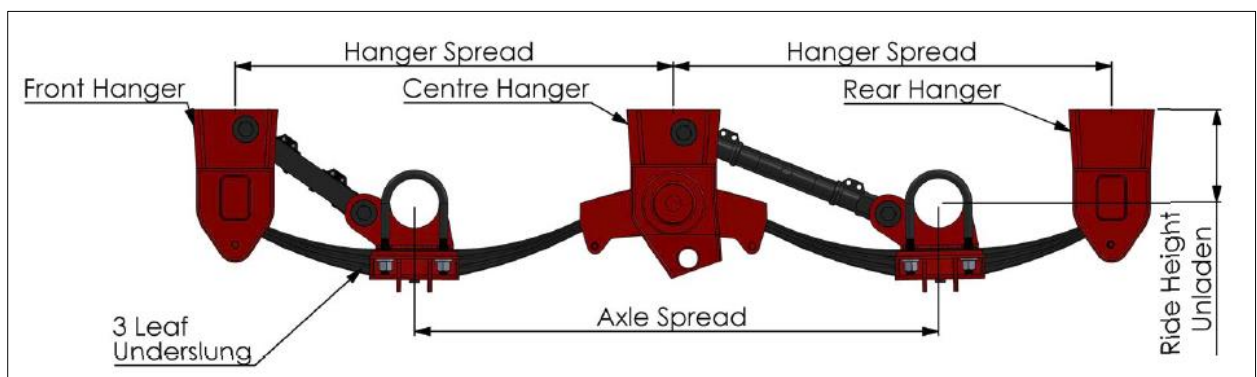
Section I



Underslung Mechanical Suspension



Ultra-Underslung Mechanical Suspension



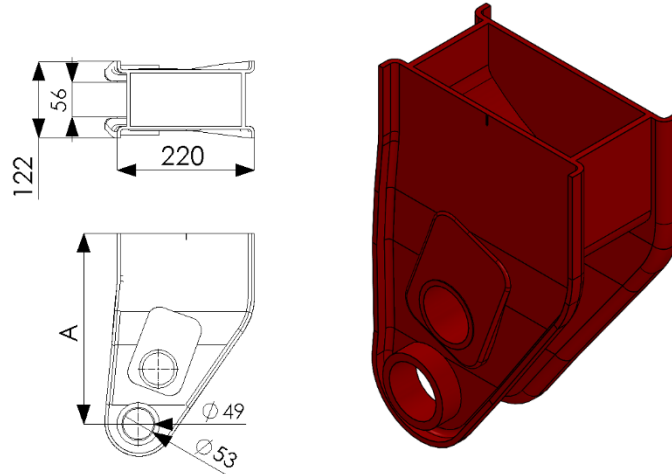


granning
axle and suspension solutions

Individual Mechanical Suspension Parts

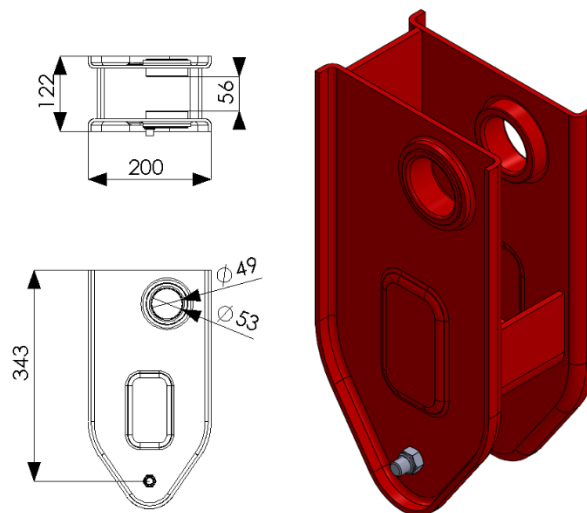
Section I

Front Hanger – Fabricated

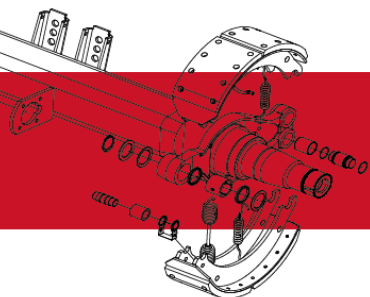


Part No.	Description	Dimension "A"	Application
36026	Front Hanger 305mm	305mm	Overslung/Underslung
36134	Front Hanger 265mm	265mm	Overslung/Underslung

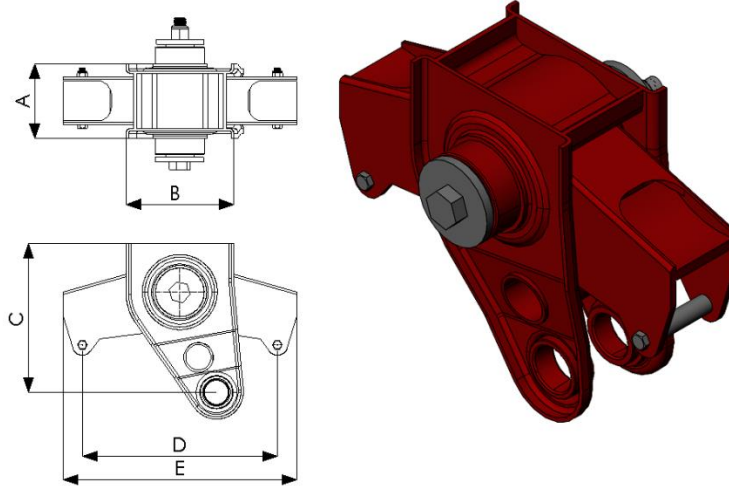
Front Hanger – Fabricated



Part No.	Description	Application
36085	Front Hanger 348mm	Ultra Underslung



Centre Hanger – Fabricated

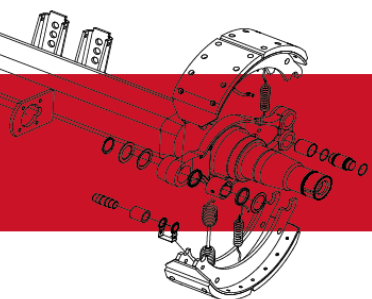


Part No.	Description	Dimension				
		"A"	"B"	"C"	"D"	"E"
36038	Centre Equaliser Hanger	152mm	220mm	305mm	400mm	480mm
36135	Centre Equaliser Hanger	152mm	220mm	277mm	400mm	480mm
36138	Extended Centre Equaliser Hanger	152mm	220mm	305mm	500mm	580mm
36169	Extended Centre Equaliser Hanger	152mm	220mm	277mm	500mm	580mm
36155	Extended Centre Equaliser Hanger	152mm	220mm	305mm	577mm	720mm
36163	Extended Centre Equaliser Hanger	152mm	220mm	277mm	577mm	720mm

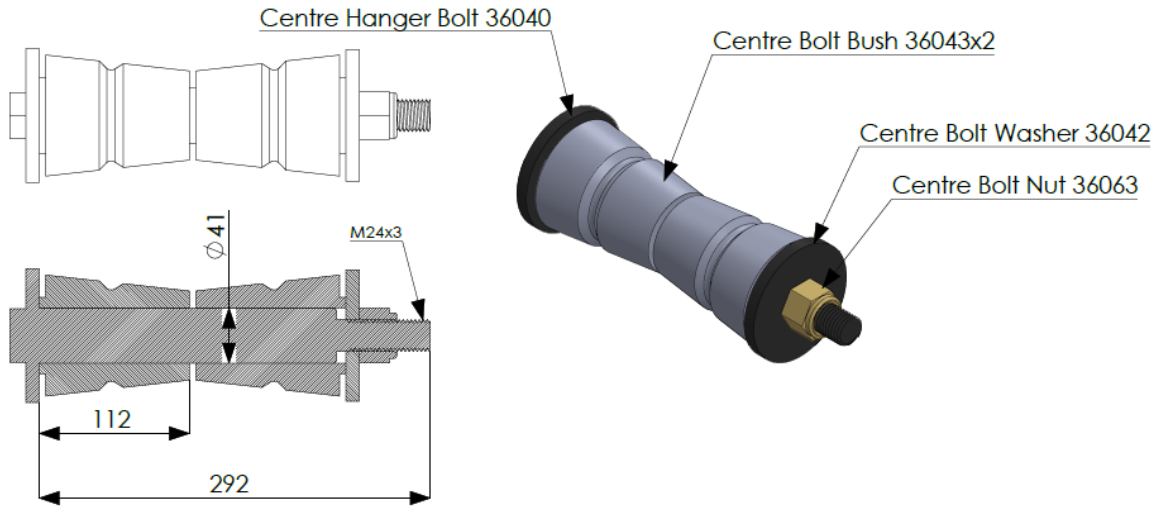
36044 – M12x120mm drop out bolt

36045 – M12 nut

36046 – Drop out bolt tube

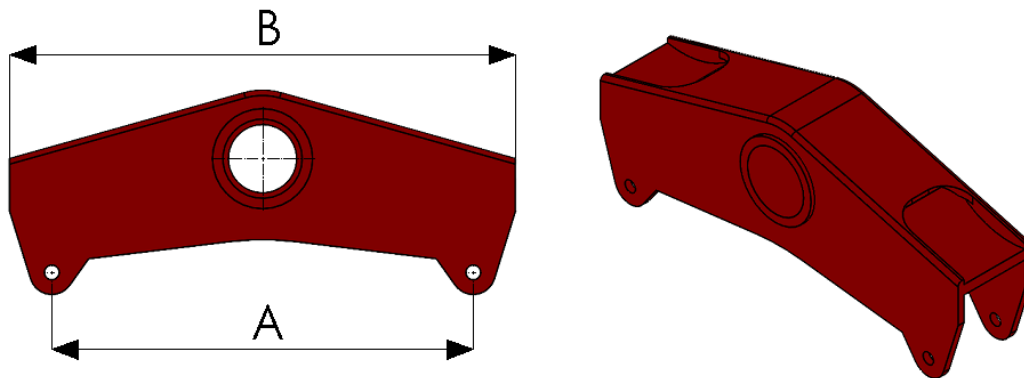


Centre Hanger Balance Beam Centre Bolt Assembly 36196

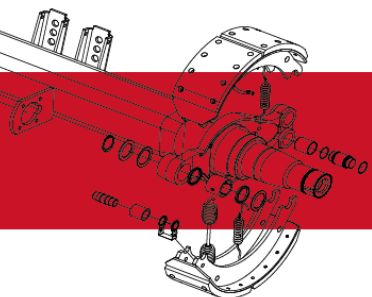


96120- Polyurethane Centre Hanger Bush

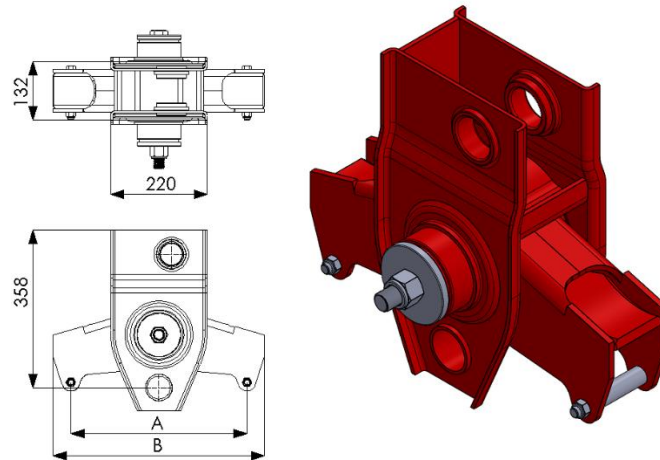
Centre Hanger Balance Beam



Part No.	Description	Dimension	
		"A"	"B"
36039	Centre Equaliser Balance Beam	400mm	480mm
36006	Centre Equaliser Balance Beam	500mm	580mm
36009	Extended Centre Balance Beam	577mm	720mm

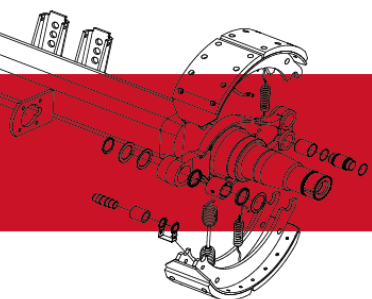
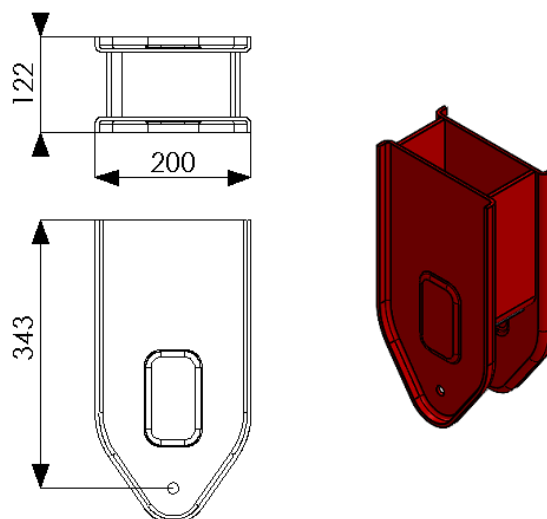


Centre Hanger – Ultra Underslung

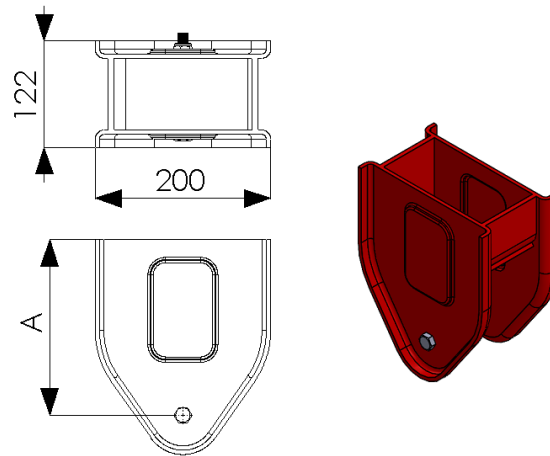


Part No.	Description	Dimension "A"	Dimension "B"	Application
36087	UUS Centre Hanger	400mm	480mm	Ultra Underslung
36145	UUS Extended Centre Hanger	500mm	580mm	Ultra Underslung
36150	UUS Extended Centre Hanger	577mm	720mm	Ultra Underslung

Rear Ultra Underslung Hanger 36086

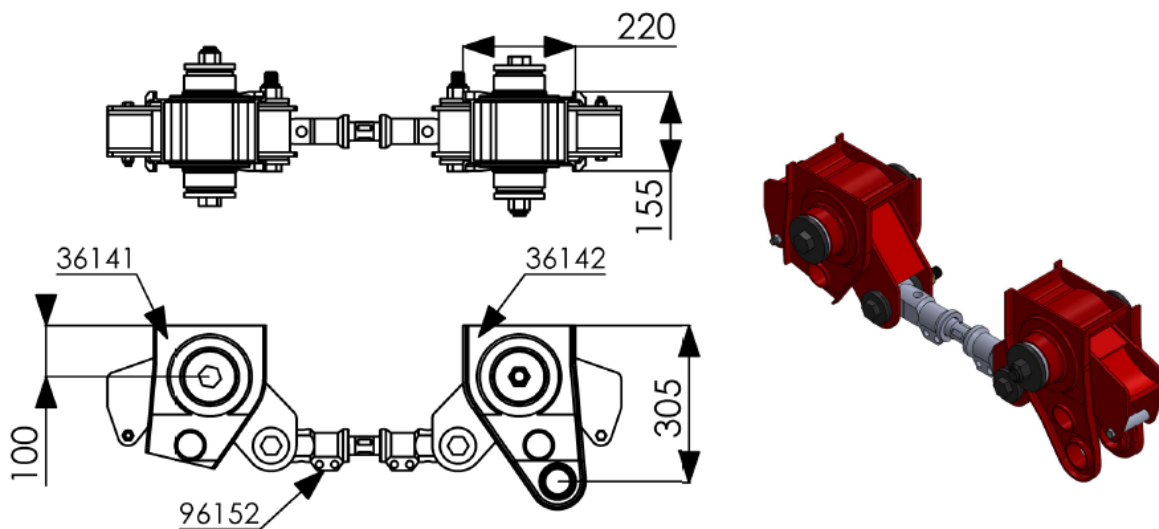


Rear Hanger

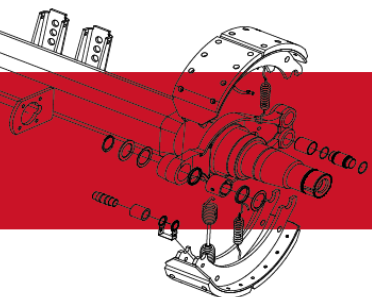


Part No.	Description	Dimension "A"	Dimension "B"	Dimension "C"	Application
36033	Rear Hanger	122mm	200mm	200mm	Overslung/ Underslung
36136	Rear Hanger	122mm	200mm	160mm	Overslung/ Underslung

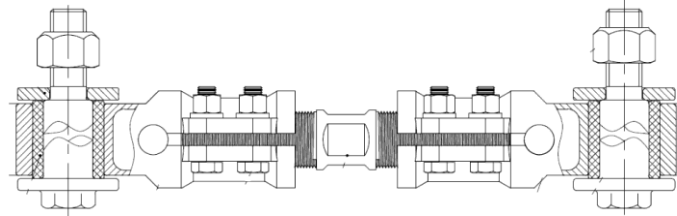
Centre Hanger – used in Wide Spread arrangements



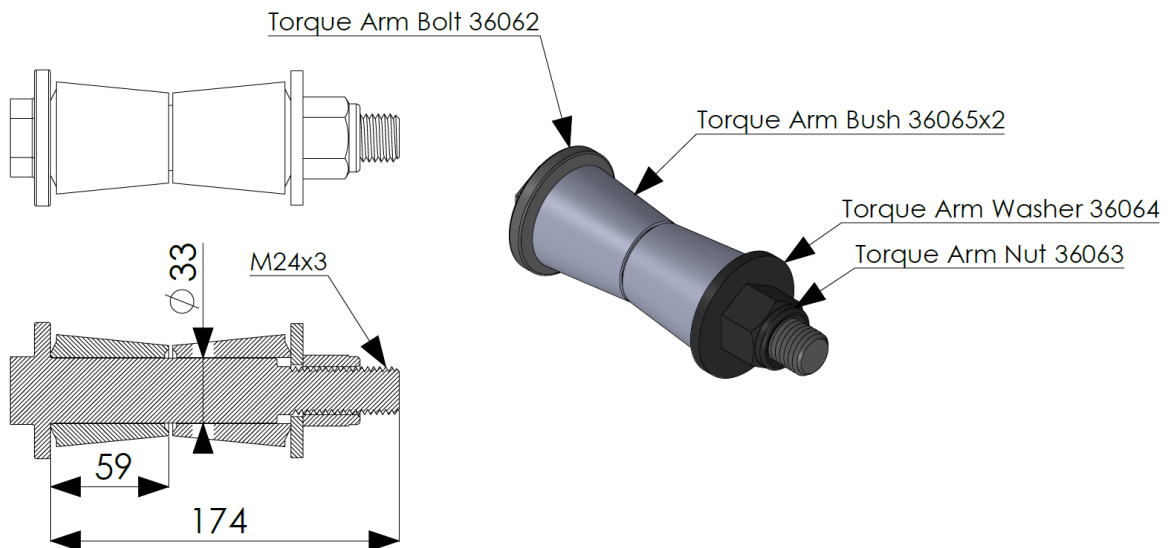
BALANCE BEAM ON ITS OWN 36143



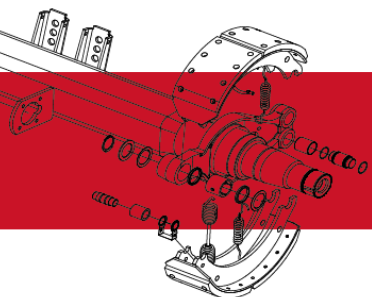
96152 Adjustable torque arm for Wide Spread Hangers



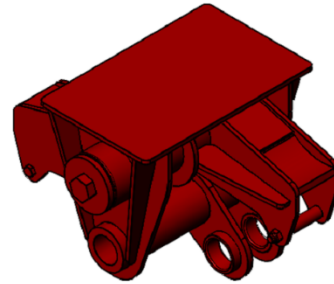
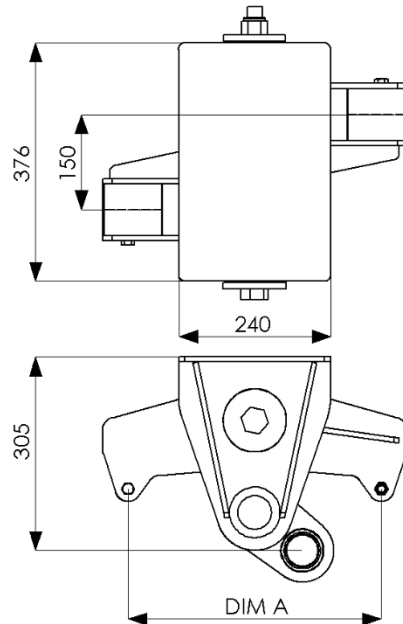
36061 Torque Bolt Assembly



96121- Polyurethane Torque Arm Bush

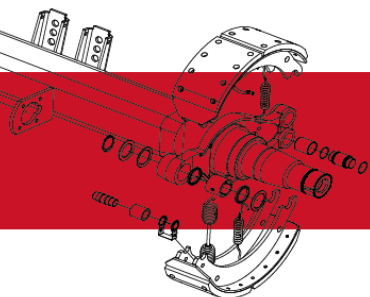


150mm Offset Hanger

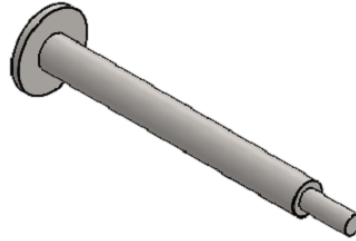
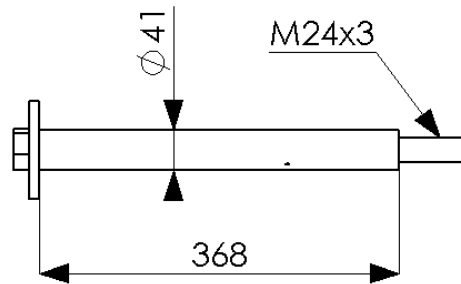


LEFT HAND SIDE SHOWN

Part No.	Description	Dimension "A"	Application
36178	LHS Hanger Assembly 150mm Offset	400	Overslung/Underslung
36181	RHS Hanger Assembly 150mm Offset	400	Overslung/Underslung
36197	LSH Hanger Assembly 150mm Offset	500	Overslung/Underslung
36198	RHS Hanger Assembly 150mm Offset	500	Overslung/Underslung
36176	LSH Hanger	-	Overslung/Underslung
36179	RHS Hanger	-	Overslung/Underslung
36177	LHS Offset Balance Beam	400	Overslung/Underslung
36180	RHS Offset Balance Beam	400	Overslung/Underslung
36201	LSH Offset Balance Beam	500	Overslung/Underslung
36202	RHS Offset Balance Beam	500	Overslung/Underslung

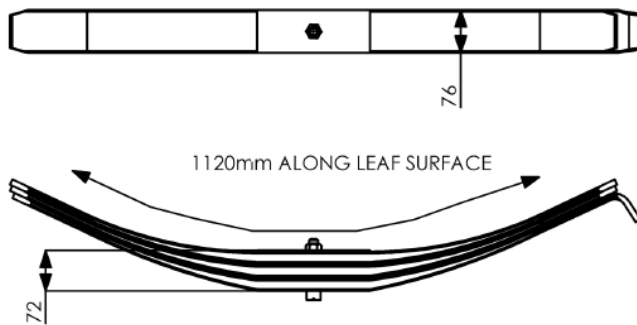


36183 Offset Hanger Balance Beam Pin

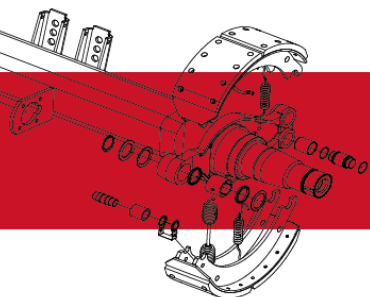
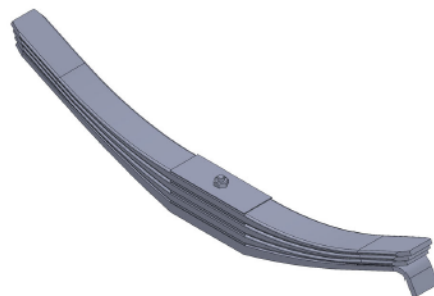
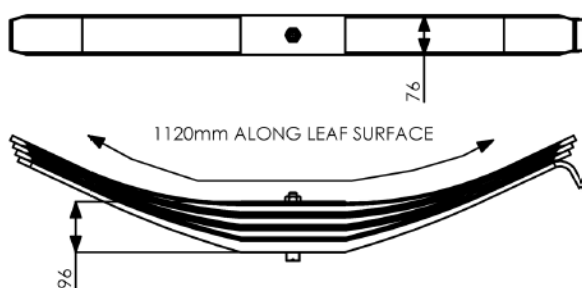


Leaf Springs

36032 3 Leaf Spring

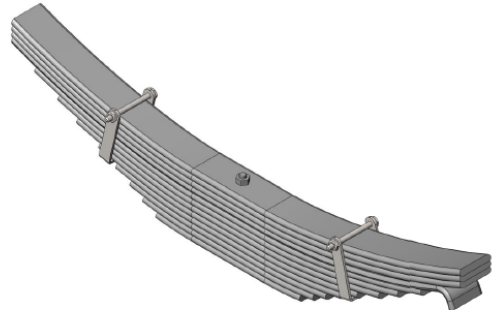
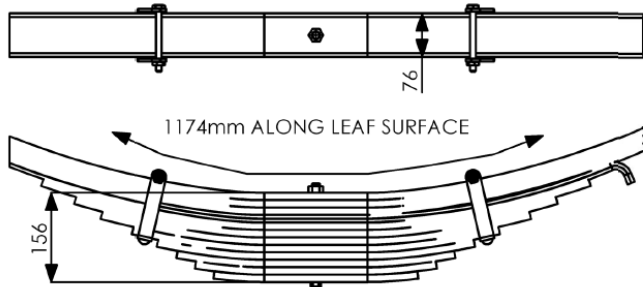


36099 4 Leaf Spring

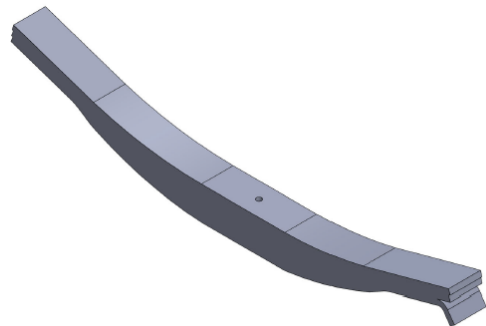
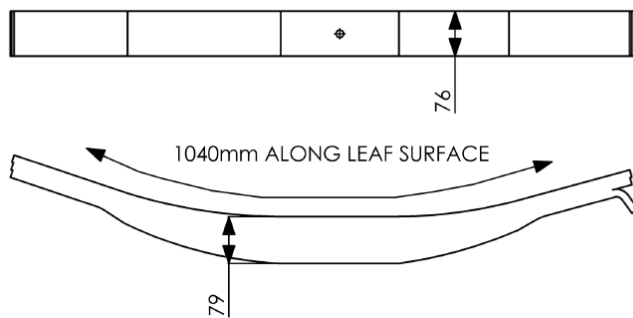


Section I

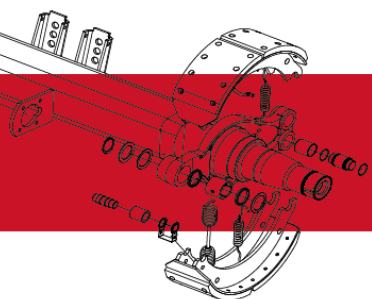
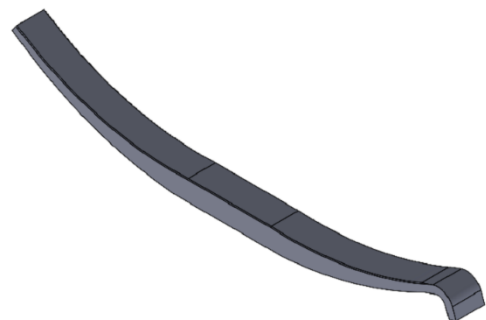
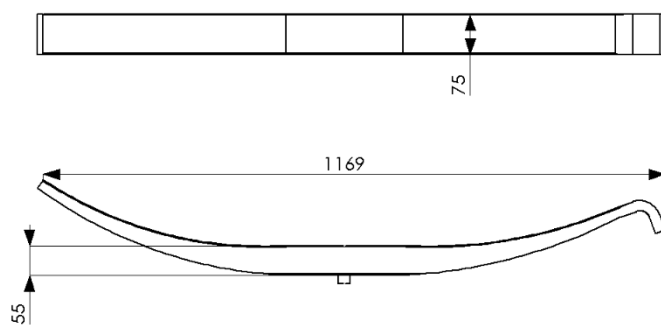
11249 12 Leaf Spring



12311 3 Leaf Spring



51099 Mono Leaf Spring





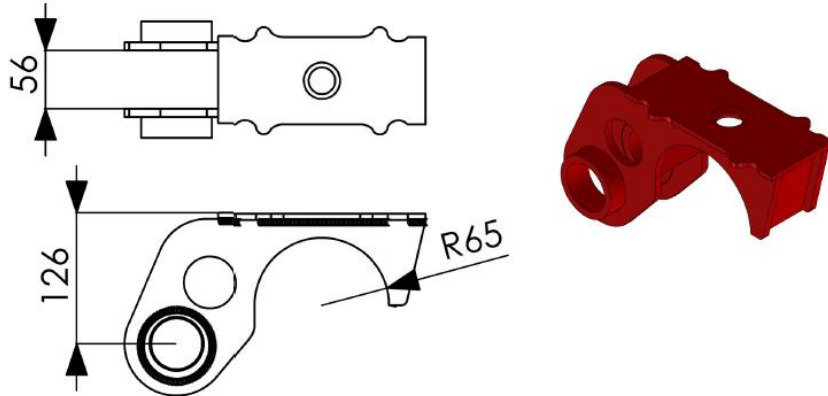
granning

axle and suspension solutions

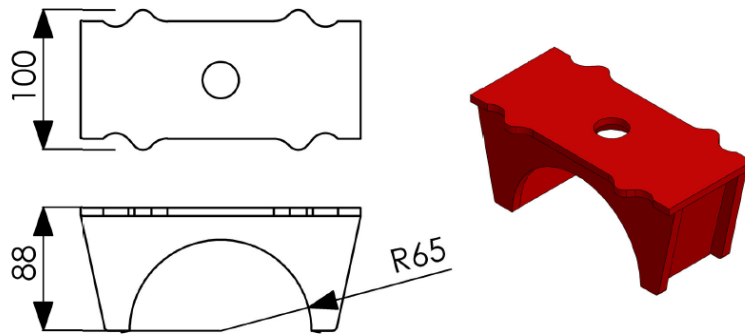
Spring Seats/Saddles/Chairs

Section I

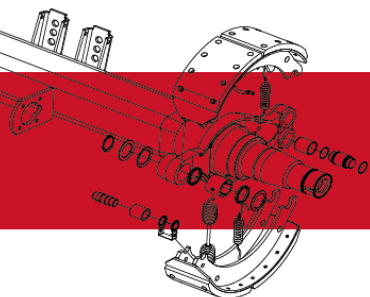
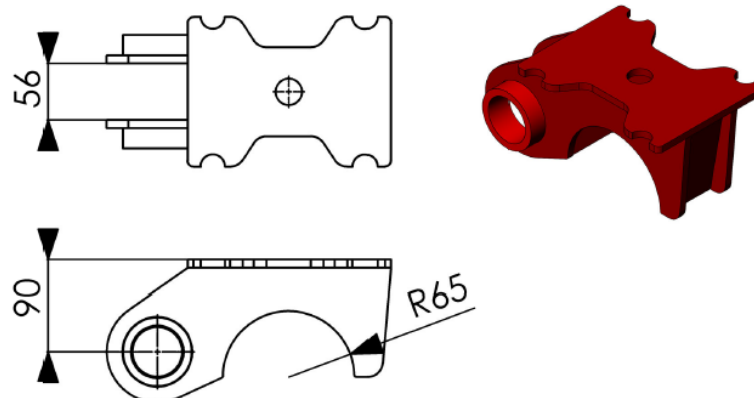
36070 127mm Round Axle Seat



36078 127mm Round Axle Seat 25mm



36096 127mm Round Axle Seat Ultra Underslung



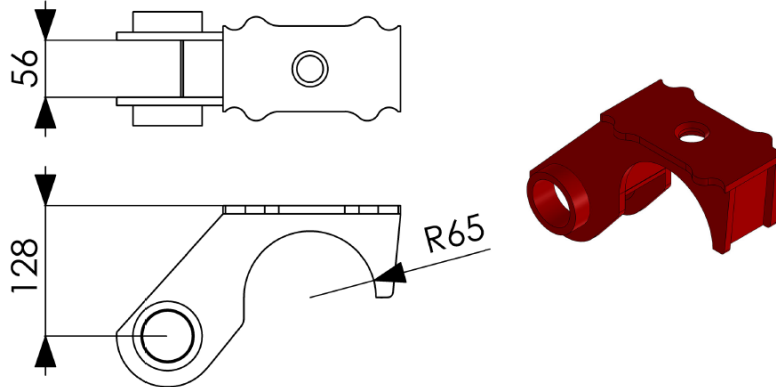


granning

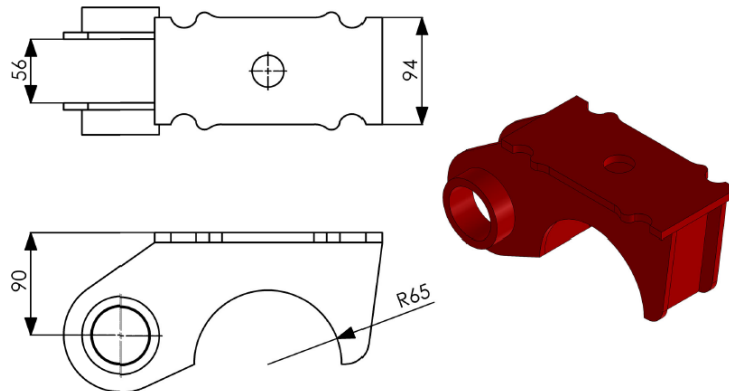
axle and suspension solutions

36146 127mm Round Axle Seat 25mm

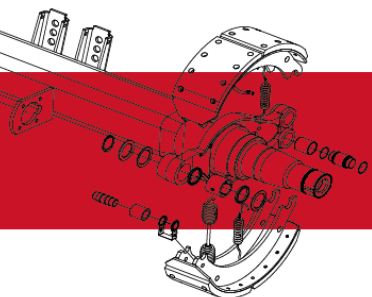
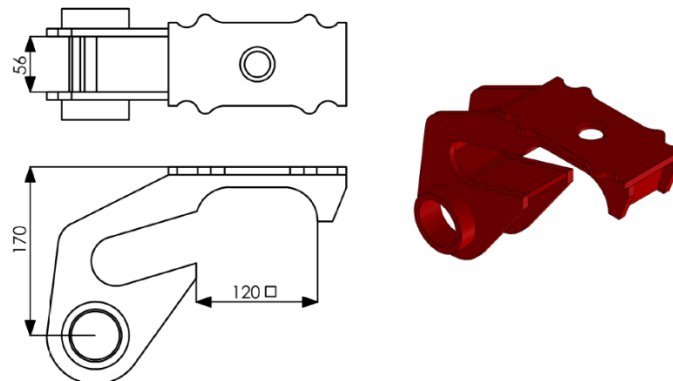
Section I



36158 127mm Round Axle Seat 50mm



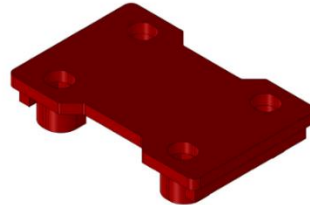
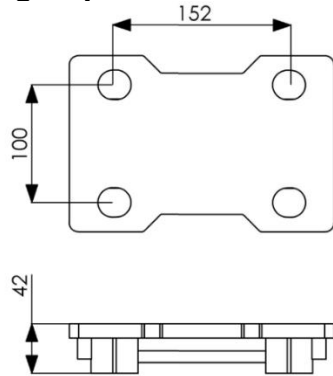
61174 Spring Seat Cast 120sq



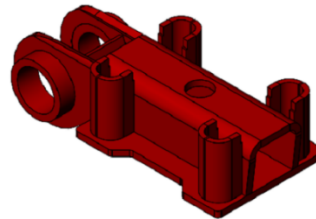
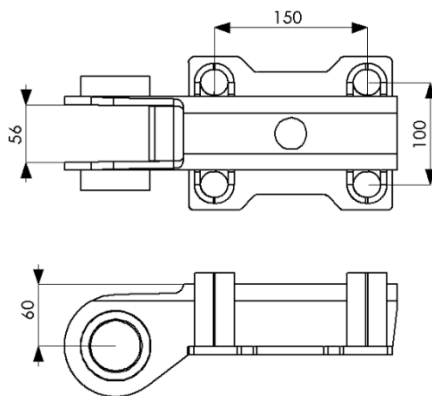
Clamp/Clip Plate

Section I

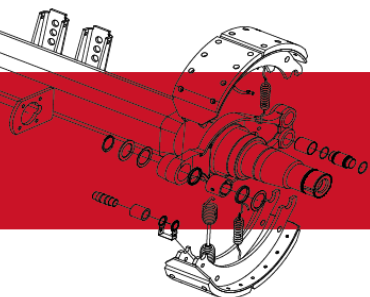
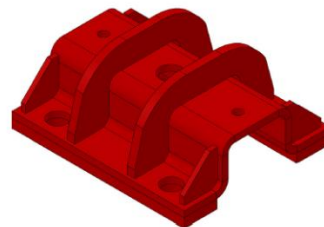
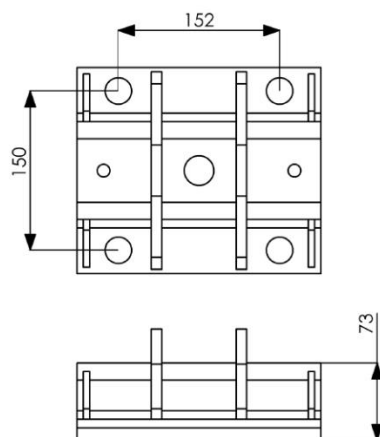
36031 Overslung Clip Plate



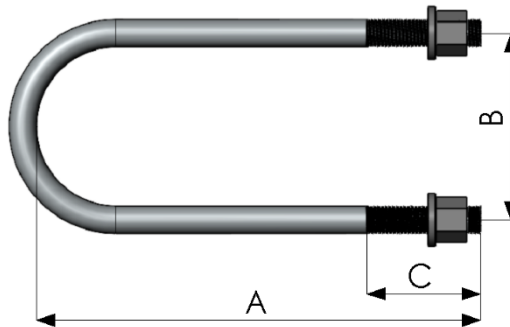
36071 Underslung Clip Plate



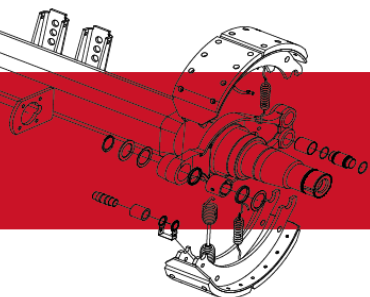
36088 Ultra Underslung Clip Plate



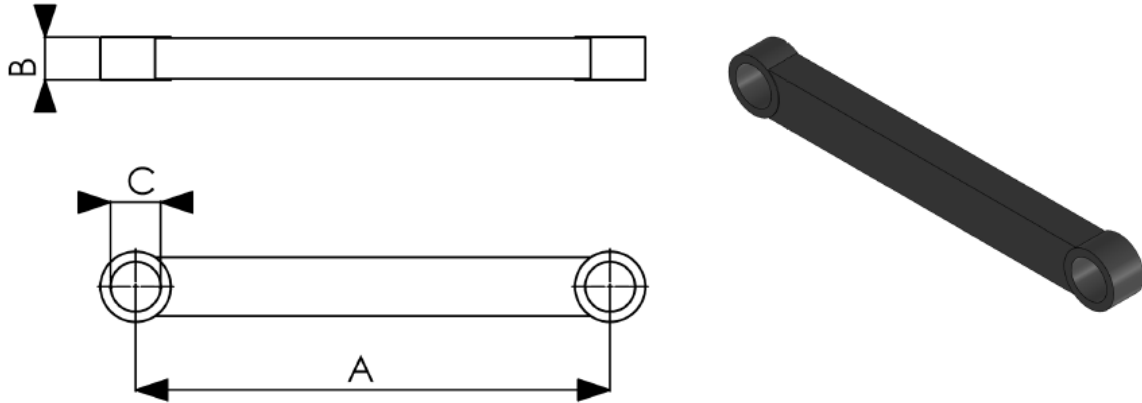
U-Bolt Assembly



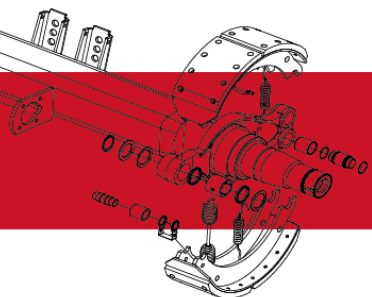
Part No.	Description	Dimension (mm)			Application	Comment
		"A"	"B"	"C"		
13032	U-Bolt 330mm	335	153	90	OS/US/UUS	M24 x 2.0
13033	U-Bolt 305mm	305	153	180	OS/US/UUS	M24 x 2.0
15127	U-Bolt 264mm	264	115	75	OS/US/UUS - SQ	M27 x 2.0
15397	U-Bolt 204mm	204	115	75	OS/US/UUS - SQ	M27 x 2.0
31605	U-Bolt Mid Lift	270	152	90	Mid-Lift Axle	M24 x 2.0
36025	U-Bolt 377mm	377	152	90	OS/US/UUS	M22 x 2.0
36066	U-Bolt 300mm	300	152	90	OS/US/UUS	M22 x 2.0
36072	U-Bolt 330mm	330	152	90	OS/US/UUS	M22 x 2.0
36081	U-Bolt 357mm	357	152	90	OS/US/UUS	M22 x 2.0
36095	U-Bolt 245mm	245	152	90	UUS	M22 x 2.0
36097	U-Bolt 120SQ	460	143	291	OS/US/UUS - SQ	M22 x 2.0
36188	U-Bolt 150SQ	375	180	90	OS -100mm spring	M24x2.0
51108A	U-Bolt 120SQ	290	137	90	OS/US/UUS - SQ	M30 x 2.0
51109A	U-Bolt 120SQ	310	137	90	OS/US/UUS - SQ	M30 x 2.0
61099	U-Bolt 280mm	280	152	145	OS/US/UUS	M22 x 2.0
61123	U-Bolt 457mm	457	152	325	OS/US – 12 Leaf	M22 x 2.0
96512	U-Bolt 100SQ	280	112	90	OS/US/UUS - SQ	M22 x 1.5
96516	U-Bolt 90SQ	275	102	90	OS/US/UUS - SQ	M22 x 1.5
97706	U-Bolt 318mm	318	152	105	OS -100mm spring	M22 x 2.0



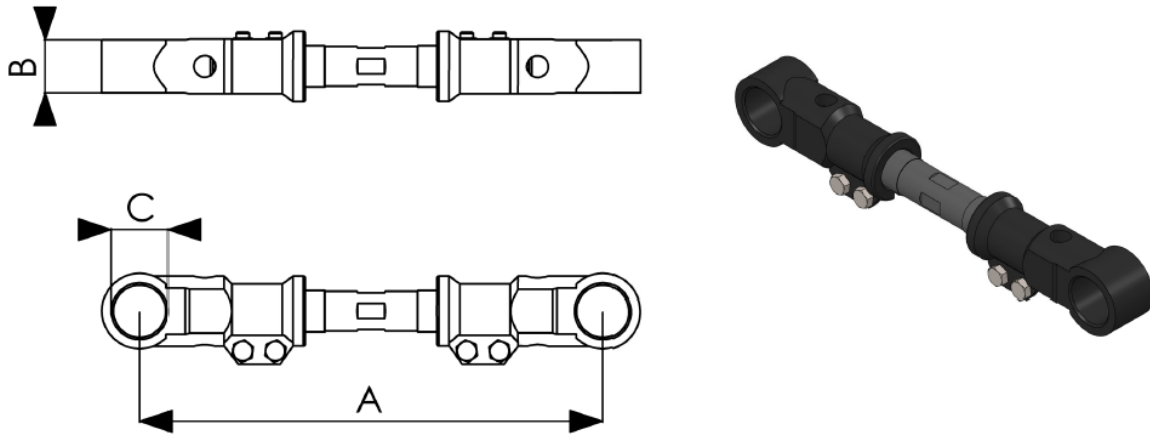
Rigid Torque Arms



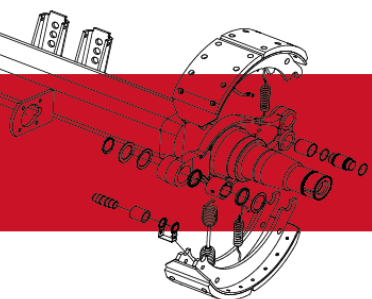
Part No.	Description	Dimension (mm)		
		"A"	"B"	"C"
36047	Rigid Torque Arm 405mm	405	48	Ø47
36054	Rigid Torque Arm 445mm	445	48	Ø47
36073	Rigid Torque Arm 365mm	365	48	Ø47
36076	Rigid Torque Arm 480mm	480	48	Ø47
36089	Rigid Torque Arm 370mm	370	48	Ø47
36090	Rigid Torque Arm 540mm	540	48	Ø47
36091	Rigid Torque Arm 560mm	540	48	Ø47
97708	100mm Fixed Torque Arm	490	48	Ø51
97747	100mm Fixed Torque Arm	424	48	Ø51
97748	100mm Fixed Torque Arm	445	48	Ø51
97776F	100mm Fixed Torque Arm	450	48	Ø51
97780	100mm Fixed Torque Arm	508	48	Ø51
97790	100mm Fixed Torque Arm	535	48	Ø51



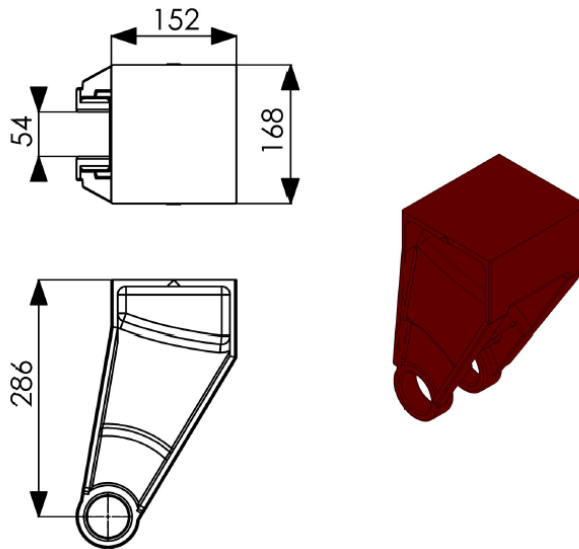
Adjustable Torque Arms



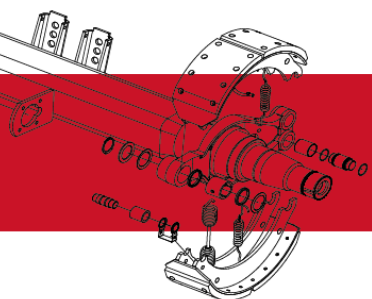
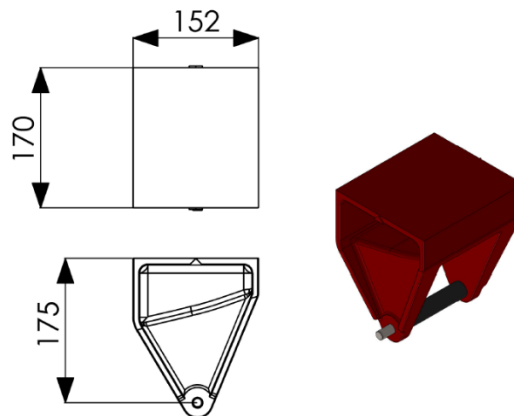
Part No.	Description	Dimensions (mm)				
		A – Min.	A – Nom.	A – Max.	B	C
36048	Adjustable Torque Arm 405mm	375	420	465	48	Ø47
36055	Adjustable Torque Arm 445mm	405	445	485	48	Ø47
36074	Adjustable Torque Arm 365mm	340	352.5	365	48	Ø47
36077	Adjustable Torque Arm 480mm	450	492.5	535	48	Ø47
36092	Adjustable Torque Arm 373mm	335	355	375	48	Ø47
36093	Adjustable Torque Arm 540mm	470	517.5	565	48	Ø47
36094	Adjustable Torque Arm 560mm	525	572.5	620	48	Ø47
97709	Adjustable Torque Arm 490mm	441	470	498	48	Ø51



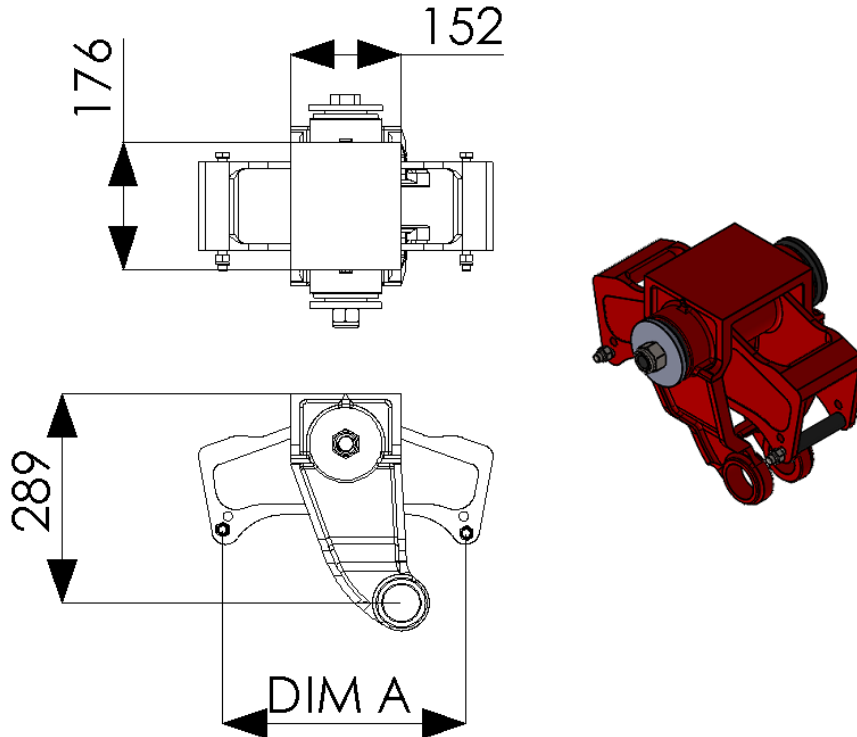
97700F – 100mm Front Hanger



97782F – 100mm Rear Hanger



100mm Centre Hanger

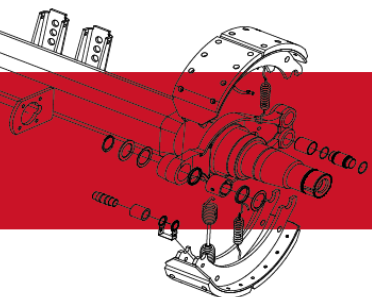


Part No.	Description	DIM A
97701F	100mm Centre Hanger	336
97761F	100mm Centre Hanger 1500mm	490

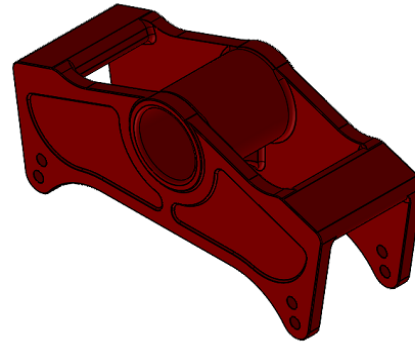
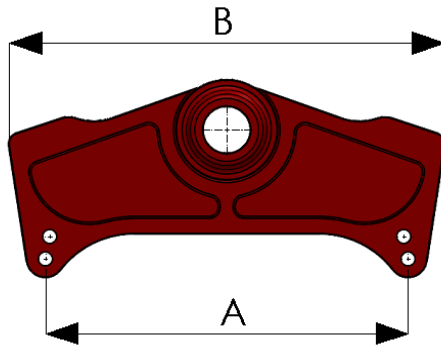
97785F – M12x155mm drop out bolt

36045 – M12 nut

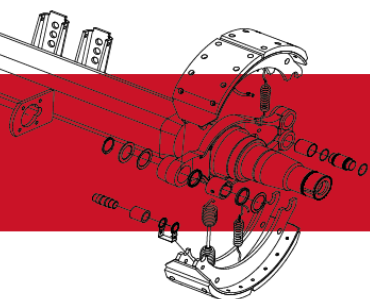
97784F – Drop out bolt tube



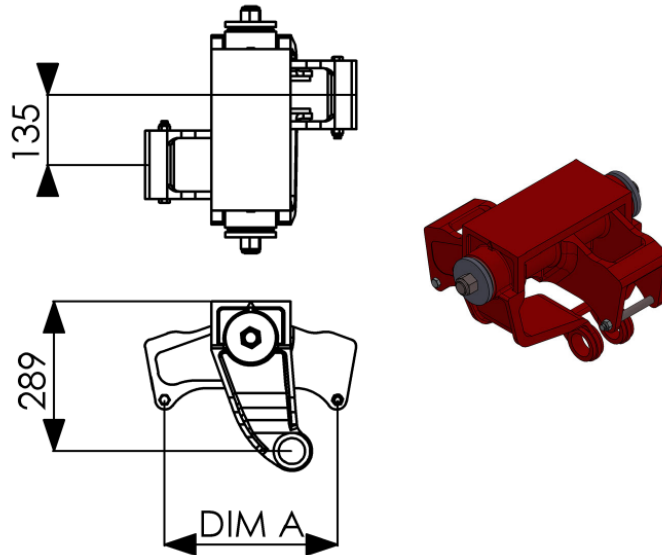
Centre Hanger Balance Beam



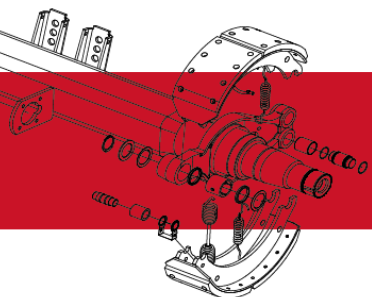
Part No.	Description	Dimension	
		"A"	"B"
97742F	Standard 100mm Balance Beam	336mm	405mm
97760F	1500mm Equaliser Balance Beam	490mm	570mm



Offset Centre Hanger



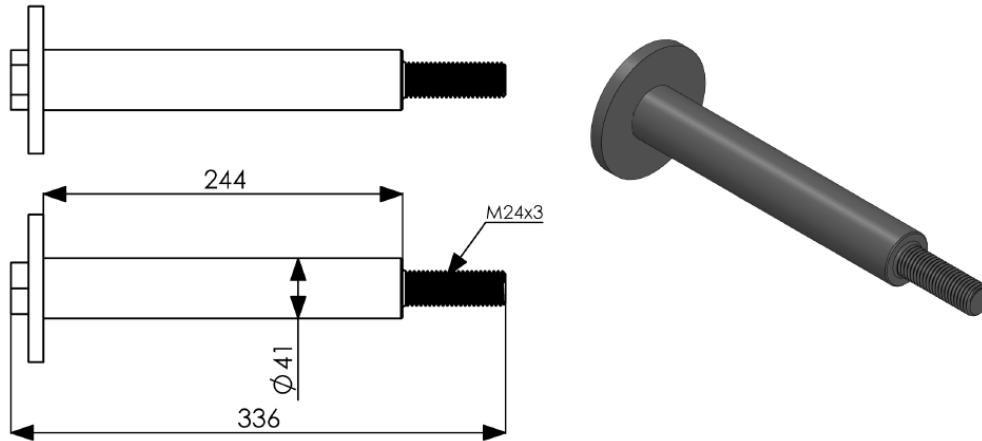
Part No.	Description	DIM A
97771	Offset Centre Hanger Assembly LHS (shown above)	336
97772	Offset Centre Hanger Assembly RHS	336
97764	Offset Centre Hanger Assembly 1500 LHS	490
97765	Offset Centre Hanger Assembly 1500 RHS	490
97752	LHS Offset Hanger Only	
97753	RHS Offset Hanger Only	
97754	LHS Offset Rocker Only	336
97755	RHS Offset Rocker Only	336
97762	LHS Offset Rocker Only	490
97763	RHS Offset Rocker Only	490



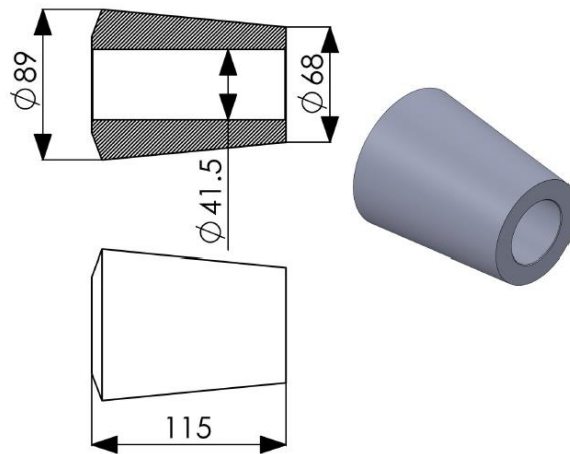
Centre Bolt 100mm Wide Suspension

There are 2 suppliers of the hanger centre bolts and bushes

97783F



96120 – Polyurethane Bush

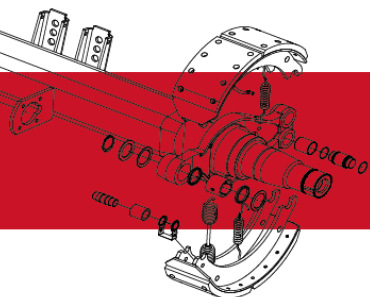


Centre Bolt Washer – 36042

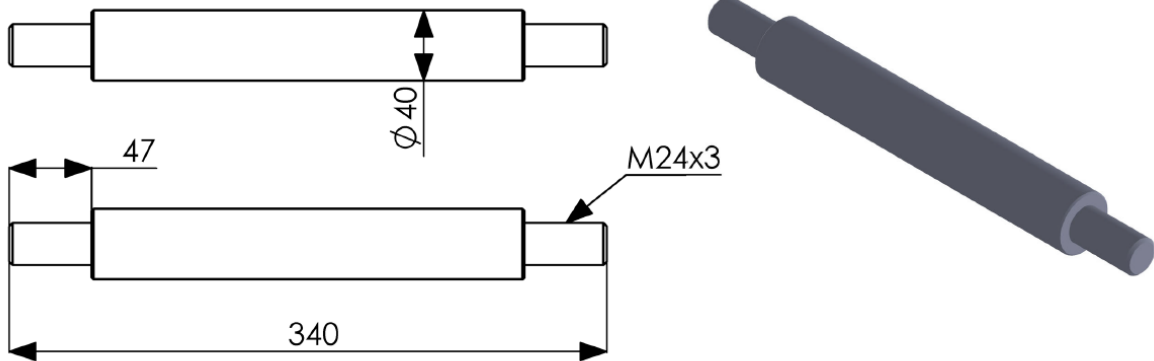
Centre Bolt Nut – 36063

Split Pin – 97939F

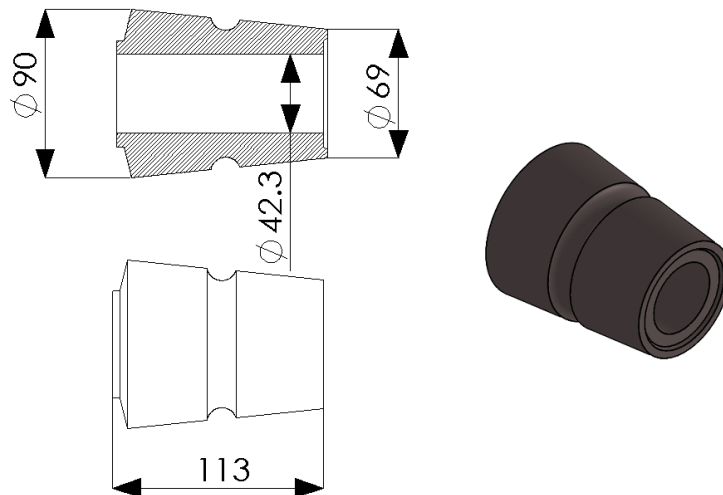
**97777F – Centre Equaliser Bolt/Washer/Nut/2xPoly bushes
(97783F + 2 x 96120)**



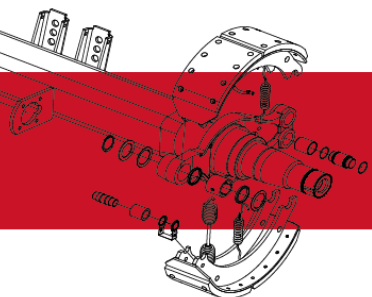
97736 Centre Pin



97749 Polyurethane Bush

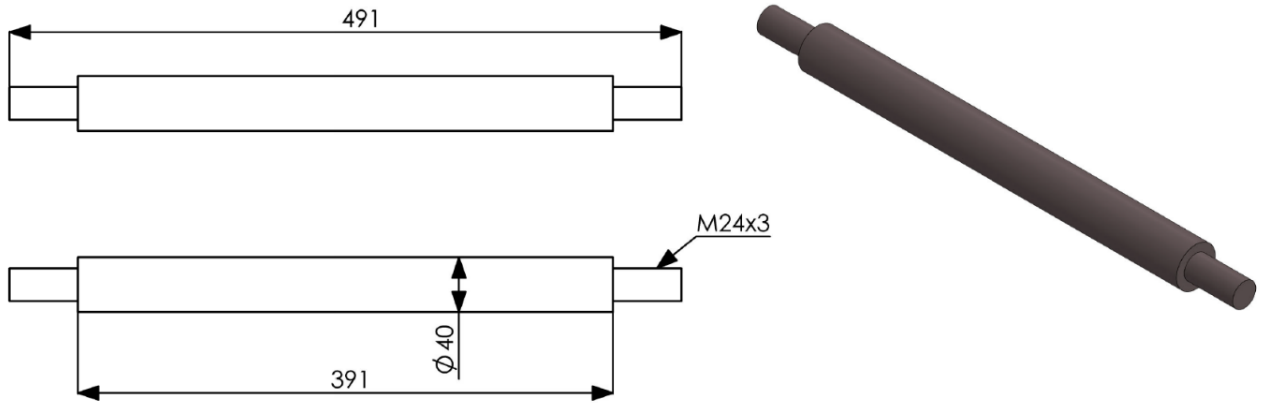


97736 – Centre Equaliser Bolt (97736)/Washer/Nut



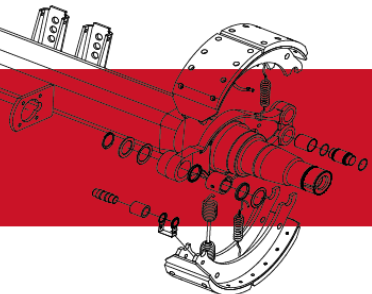
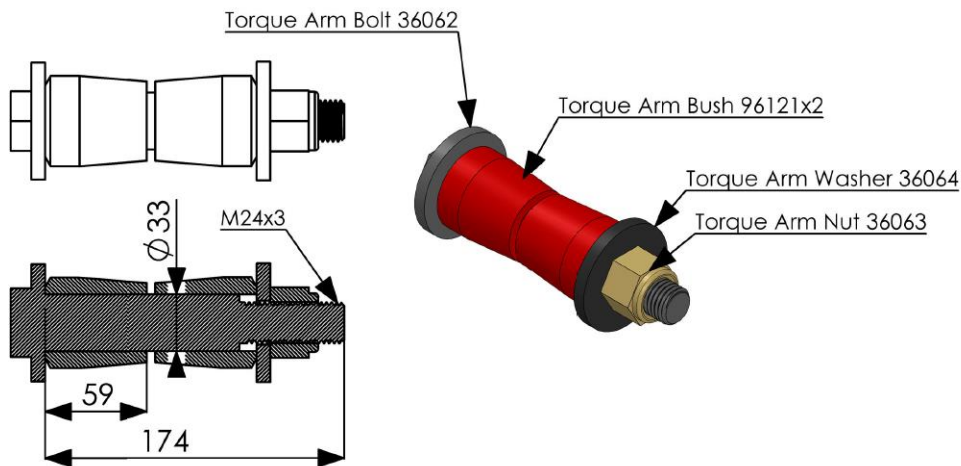
Centre Bolt 100mm Wide Offset Suspension

97745 – Centre Equaliser/Washer/Nut/

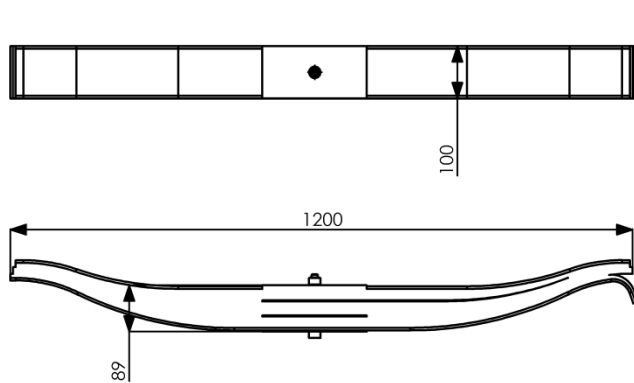


97745 uses 97749 Bushes

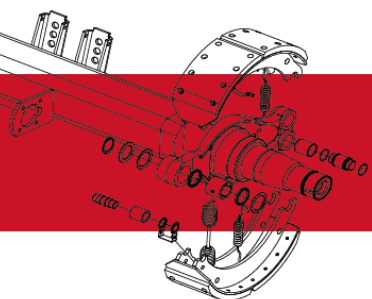
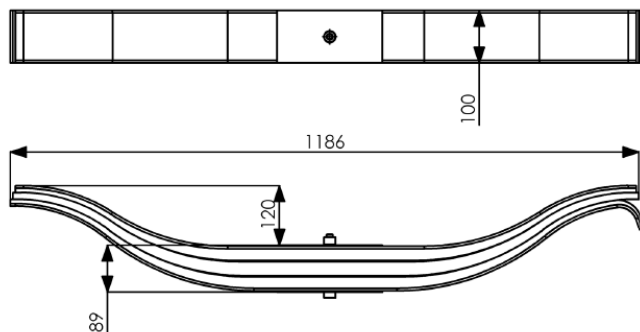
97710F – Torque Arm Bolt Assembly



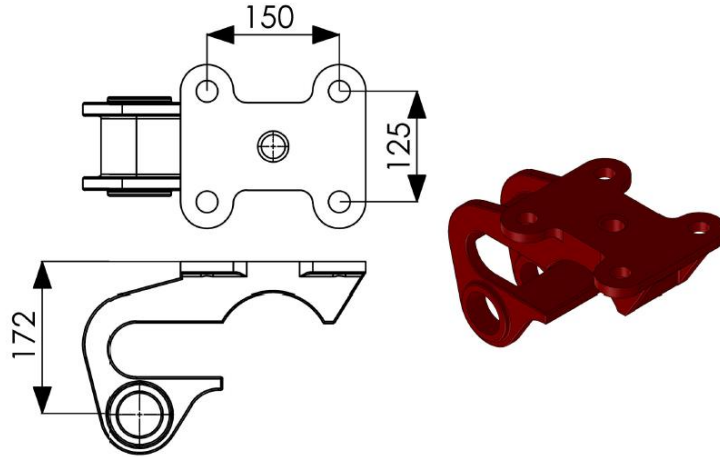
97746F – 3 Leaf Low Camber 100mm Spring



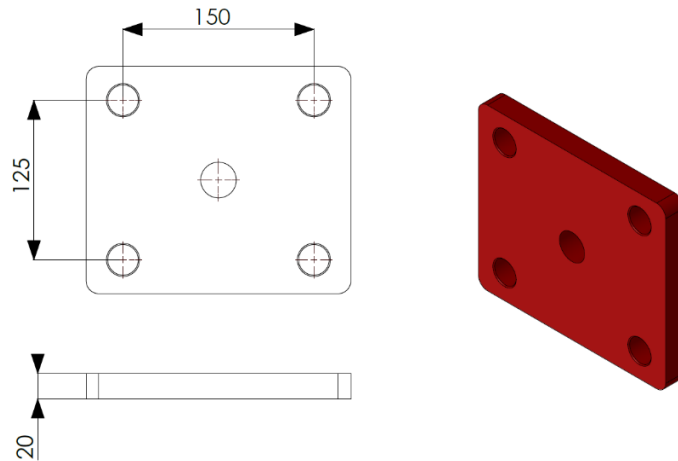
97778F – 3 Leaf 100mm Spring



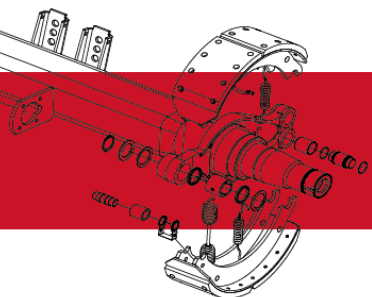
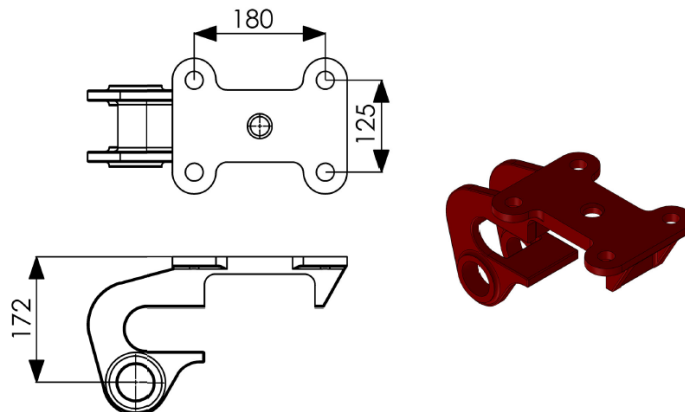
97704F – 100mm 127Ø Axle Seat



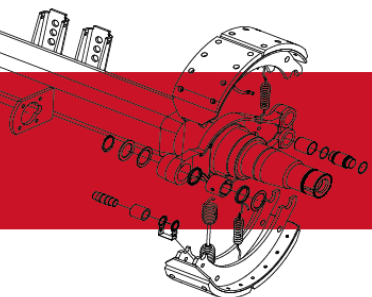
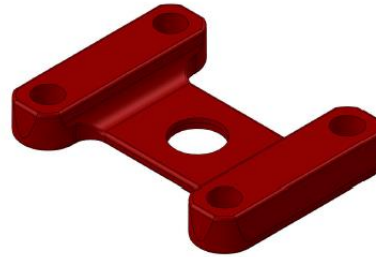
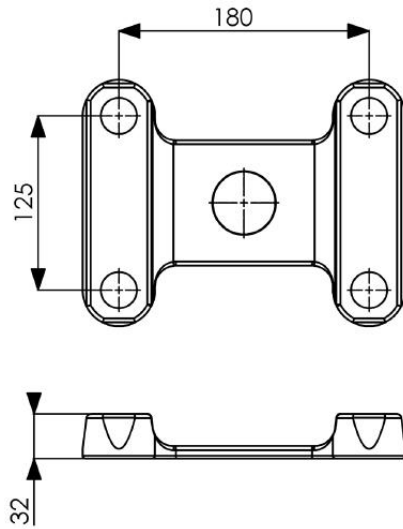
97705F – 100mm 127Ø Axle Seat



36187 – 100mm 150 SQ Axle Seat

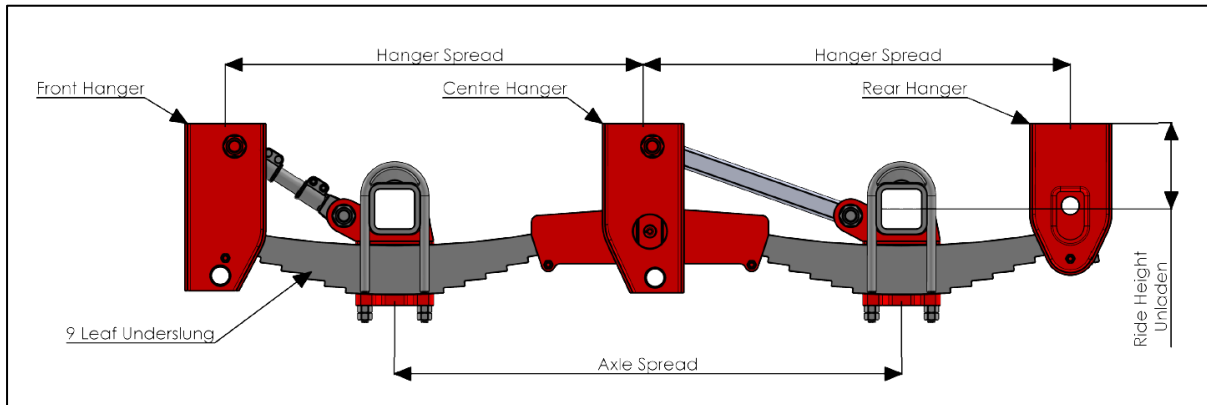


36186 – 100mm 150 SQ Clip Plate

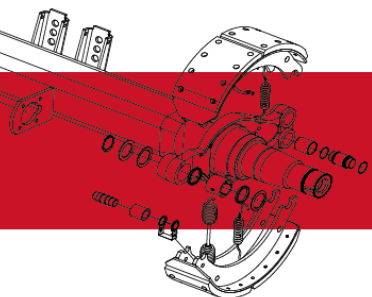
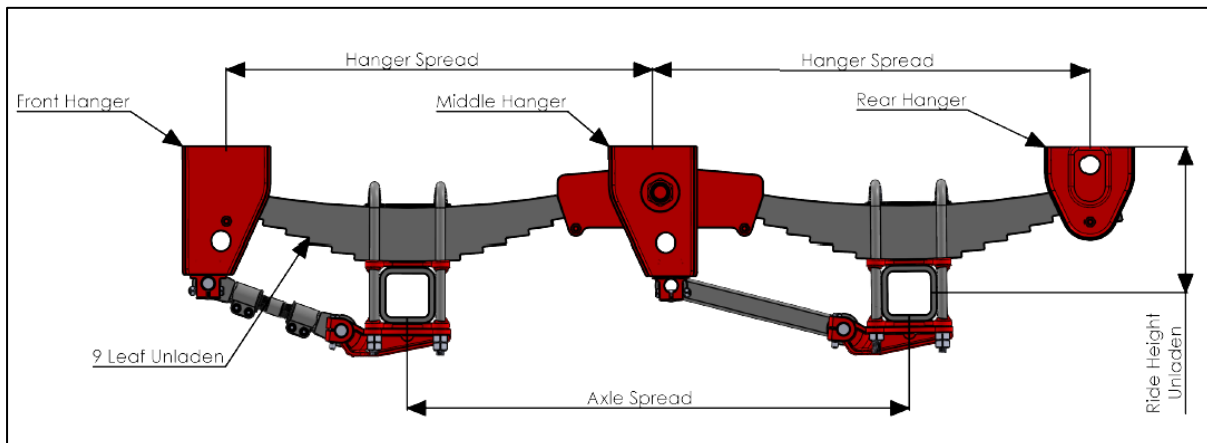


16 Tonne Suspension with 90mm Wide Spring

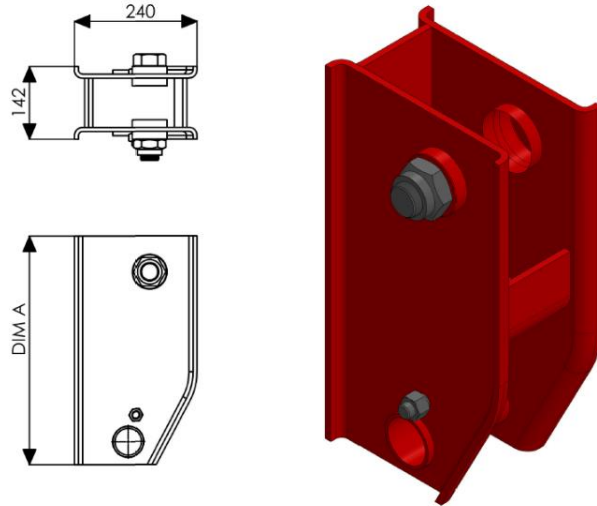
Underslung Mechanical Suspension



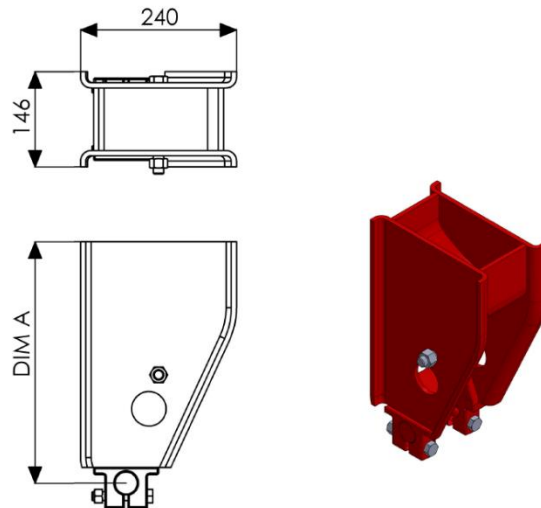
Overslung Mechanical Suspension



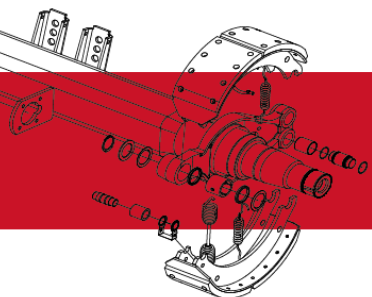
16T Front Hanger



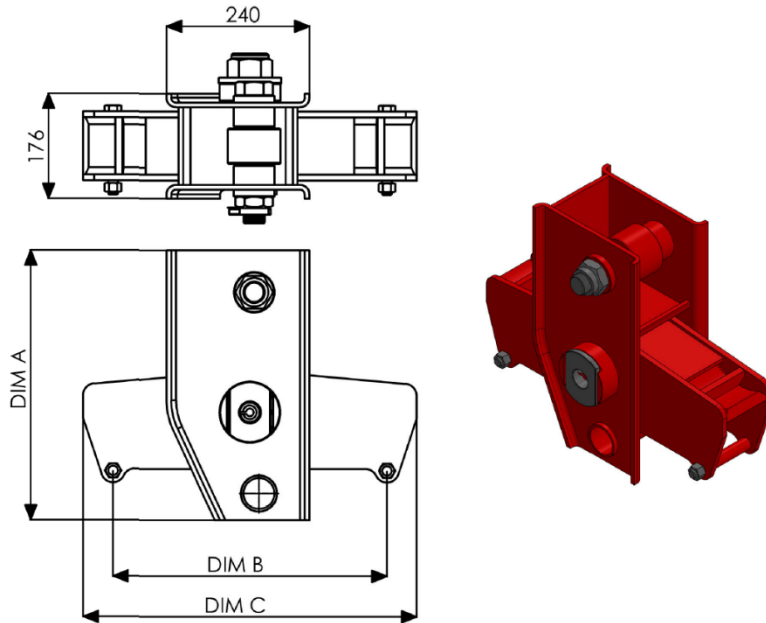
Part No.	Description	Dimension "A"	Application
33237	Front Hanger 200mm Ride Height	446mm	Underslung
33220	Front Hanger 250mm Ride Height	496mm	Underslung



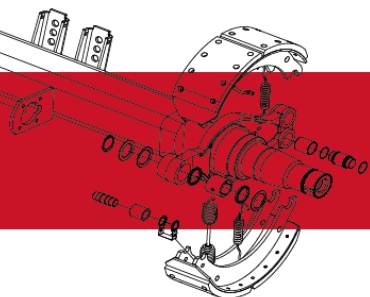
Part No.	Description	Dimension "A"	Application
33224	Front Hanger 395mm Ride Height	370mm	Overslung
33239	Front Hanger 444mm Ride Height	422mm	Overslung



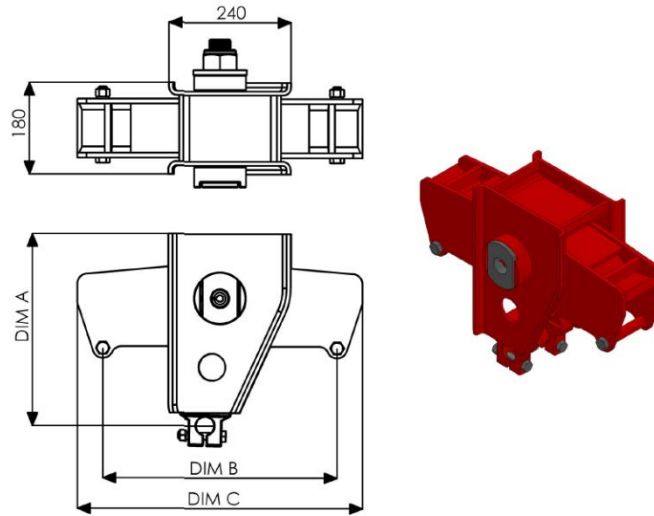
16T Centre Hanger



Part No.	Description	Dimension			Application
		"A"	"B"	"C"	
33213	Centre Equaliser Hanger 200mm Ride Height 1360mm Spread	452mm	460mm	560mm	Underslung
33221	Centre Equaliser Hanger 250mm Ride Height 1360mm Spread	502mm	460mm	560mm	Underslung
33212	Centre Equaliser Hanger 200mm Ride Height 1500mm Spread	452mm	600mm	700mm	Underslung
33223	Centre Equaliser Hanger 250mm Ride Height 1500mm Spread	502mm	600mm	700mm	Underslung

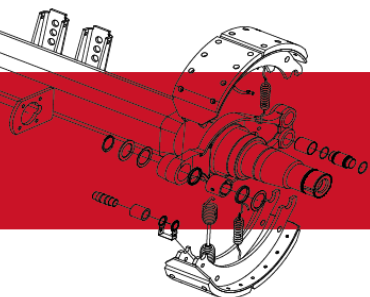


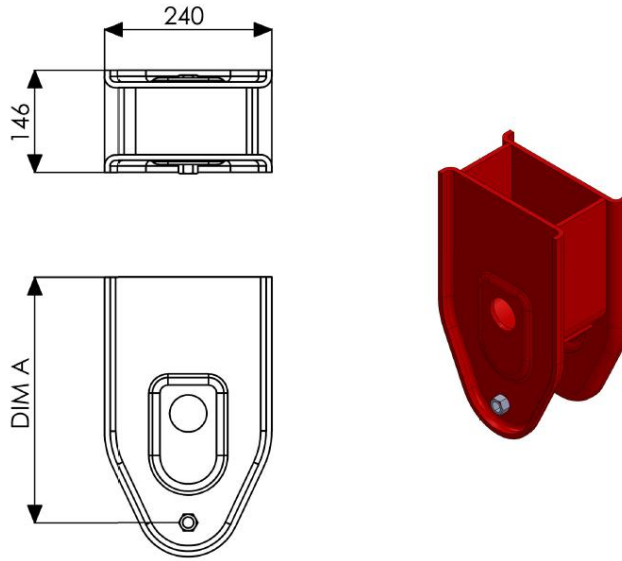
16T Centre Hanger



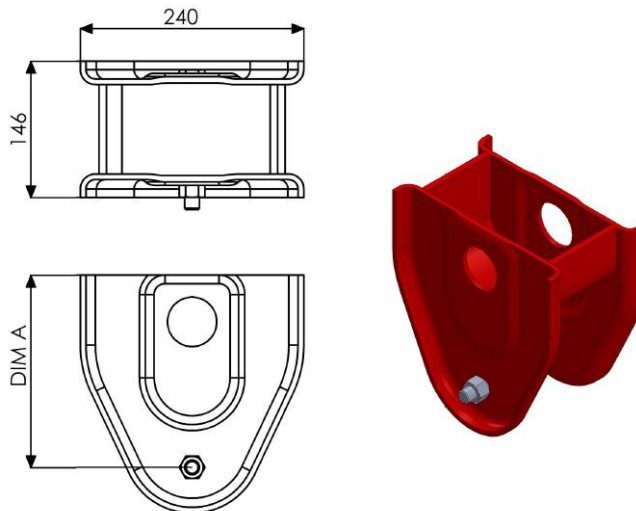
Part No.	Description	Dimension			Application
		"A"	"B"	"C"	
33214	Centre Equaliser Hanger 395mm Ride Height 1360mm Spread	376mm	460mm	560mm	Overslung
33215	Centre Equaliser Hanger 395mm Ride Height 1500mm Spread	376mm	600mm	700mm	Overslung

Centre Hanger Bolt – 33252
Centre Hanger Bolt Bush – 33250
560mm Balance Beam - 33251

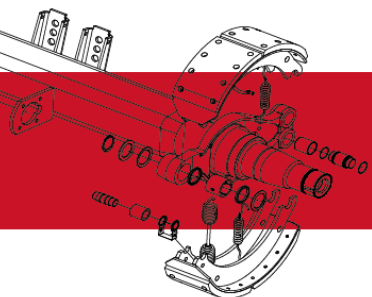




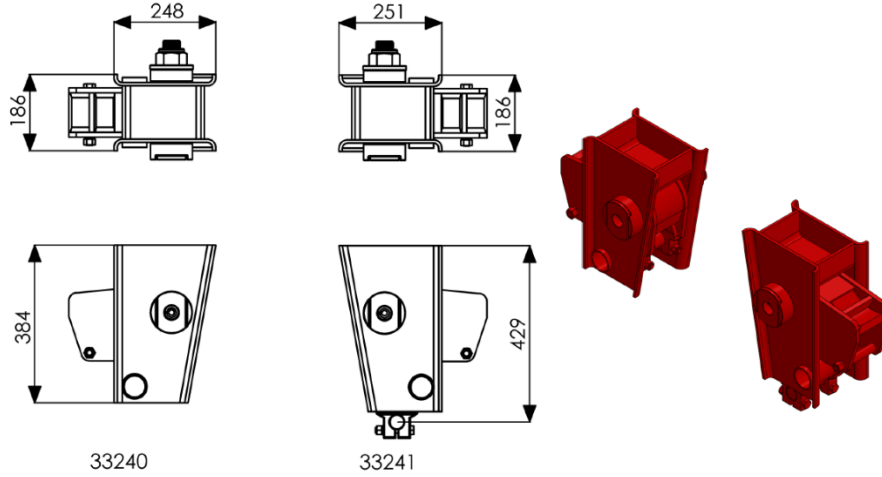
Part No.	Description	Dimension "A"	Application
33216	Rear Hanger 200mm Ride Height	351mm	Underslung
33222	Rear Hanger 250mm Ride Height	401mm	Underslung



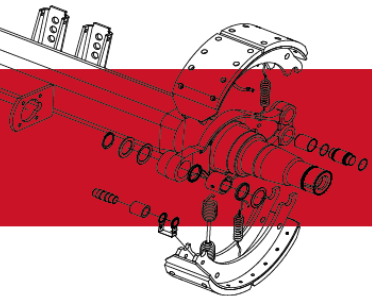
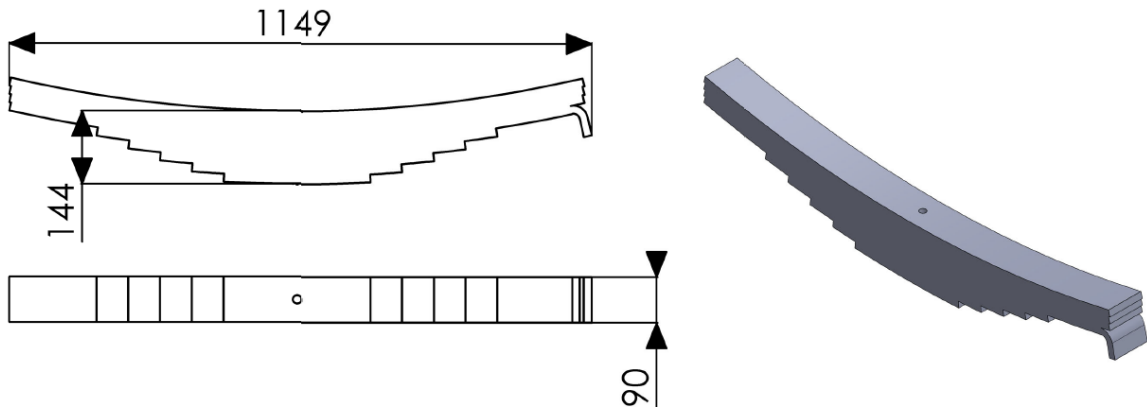
Part No.	Description	Dimension "A"	Application
33248	Rear Hanger 395mm Ride Height	206mm	Overslung
33242	Rear Hanger 444mm Ride Height	242mm	Overslung



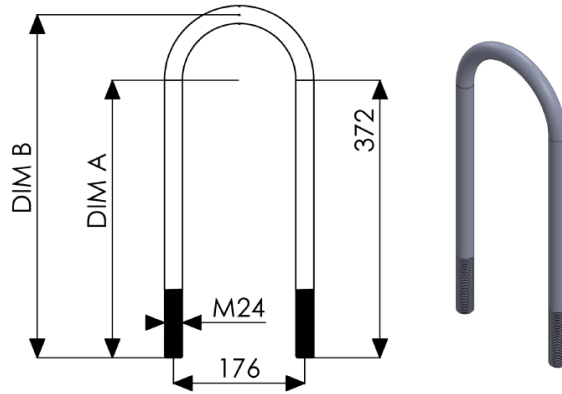
Wide Spread Centre Hangers 33240 33241



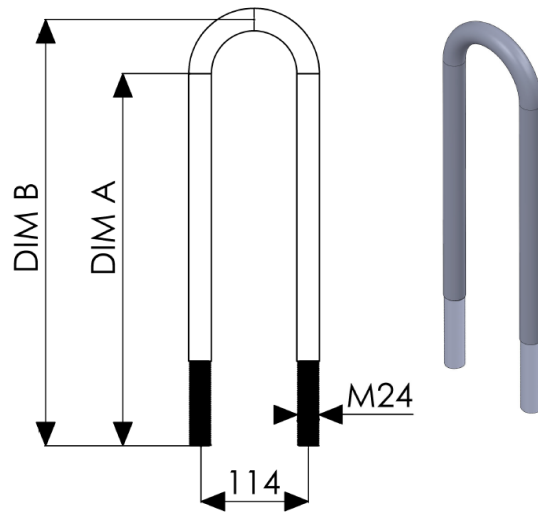
Spring – 9 Leaf 90mm wide spring 33211



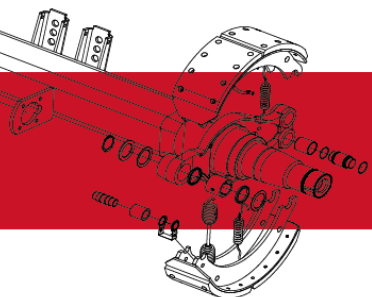
U Bolt



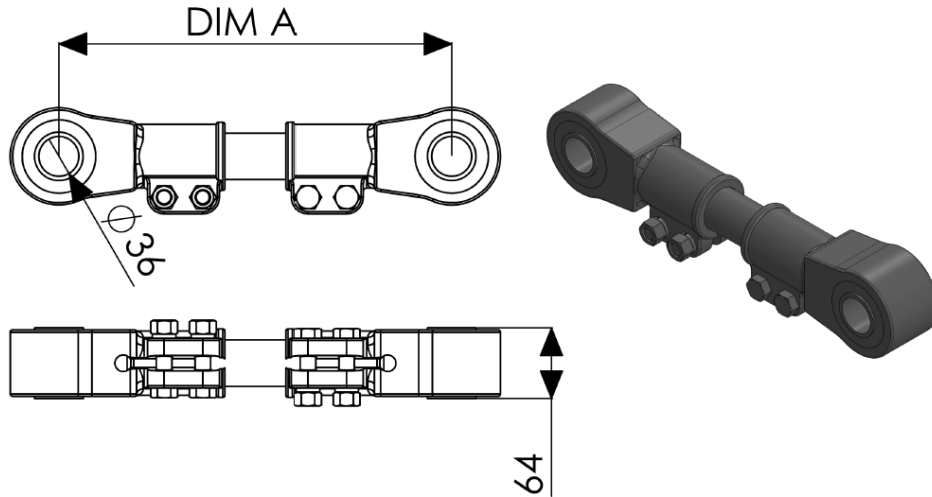
Part No.	Description	Dimension "A"	Dimension "B"
33217	Suspension U Bolt	372mm	460mm



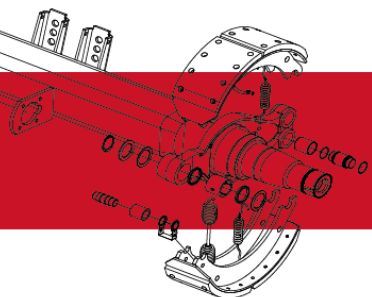
Part No.	Description	Dimension "A"	Dimension "B"
33207	Suspension U Bolt	396mm	453mm



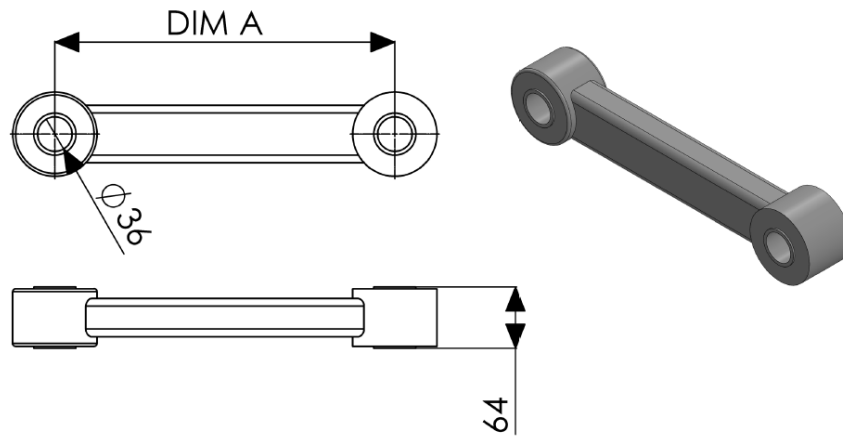
Adjustable Torque Arms



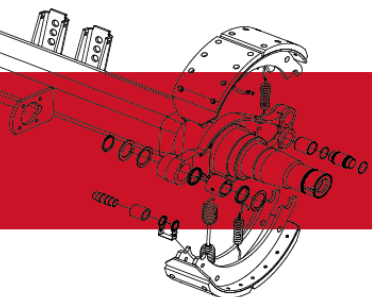
Part No.	Description	Dimension "A"	Threaded Bar Length
33204	Adjustable Torque Arm	355mm	220mm
33225	Adjustable Torque Arm	380mm	250mm
33226	Adjustable Torque Arm	385mm	250mm
33243	Adjustable Torque Arm	455mm	325mm
33227	Adjustable Torque Arm	485mm	350mm
33245	Adjustable Torque Arm	520mm	375mm
33203	Adjustable Torque Arm	540mm	415mm
33246	Adjustable Torque Arm	550mm	425mm
33228	Adjustable Torque Arm	555mm	425mm
33229	Adjustable Torque Arm	605mm	470mm
33230	Adjustable Torque Arm	620mm	485mm



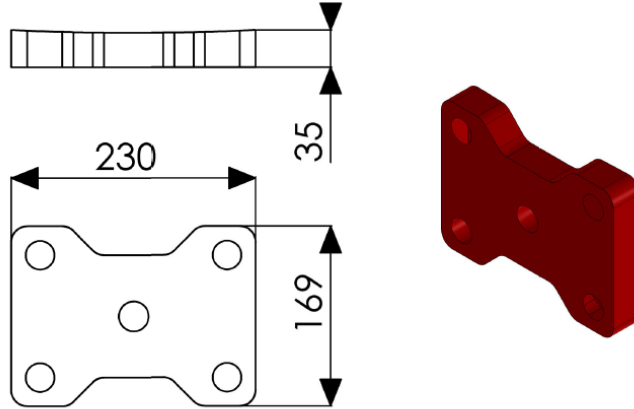
Fixed Torque Arms



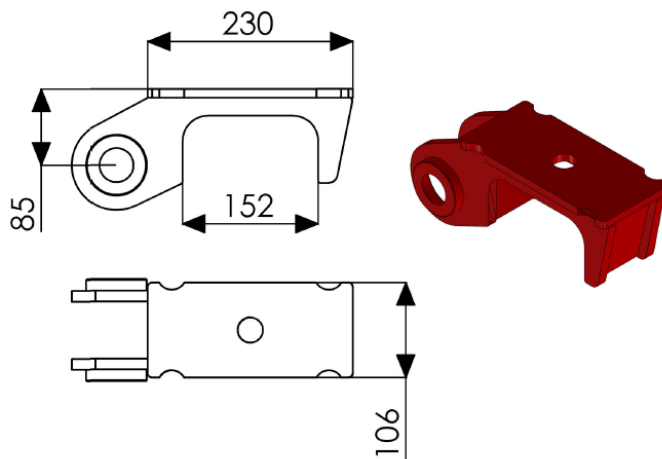
Part No.	Description	Dimension "A"
33205	Fixed Torque Arm	355mm
33231	Fixed Torque Arm	380mm
33232	Fixed Torque Arm	385mm
33244	Fixed Torque Arm	455mm
33233	Fixed Torque Arm	485mm
33206	Fixed Torque Arm	540mm
33247	Fixed Torque Arm	550mm
33234	Fixed Torque Arm	555mm
33235	Fixed Torque Arm	605mm
33236	Fixed Torque Arm	620mm



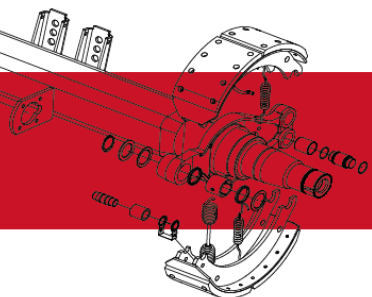
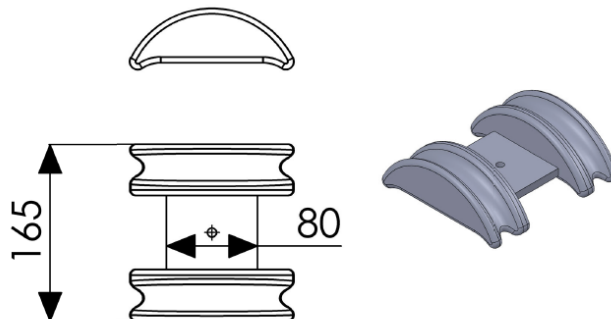
Underslung Clip Plate 33218



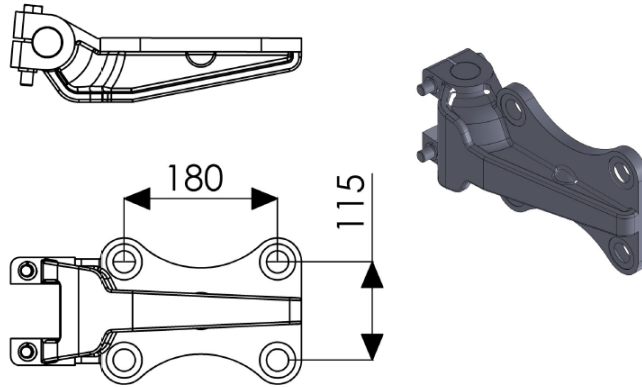
Underslung Axle Seat 33249



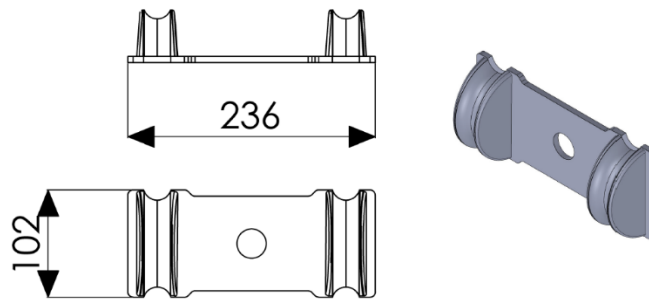
Underslung U Bolt Segment 33219



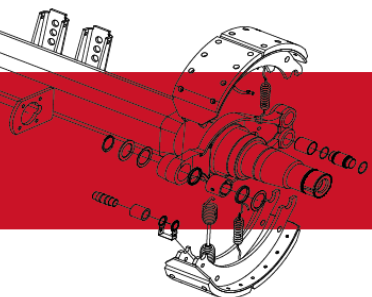
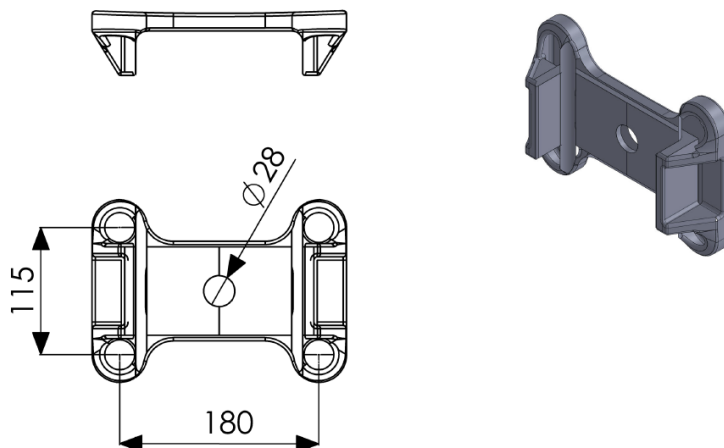
Overslung Clip Plate 33210



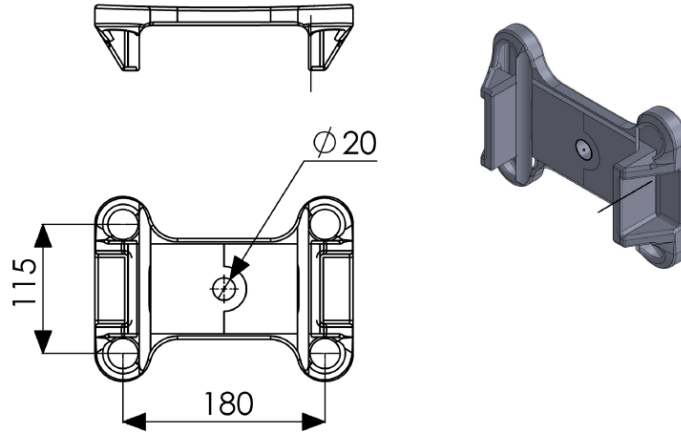
Overslung U Bolt Segment 33209



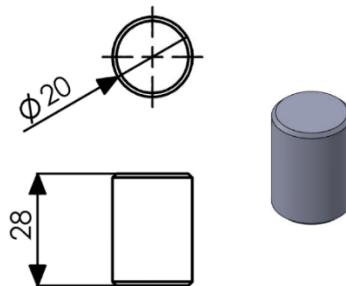
Overslung Axle Top Plate 96464



Overslung Axle Bottom Plate 96465



Clamp Locating Stud 33238



We reserve the right to make changes to specifications or to make improvements to the products in this catalogue without prior notice. We are not responsible for inaccuracies or omissions.

