

AXLE + SUSPENSION + TYRES CASE 6

SUSPENSION 97674
 TANDEM 1510mm SPREAD 3 LEAF 100mm WIDE OVERSLUNG
 UNLADEN RIDE HEIGHT 380mm

60183 AXLES 2045mm TRACK 420x180 BRAKE
 618mm CAMSHAFT, METRIC SINGLE M22, 10 STUD

60183AS2 STEER AXLE HYDRAULIC LOCK

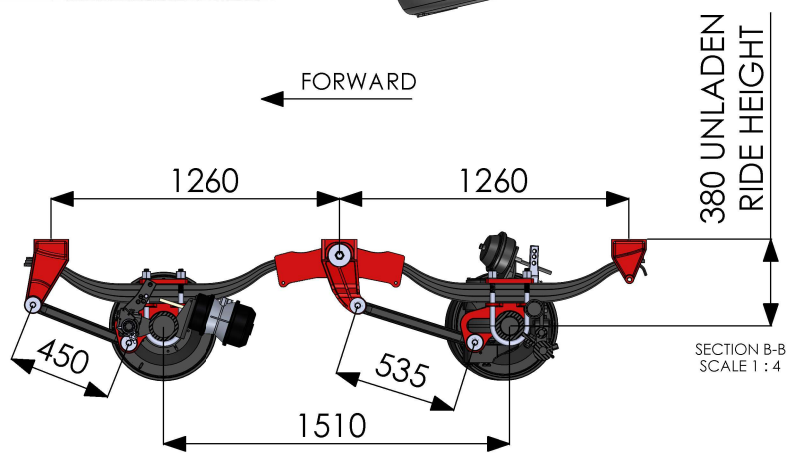
TANDEM SUSPENSION RATED TO 26,000Kg
 AXLE RATING DEPENDENT ON SPEED AND SUSPENSION CENTRES

TYPE 24/30 AND TYPE 24 CHAMBER SHOWN
 AUTOMATIC SLACK ADJUSTERS, 38mm OFFSET ON STEER AXLE

TYRES SHOWN 560 60 R22.5

OTHER TRACKS, CAMSHAFT LENGTHS, SUSPENSION CENTRES AVAILABLE

CAN BE SUPPLIED LOOSE OR FULLY WELDED AND PAINTED



GRANNING LTD CLAIMS PROPRIETARY RIGHTS TO ALL THE INFORMATION DISCLOSED ON THIS DRAWING. IT IS NOT TO BE REPRODUCED OR USED FOR MANUFACTURE OR FOR ANY OTHER PURPOSE OR DISCLOSED TO ANY THIRD PARTY WITHOUT OUR WRITTEN PERMISSION.		DO NOT SCALE DRAWING	REVISION A	SHEET 1 OF 1
DEBURR AND BREAK SHARP EDGES				
		NAME	DATE	
		DRAWN	25/2/2021	
		CHK'D	25/2/2021	
		APP'VD	XXXXXX	XXXXXX
UNLESS OTHERWISE SPECIFIED: DIMENSIONS ARE MILLIMETERS				
LINEAR: NO DECIMALS- X +/-1mm				
ONE DECIMAL- X.X +/-0.5mm				
TWO DECIMALS- X.XX +/-0.2mm				
ANGULAR: 3 Degrees X.XX +/-0.2mm				
A	INITIAL RELEASE	25/2/2021		
REV	DCN	DATE	QUALITY CHECKS CARRIED OUT ON DIMENSIONS IN <input type="checkbox"/> BOXES.	
		GRANNING LYNX.COM GRANNINGAXLES.IE		
TITLE:				
DWG NO. CASE STUDY 6				