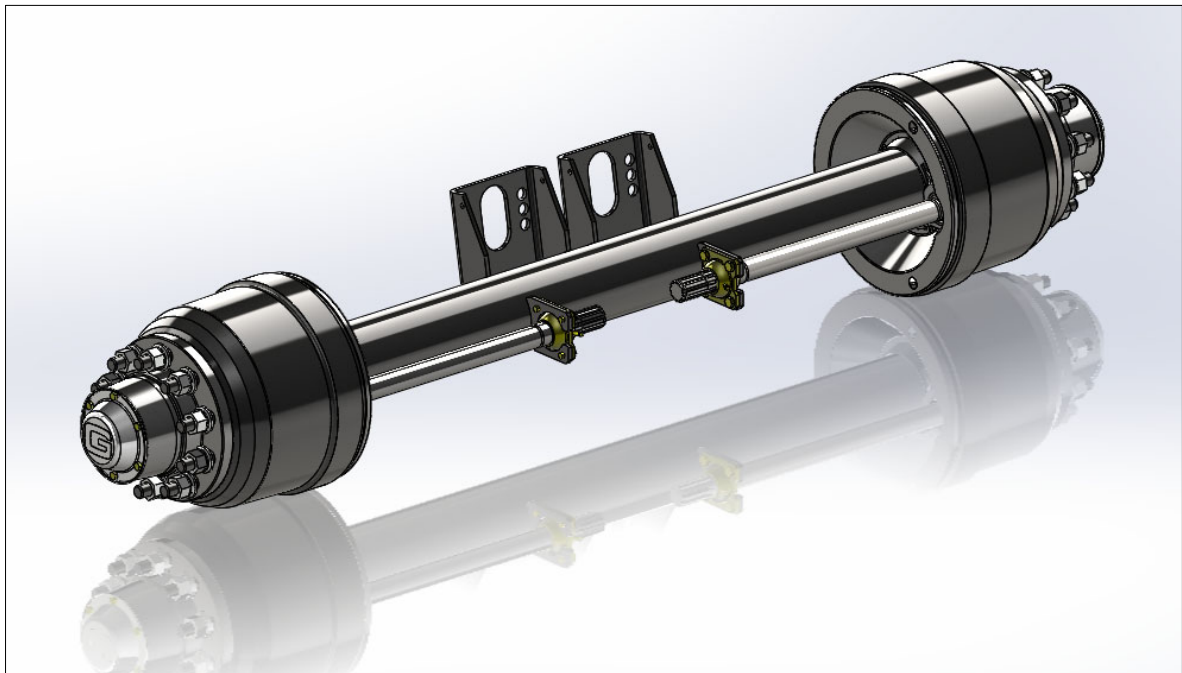


310 x 190 – 300 “A” SERIES AXLE – TWIN BEARING



300 series axle is TUV tested to 11000Kg, please see website for test report.

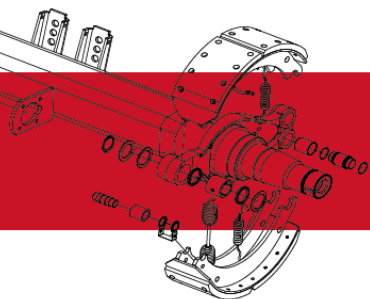
225mm PCD 10 stud M22 hub and drum. 173mm hub pilot.

Available in single wheel stud.

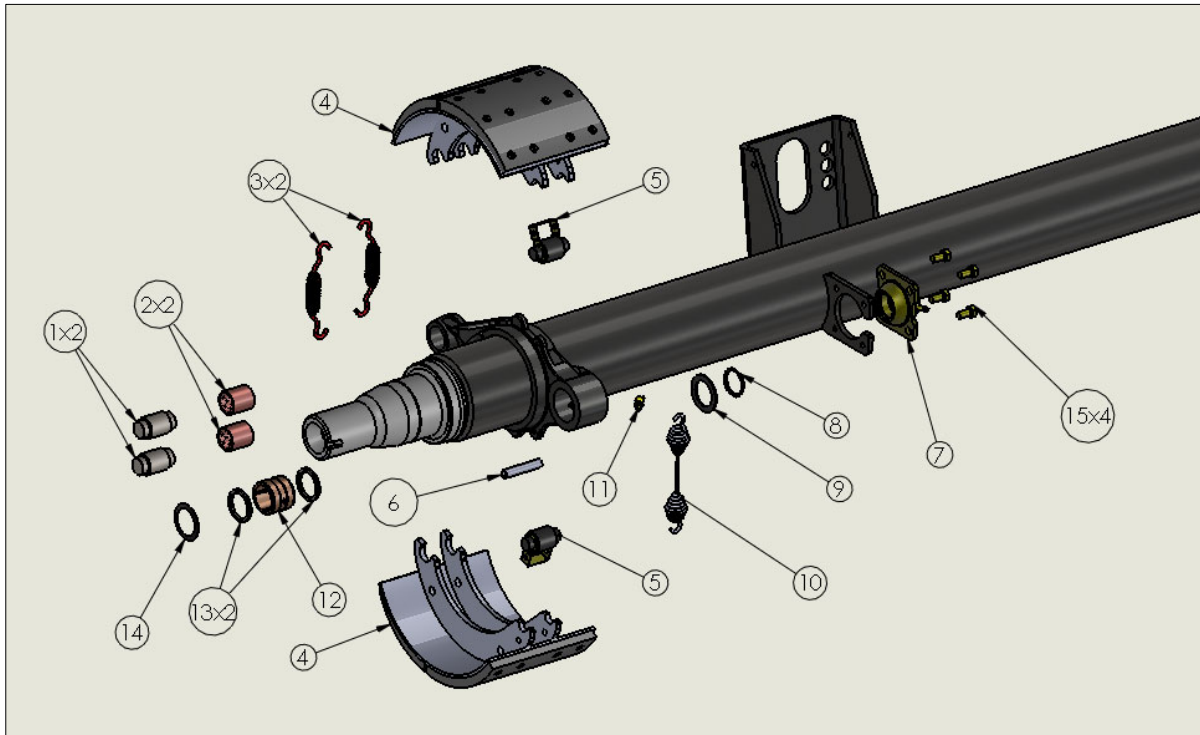
10 spline camshaft

Service manual available on website

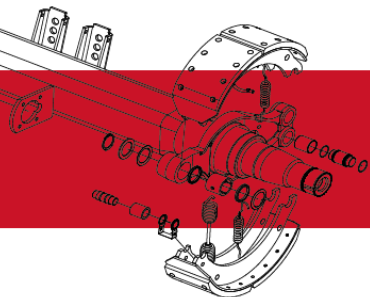
Please see following pages for part identification



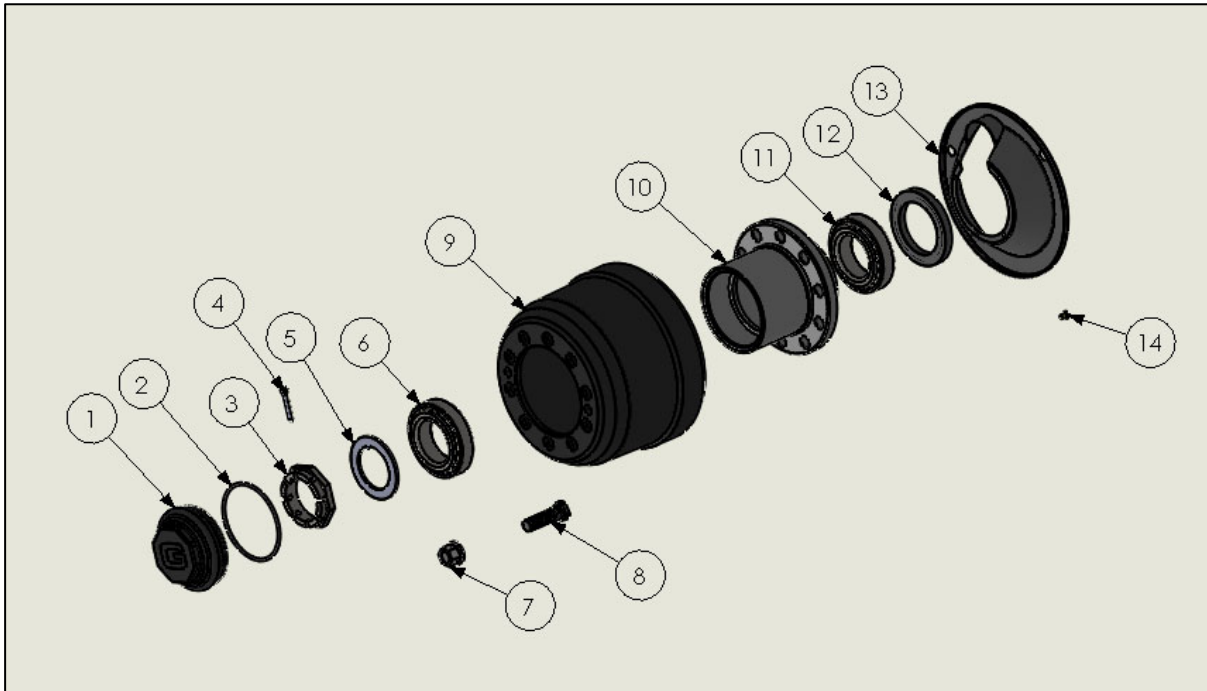
310 x 190 – 300 “A” Series Quick Fit Brake Assembly



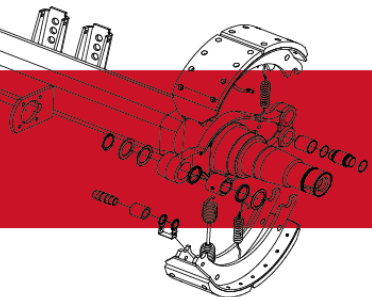
Item	Description	Part No.	QTY per Axle
1	Anchor Pin	61171	4
2	Bush Anchor Pin	61200B	4
3	Brake Shoe Retaining Spring	61141	4
	Brake Shoe Assembly	61542GA	4
(4)	Brake Shoe (GLAT26-29)	61542G	(4)
(5)	Retainer Cam Roller		(4)
	One Piece Cam Roller		(4)
6	Spring Fixing Pin		(4)
7	Camshaft Spherical Bearing	61080	2
8	Circlip	61120	2
9	Support Washer Camshaft	61058	2
10	Spring Return	61661	2
11	Greaser 1/8 NPT x 45°	61110	2
12	Camshaft Sintered Bush	61055	2
13	Camshaft Grease Seal	61056	4
14	Camshaft Beveled Washer	61057	2
15	M10 x 20 Screw	61359	8



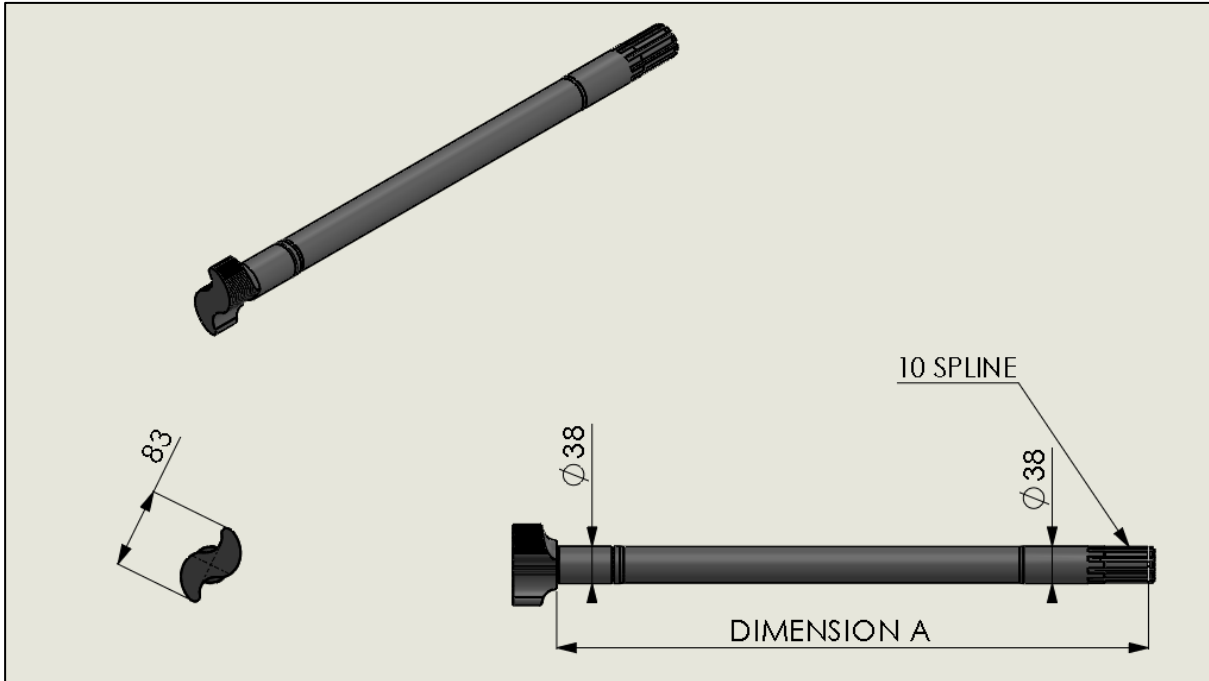
310 x 190 – 300 “A” Series Twin Bearing Hub/Drum Assy.



Item	Description	Part Number	QTY per Axle
1	Hub Cap	61334	2
2	Hub Cap Seal	20001A	2
3	Spindle Castle Nut	61314	2
4	Hub Cap Split Pin	20059A	2
5	Spindle Washer	20058	2
6	Outer Bearing	20002	2
7	ISO Wheel Nut	61381Z	20
	DIN Wheel Nut	61411	20
	DIN Nut outer washer	61372	20
	DIN Nut inner washer	61371	20
8	Wheel Bolt – Single (89mm)	61366A	20
	Wheel Bolt – Twin (94mm)	-	20
9	External Drum	61530	2
10	Hub	61548	2
11	Inner Bearing	20002	2
12	Hub Seal	20013	2
13	Dust Cover	61620	2
14	Dust Cover Bolt (M8 x 16) (Flange nut or spring washer)	61358F	12



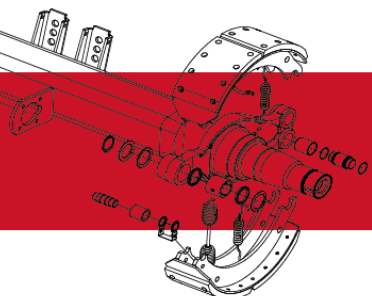
310 x 190 – 300 “A” Series Camshaft Parts List



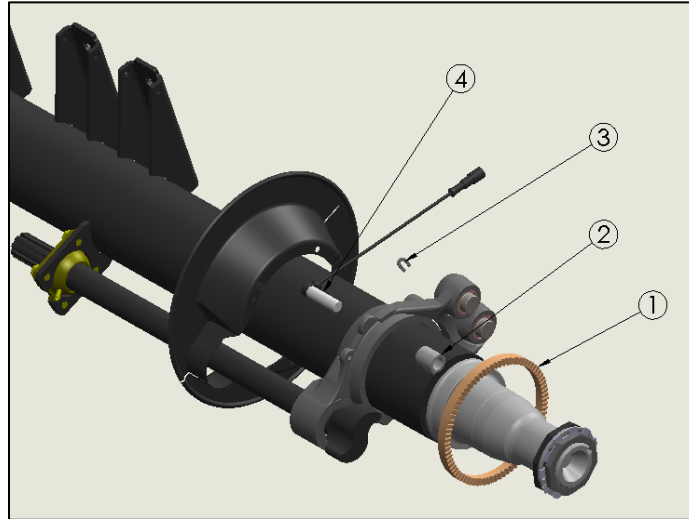
Item	Description (DIM A)	Part No.
1	Left Hand Small Head (175mm)	61154
2	Right Hand Small Head (175mm)	61153
3	Left Hand Small Head (212mm)	61591
4	Right Hand Small Head (212mm)	61601
5	Left Hand Small Head (519mm)	61595
6	Right Hand Small Head (519mm)	61605
7	Left Hand Small Head (610mm)	61596
8	Right Hand Small Head (610mm)	61606

Camshaft lengths are measured from under head to the centre of last circlip groove.

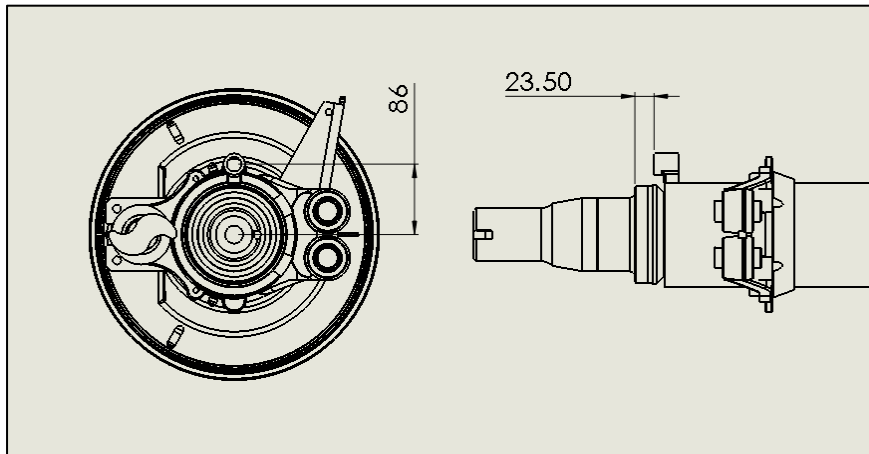
The illustrated camshaft is a right hand camshaft. When looking at the head of the camshaft a right hand cam is Z shaped and a left hand is S shaped



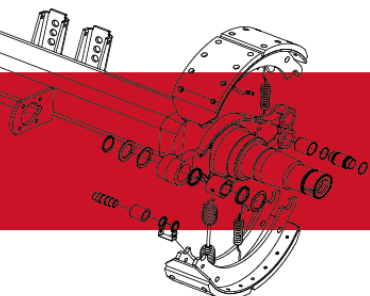
310 x 190 – 300 “A” Series ABS/Anti-Lock Assembly



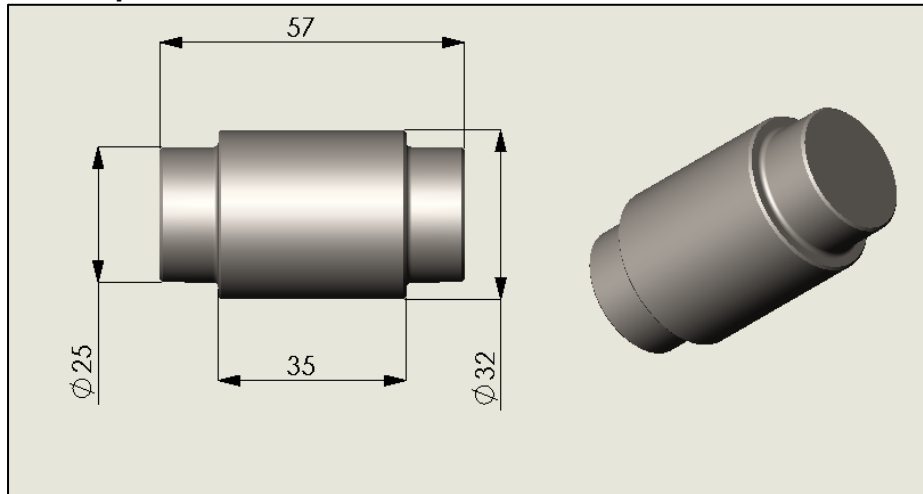
Item	Description (DIM A)	Part No.
1	Pole Wheel (80 tooth)	61787
2	Sensor Block	61781
3	Dust Cover Grommet	61557
4	90° Sensor Lead & Bush	61790



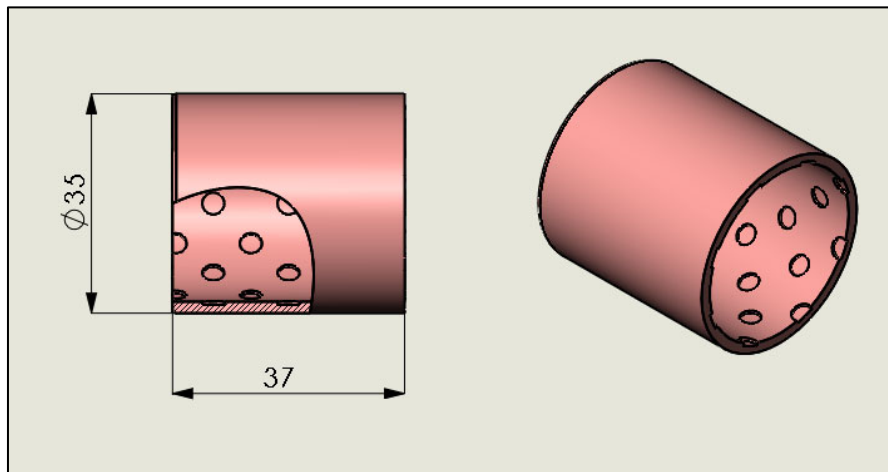
Centre of the ABS sensor is 86mm from centre of the axle
 Face of sensor block 23.5mm from large bearing shoulder
 Weld on ABS block (as shown above) is positioned 90 degrees to camshaft.



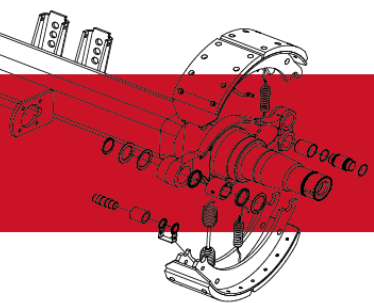
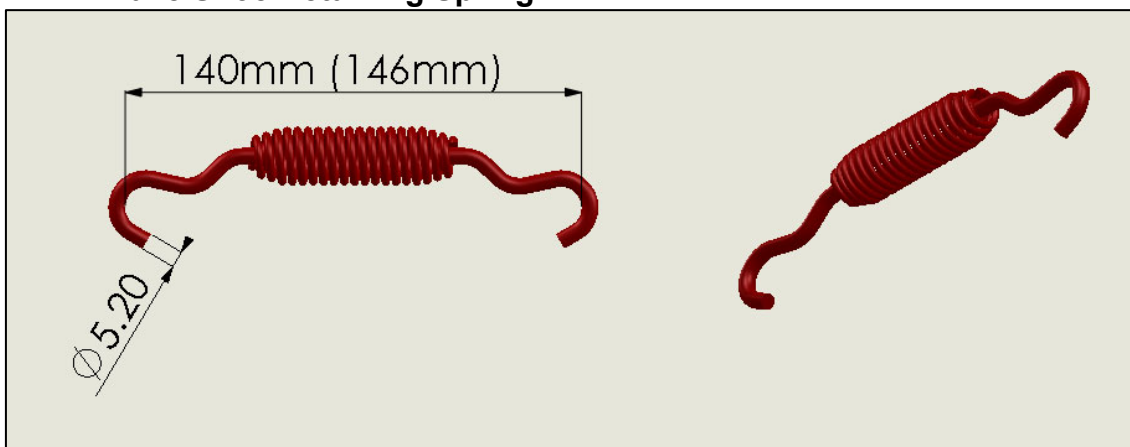
61171 – Anchor pin



61200B – Bush Anchor Pin



61141 – Brake Shoe Retaining Spring

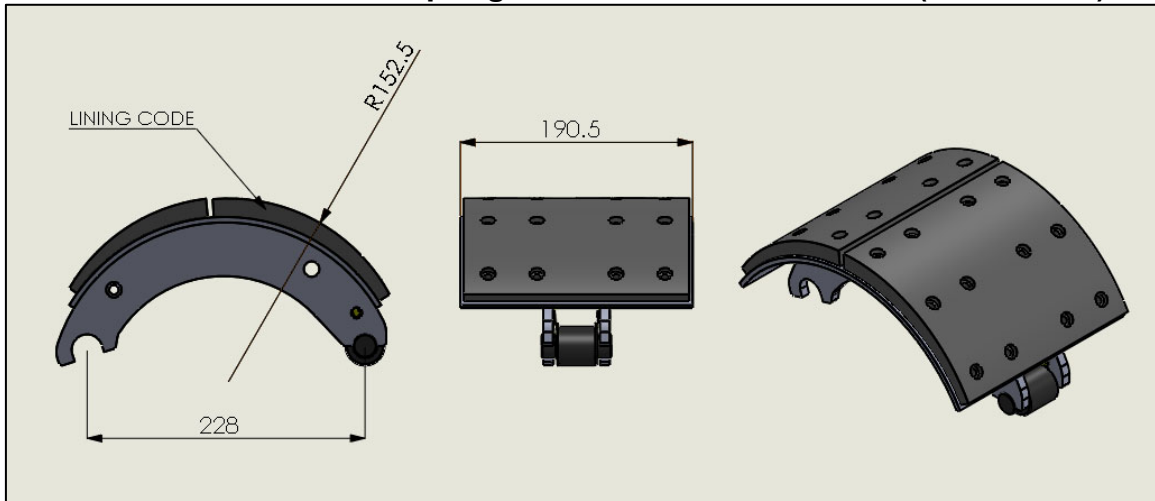




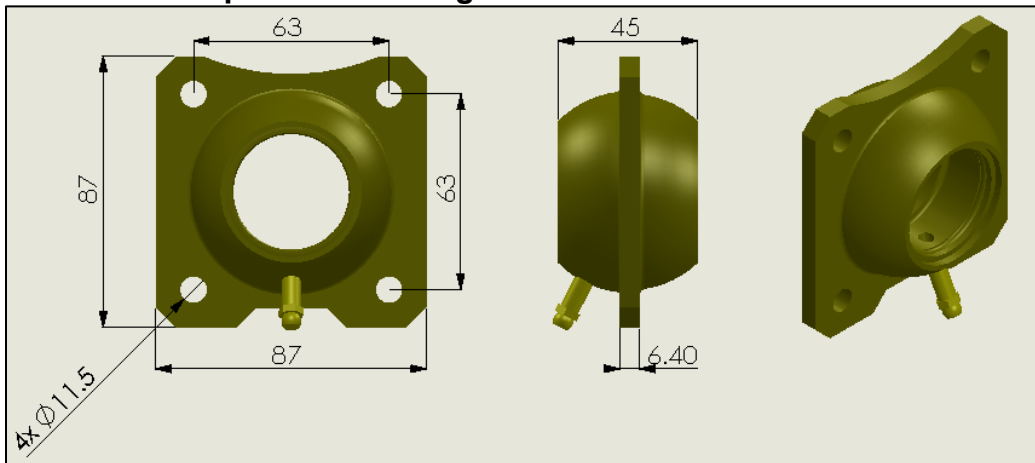
granning

axle and suspension solutions

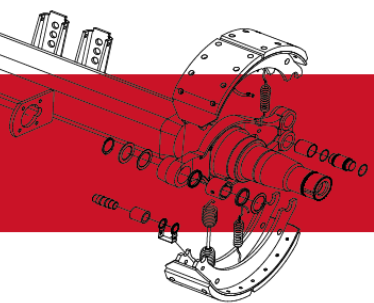
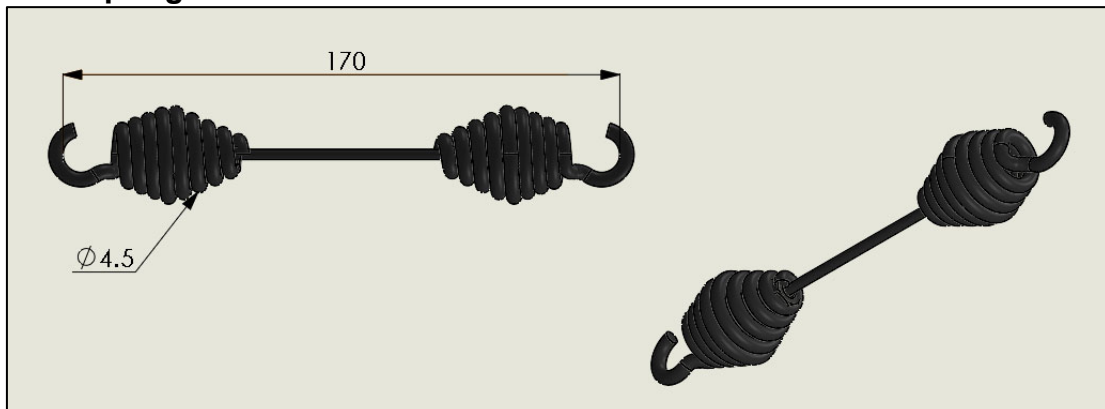
61542GA – Brake shoe with spring anchor bar and cam roller (GLAT26-29)



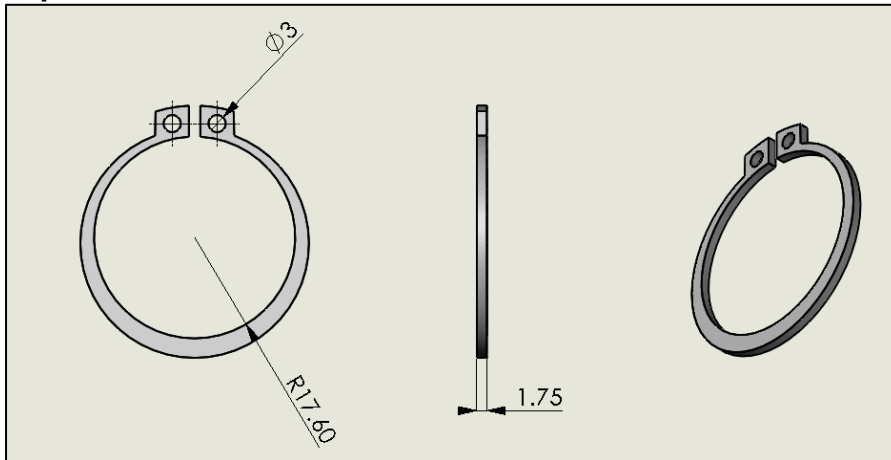
61080 – Camshaft Spherical Bearing



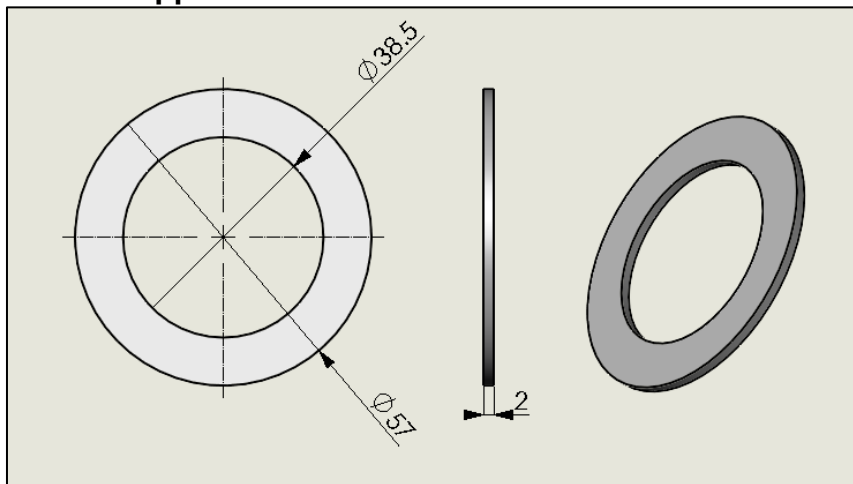
61661 – Spring Return



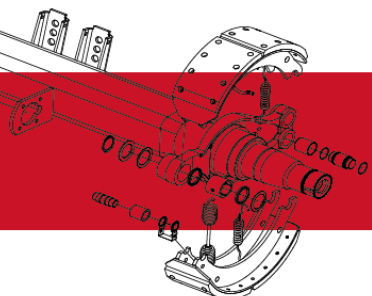
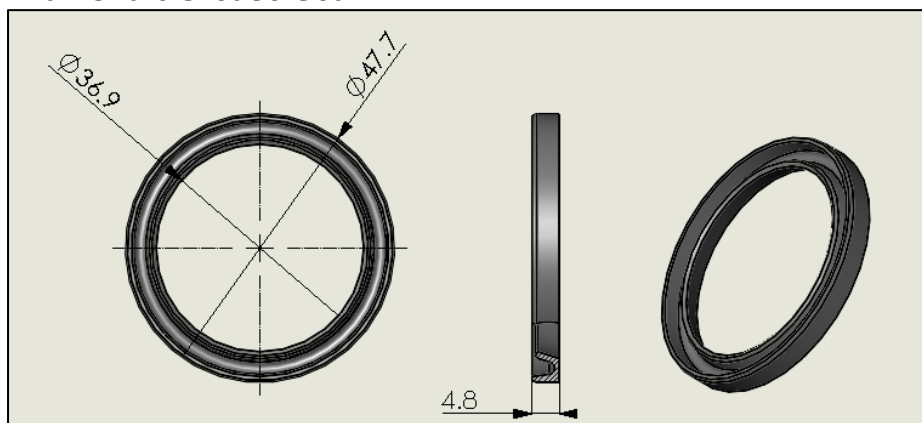
61120- Circlip



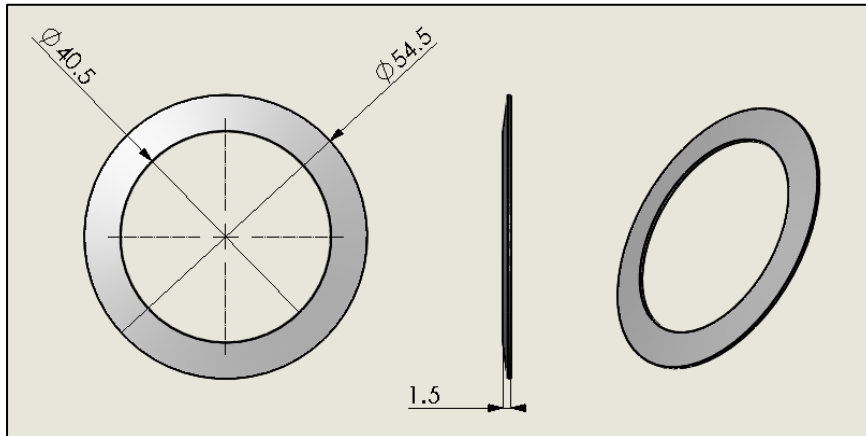
61058 – Camshaft Support Washer



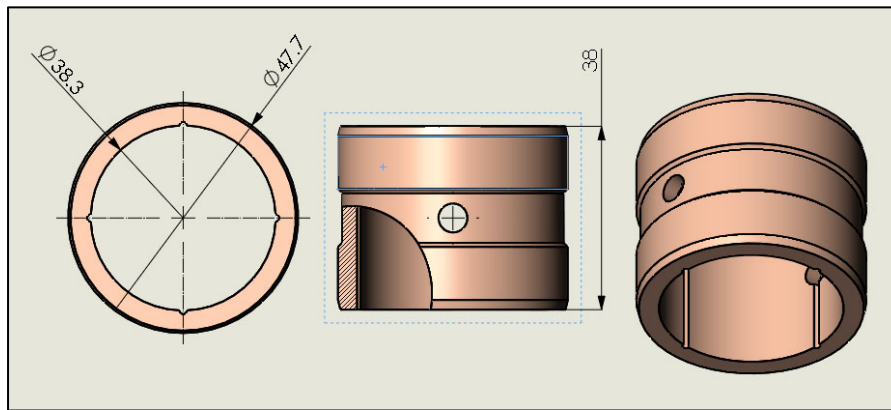
61056 – Camshaft Grease Seal



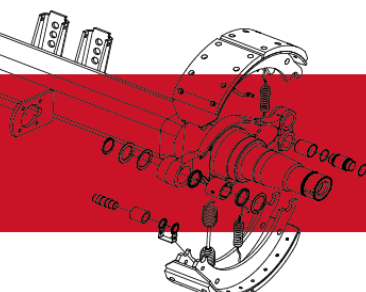
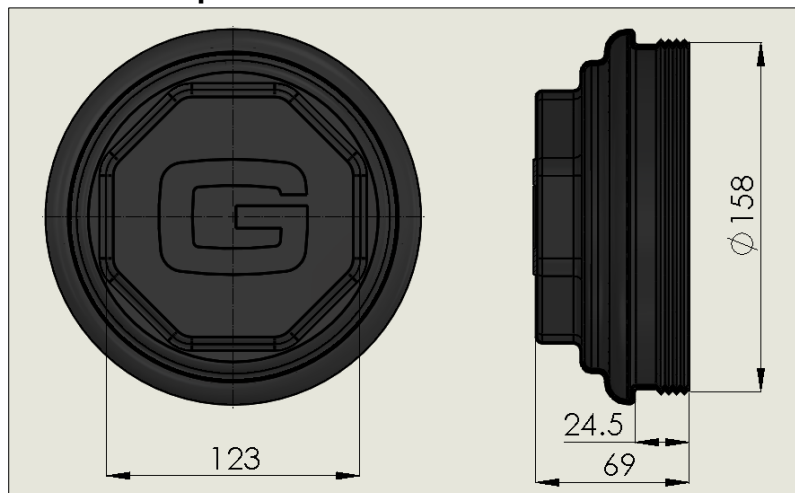
61057 – Camshaft Beveled Washer



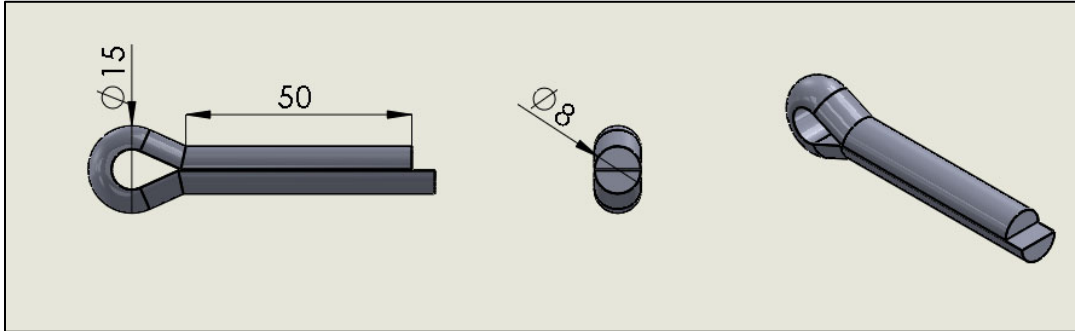
61055 – Camshaft Sintered Bush



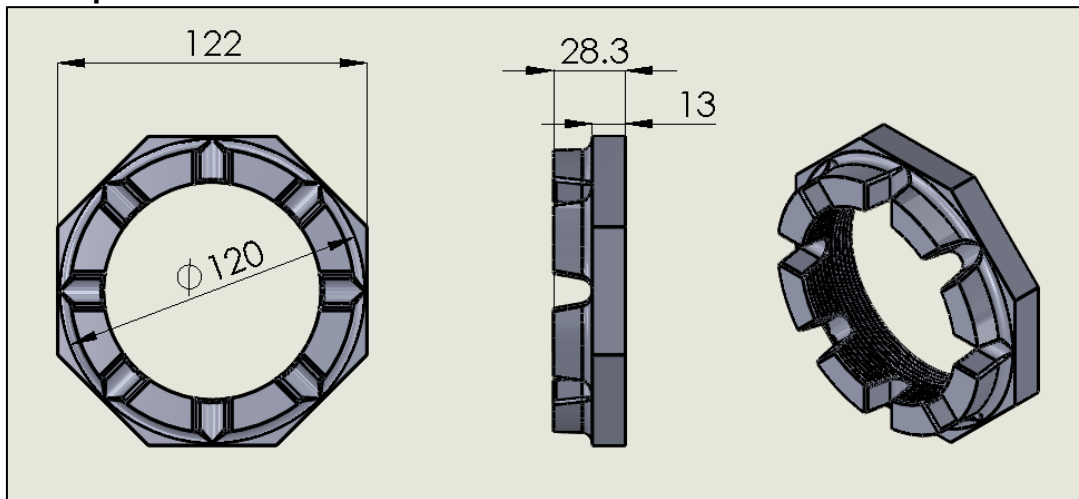
61334 – 'G' Screw Hub Cap



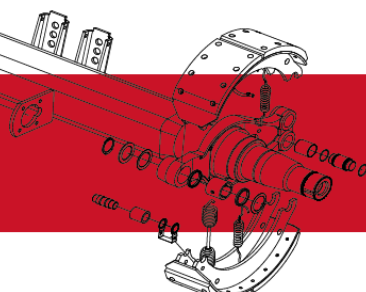
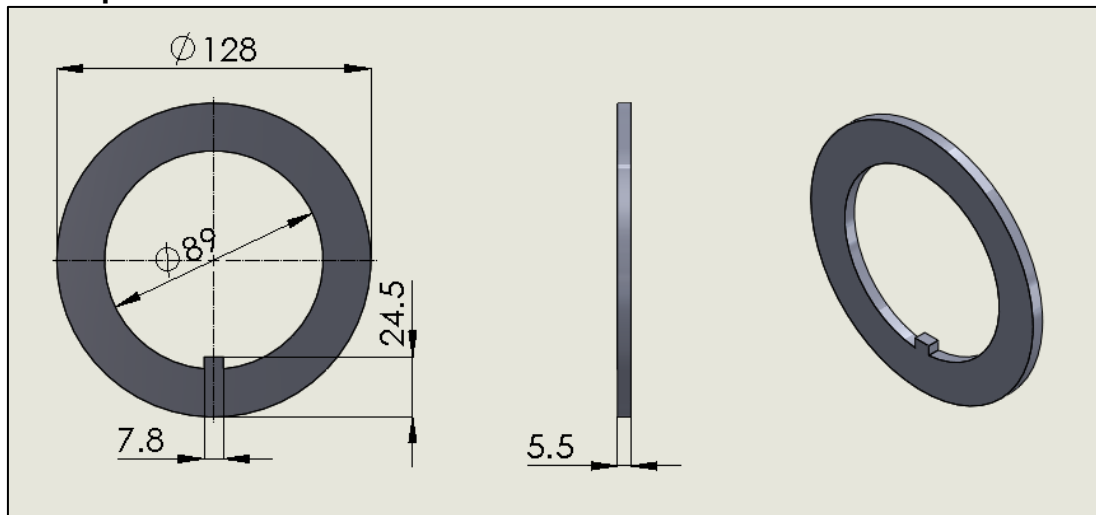
20059A – Spindle Split Pin



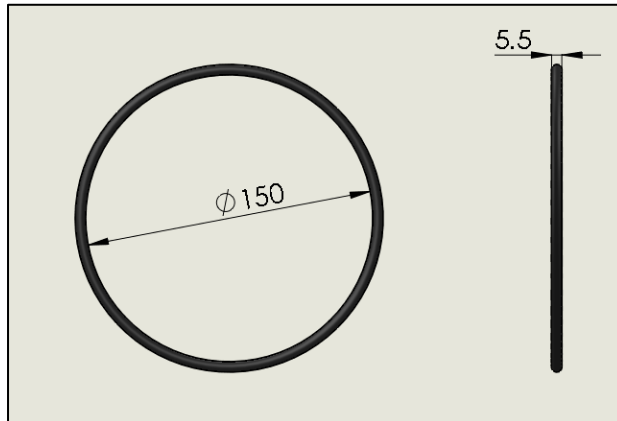
61314 – Spindle Castle Nut



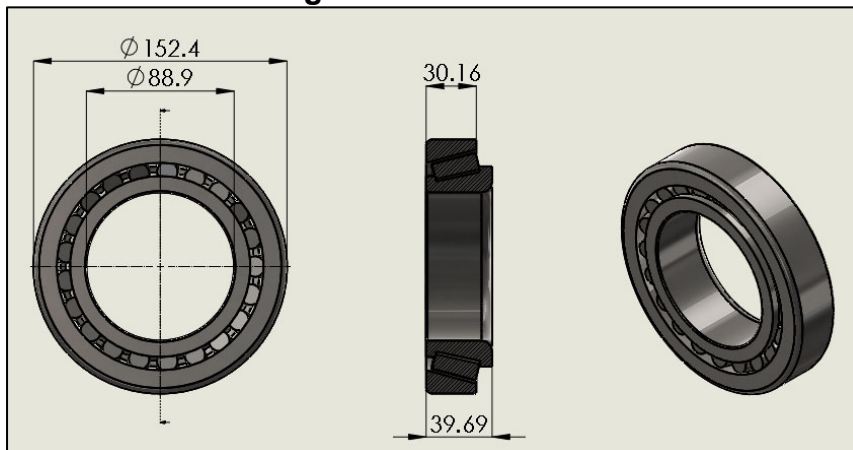
20058 – Spindle Washer



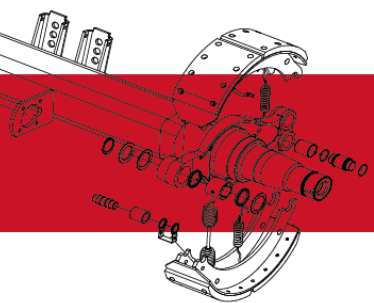
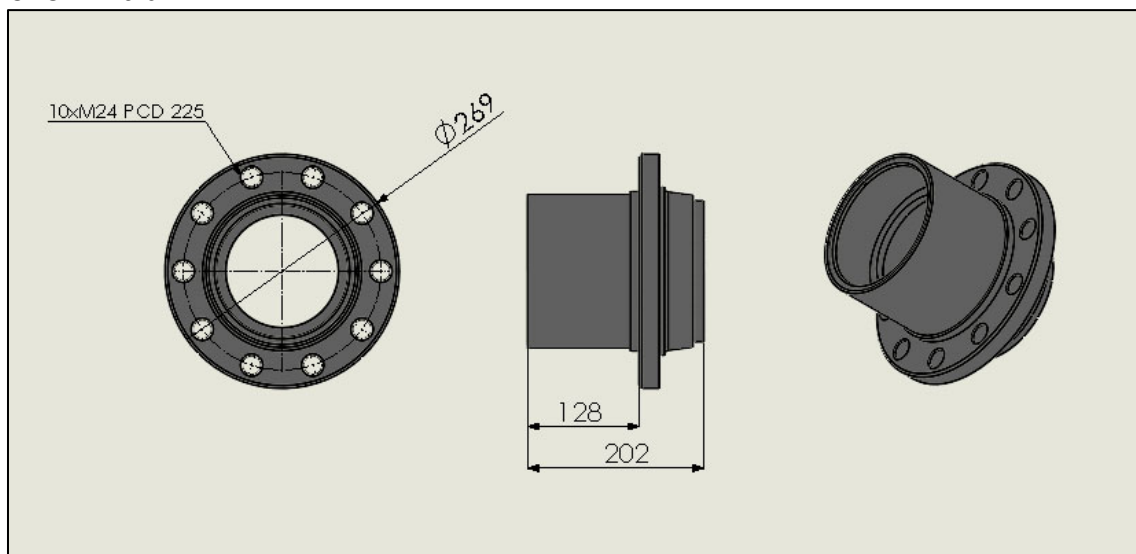
20001A – Hub Cap Seal



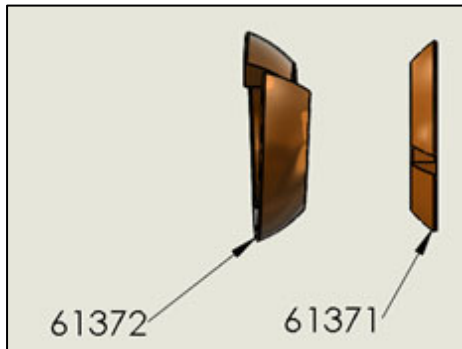
20002 – Inner and Outer Bearing



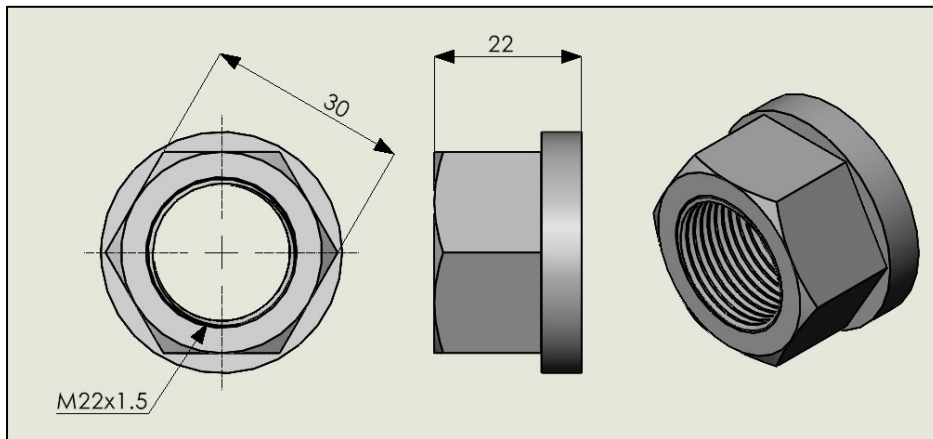
61548 – Hub



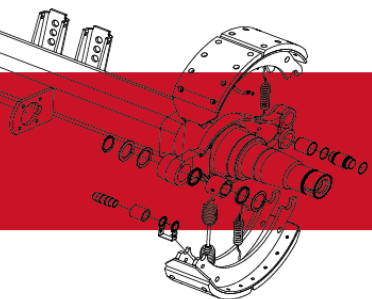
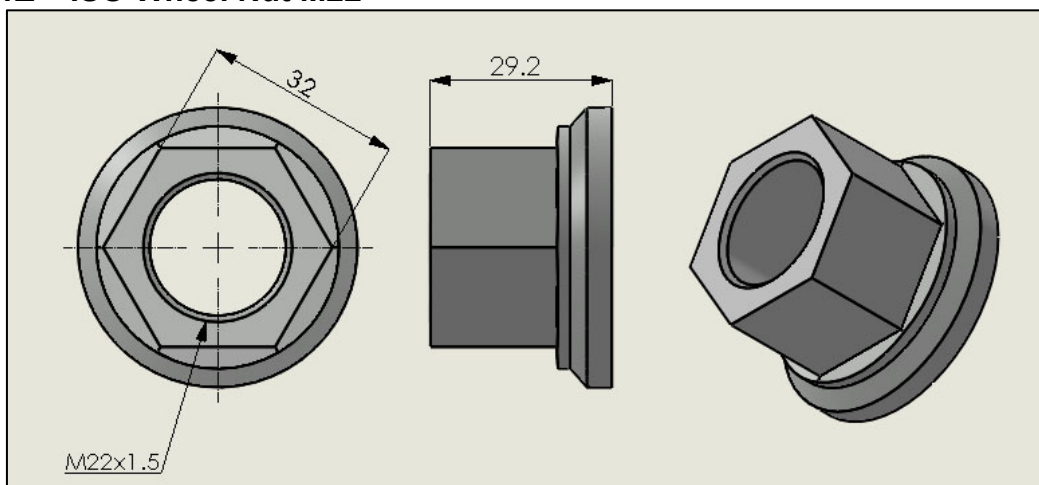
61372 61371 – M22 DIN Washers



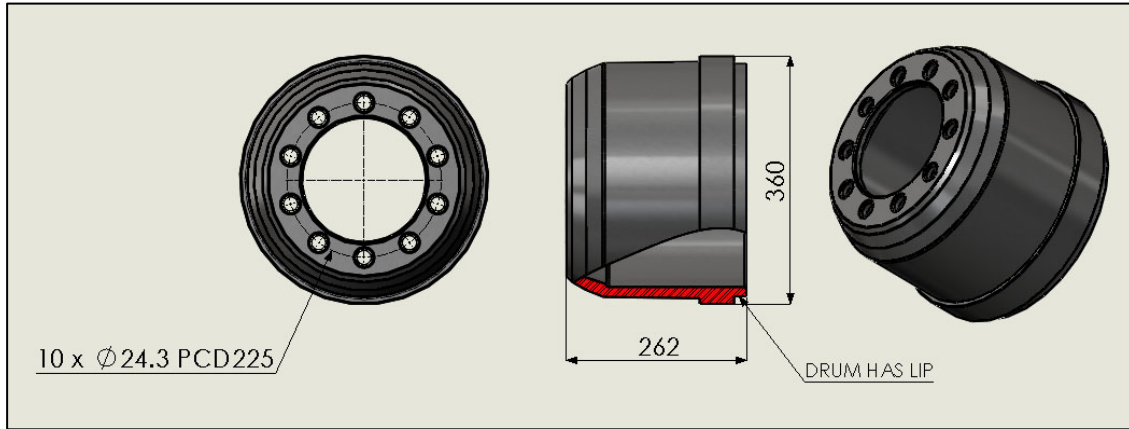
61411– DIN Wheel Nut M22



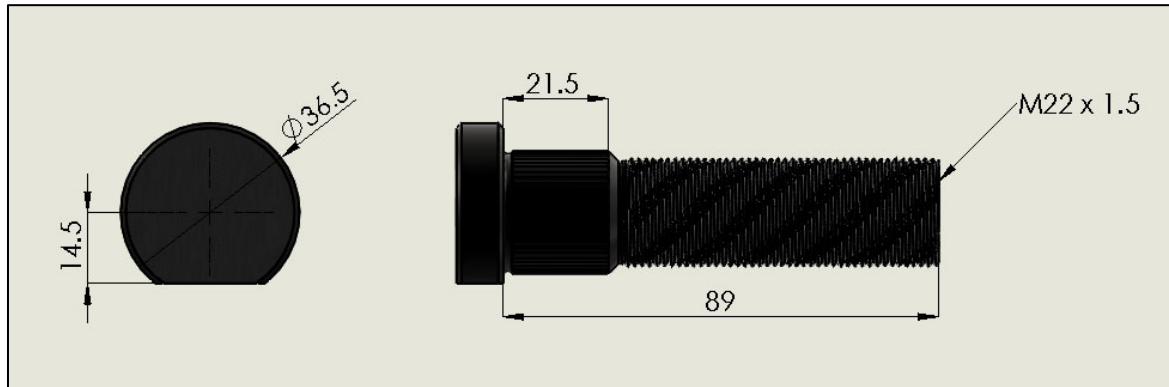
61381Z – ISO Wheel Nut M22



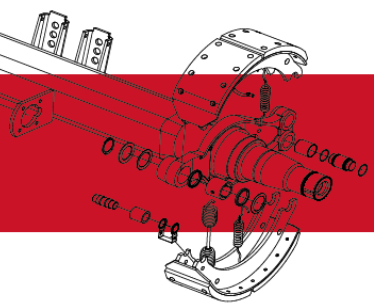
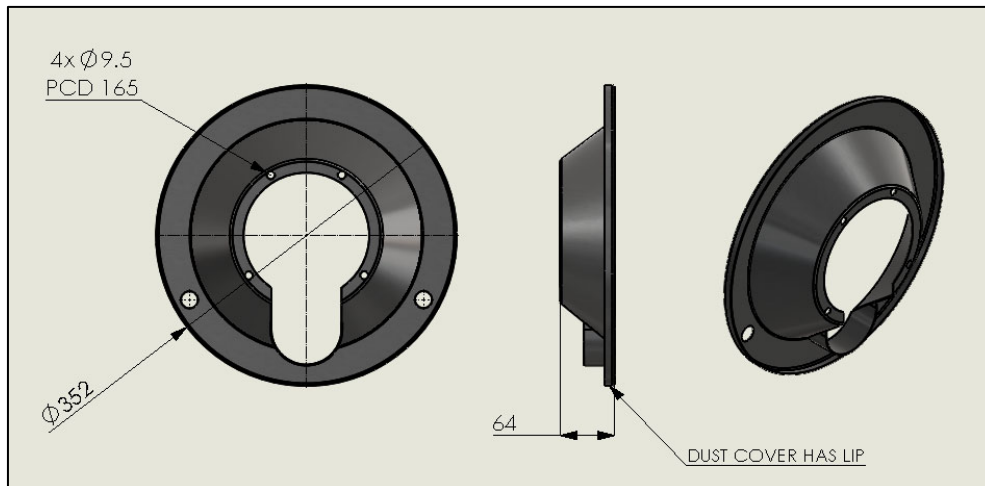
61530 – Brake Drum



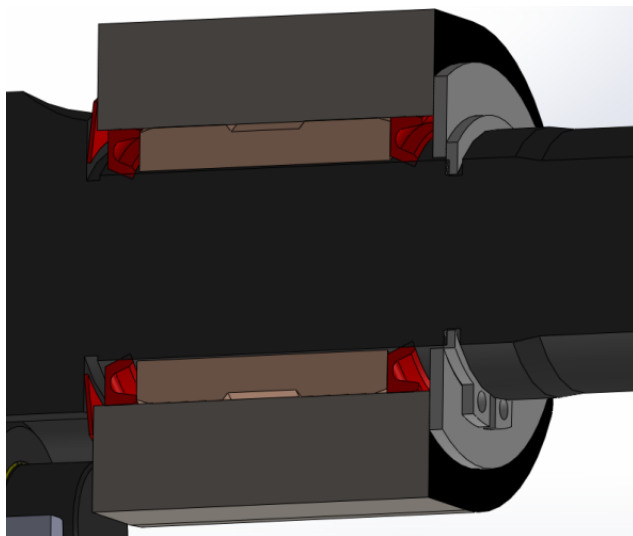
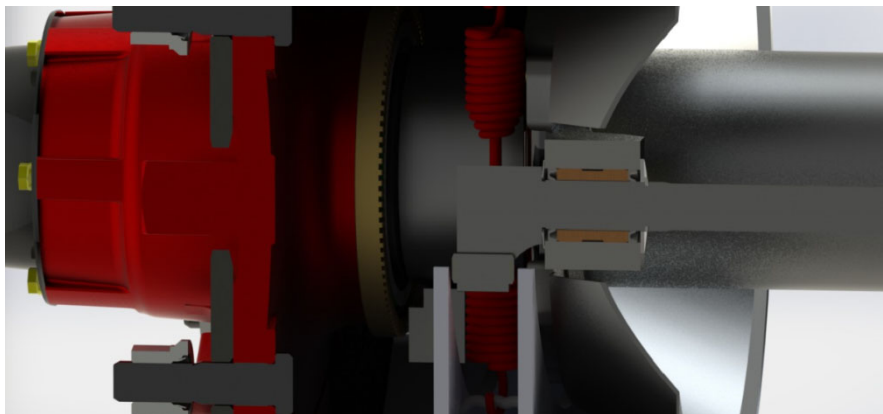
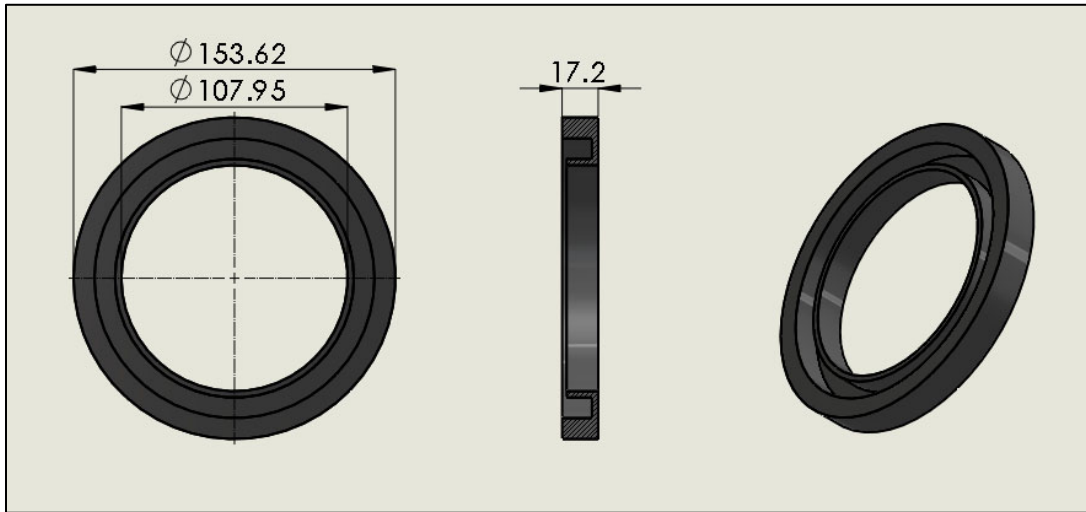
61366A – Wheel Bolt



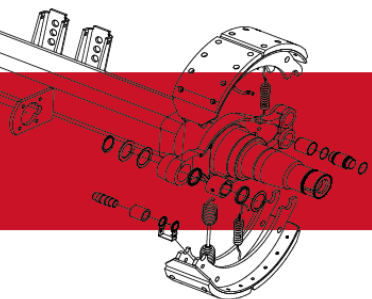
61620 – Dust Cover



20013 – Hub Seal

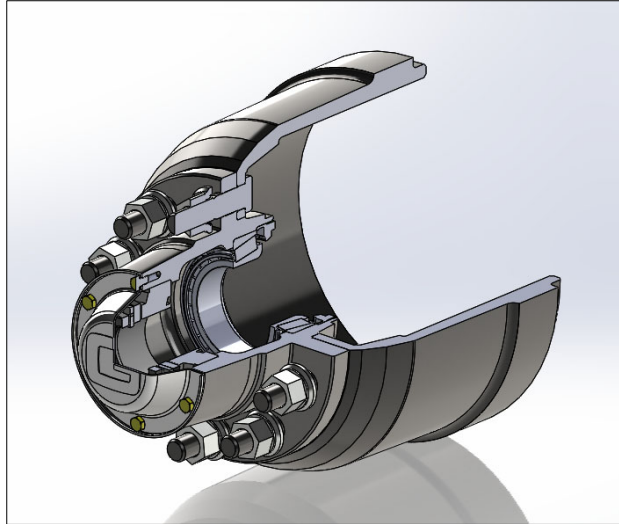


The direction of the grease seals in the anchor bracket is important as well as the position of the beveled washer between the anchor bracket and camshaft head.



Ordering Of Sub-Assemblies

It is possible to order sub-assemblies of parts from Granning rather than ordering individual parts.



71008 – Single Wheel Stud Hub and Drum Assembly 71008W – 71008 with 1 x 80 tooth pole wheel 61787

Part Number	Quantity	Description
61530	1	Drum
61548	1	Hub
20002	2	Twin bearing
20013	1	Grease Seal
61366A	10	Single wheel stud
61381Z	10	ISO wheel nut

61081 – Camshaft Bush Kit

Part Number	Quantity	Description
61080	1	Spherical bearing
61055	1	Camshaft sintered bush
61056	2	Camshaft grease seal
61057	2	Beveled camshaft washer
61058	2	Camshaft support washer
61120	2	Camshaft circlip

We reserve the right to make changes to specifications or to make improvements to the products in this catalogue without prior notice. We are not responsible for inaccuracies or omissions.

