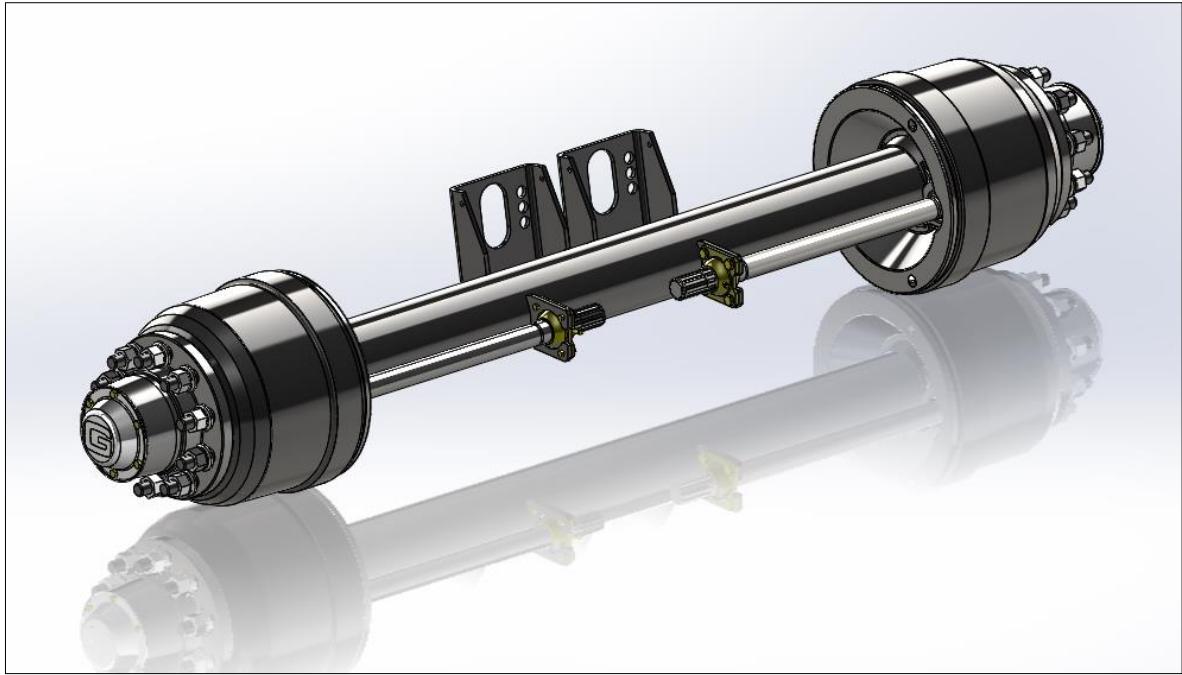


## 310 x 190 – 300 “A” SERIES AXLE



**300 series axle is TUV tested to 11000Kg, please see website for test report.**

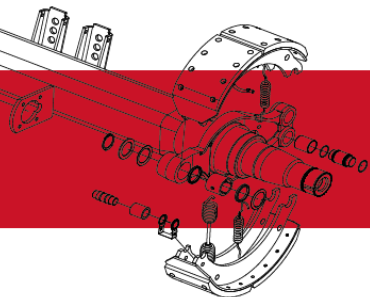
**225mm PCD 10 stud M22 hub and drum. 173mm hub pilot.**

**Available in single and twin wheel stud.**

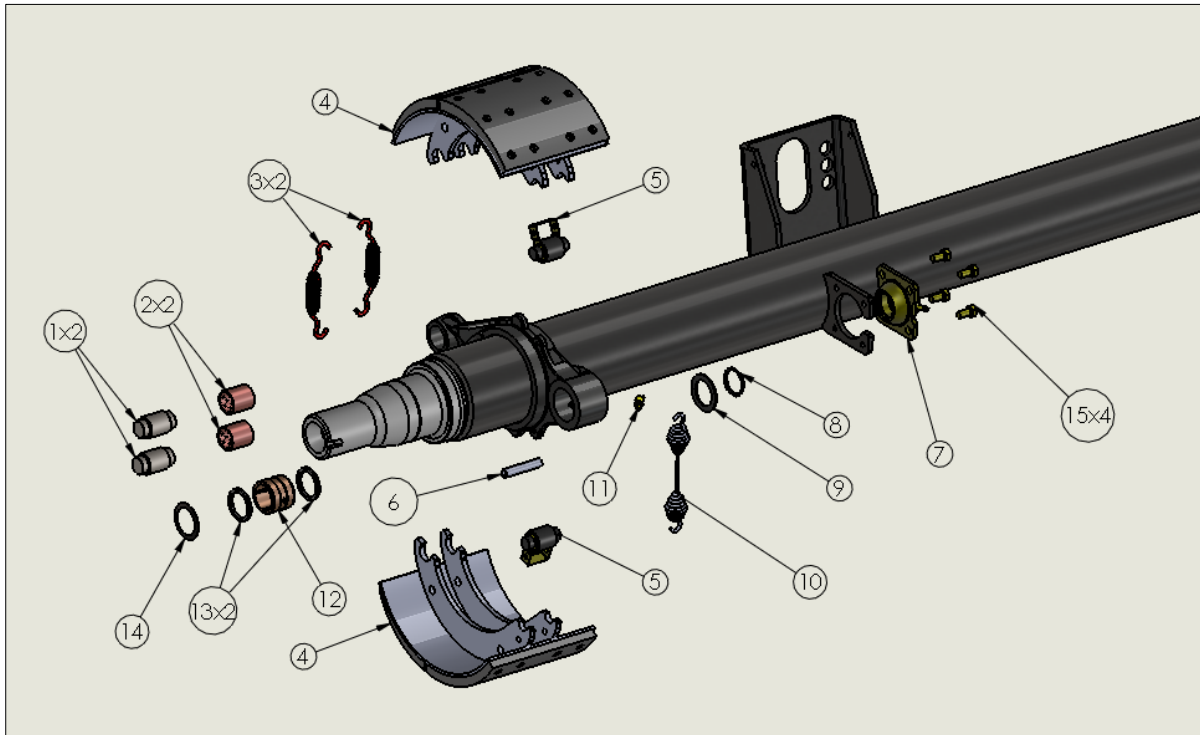
**10 spline camshaft**

**Service manual available on website**

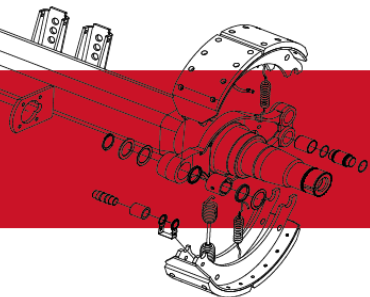
**Please see following pages for part identification**



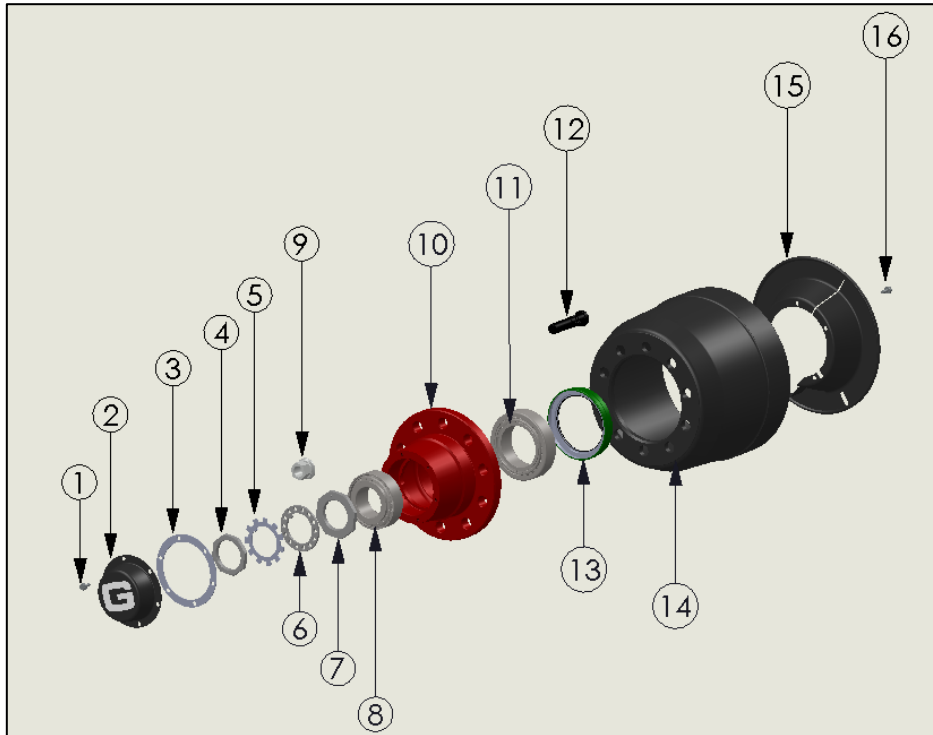
## 310 x 190 – 300 “A” Series Quick Fit Brake Assembly



Item	Description	Part No.	QTY per Axle
1	Anchor Pin	61171	4
2	Bush Anchor Pin	61200B	4
3	Brake Shoe Retaining Spring	61141	4
	<b>Brake Shoe Assembly</b>	61542GA	4
(4)	Brake Shoe (GLAT26-29)	61542G	(4)
(5)	Retainer Cam Roller		(4)
	One Piece Cam Roller		(4)
6	Spring Fixing Pin		(4)
7	Camshaft Spherical Bearing	61080	2
8	Circlip	61120	2
9	Support Washer Camshaft	61058	2
10	Spring Return	61660	2
11	Greaser 1/8 NPT x 45°	61110	2
12	Camshaft Sintered Bush	61055	2
13	Camshaft Grease Seal	61056	4
14	Camshaft Beveled Washer	61057	2
15	M10 x 20 Screw	61359	8

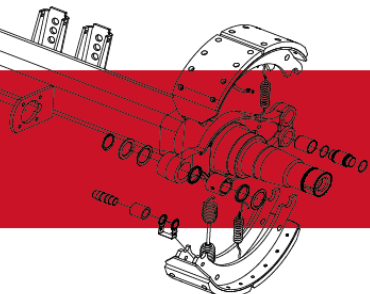


## 310 x 190 – 300 “A” Series Hub/Drum Assembly

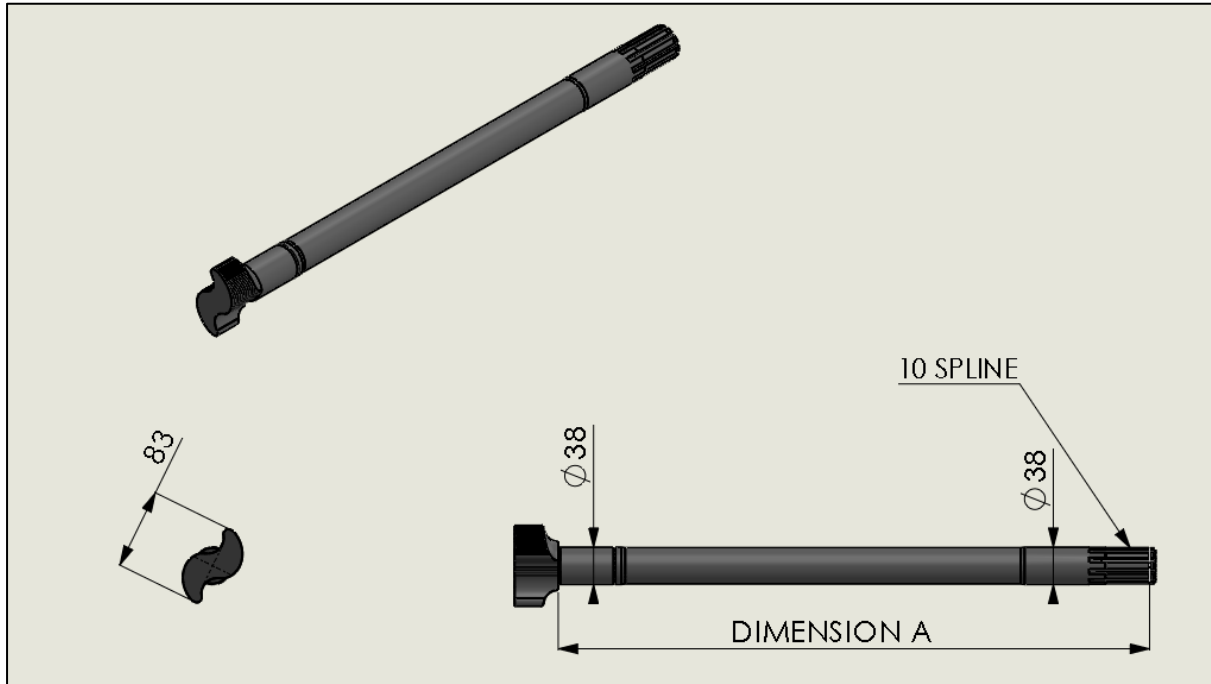


Item	Description	Part No.	QTY per AXLE
1	Screw M8 x 16 Fl. Head	61351	12
2	Hub Cap Pressing "G"	61322A	2
3	Gasket	61330A	2
4	Locknut	61310	2
5	Tab Washer	61311	2
6	Lock Washer	61300	2
7	Adjusting Nut	61290	2
8	Outer Bearing	61270F	2
9	ISO Wheel Nut M22	61381Z	20
10	Hub	61520	2
11	Inner Bearing	61260F	2
12	Wheel Bolt M22 ISO (Twin)	61363	20
	Wheel Bolt M22 ISO (Single)	61361	20
13	Unitised Grease Seal	61282	2
14	Brake Drum 10 Stud	61535*	2
15	Dust Cover (with no lip)	61620	2
	Dust Cover (with lip)	61620A	2
16	Screw M8 x 16 Fl. Head	61358F	12

\*61535 drum now has no lip for dust cover. This new drum uses flat dust cover 61620



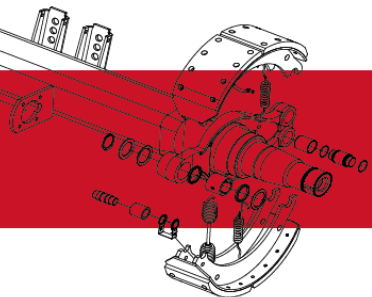
## 310 x 190 – 300 “A” Series Camshaft Parts List



Item	Description (DIM A)	Part No.
1	Left Hand Small Head (175mm)	61154
2	Right Hand Small Head (175mm)	61153
3	Left Hand Small Head (212mm)	61591
4	Right Hand Small Head (212mm)	61601
5	Left Hand Small Head (519mm)	61595
6	Right Hand Small Head (519mm)	61605
7	Left Hand Small Head (610mm)	61596
8	Right Hand Small Head (610mm)	61606

Camshaft lengths are measured from under head to the centre of last circlip groove.

The illustrated camshaft is a right hand camshaft. When looking at the head of the camshaft a right hand cam is Z shaped and a left hand is S shaped

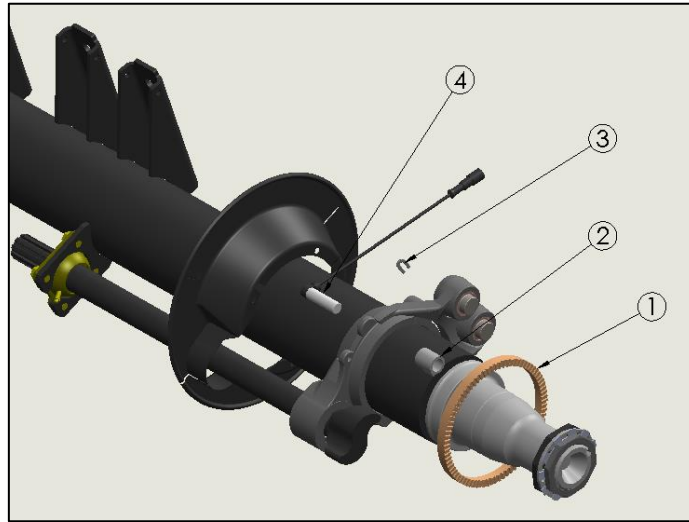




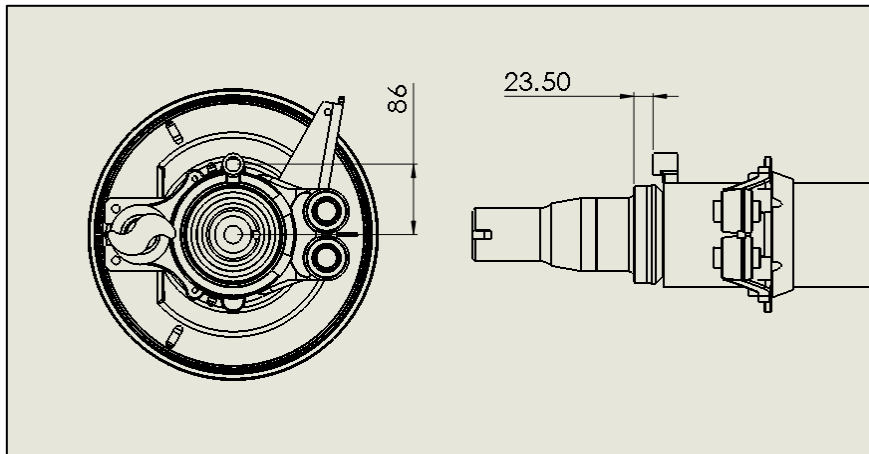
# granning

axle and suspension solutions

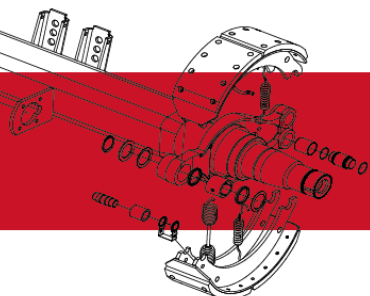
## 310 x 190 – 300 “A” Series ABS/Anti-Lock Assembly



Item	Description (DIM A)	Part No.
1	Pole Wheel (80 tooth)	61787
2	Sensor Block	61781
3	Dust Cover Grommet	61557
4	90° Sensor Lead & Bush	61790



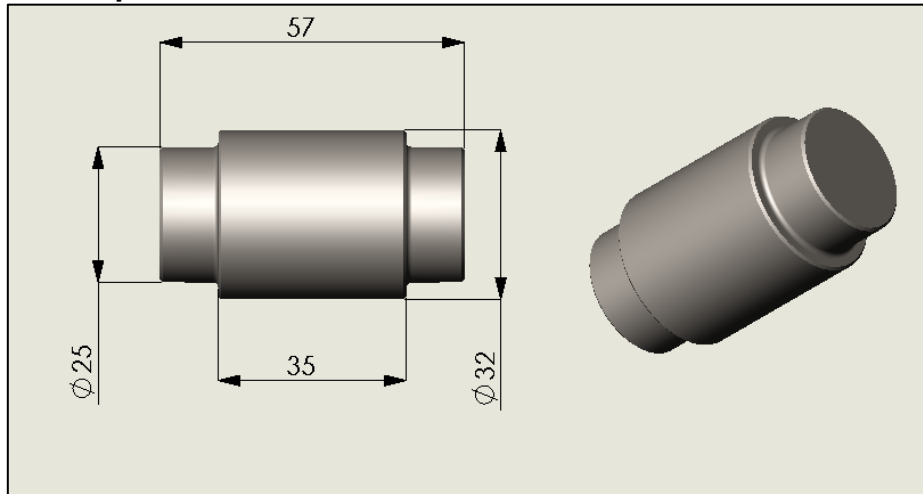
Centre of the ABS sensor is 86mm from centre of the axle  
Face of sensor block 23.5mm from large bearing shoulder  
Weld on ABS block (as shown above) is positioned 90 degrees to camshaft.



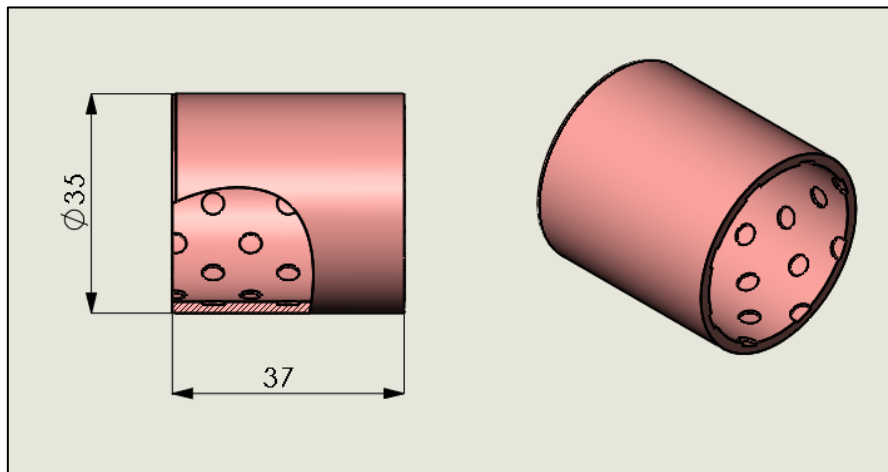
[www.granningaxles.ie](http://www.granningaxles.ie)

Revision Date: May 2024  
Part No. 80299 REV B

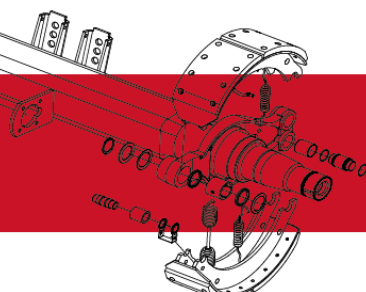
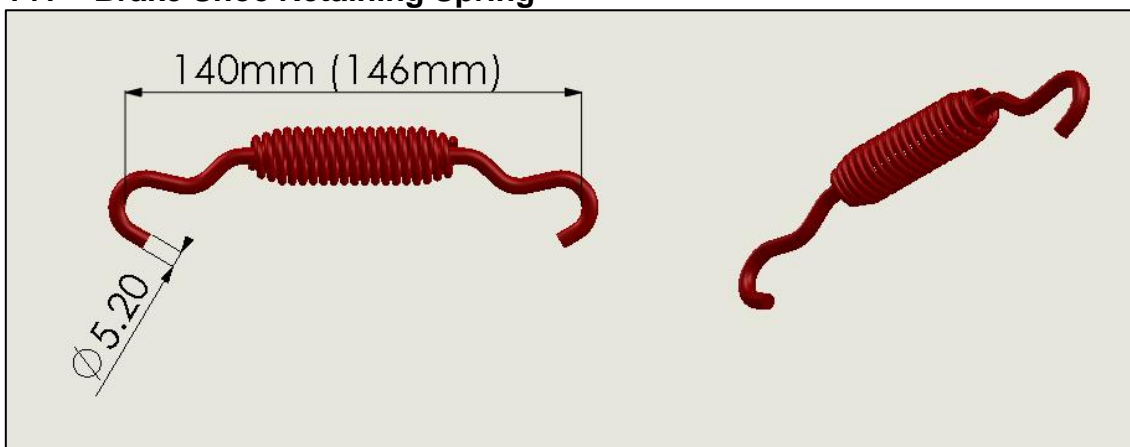
**61171 – Anchor pin**



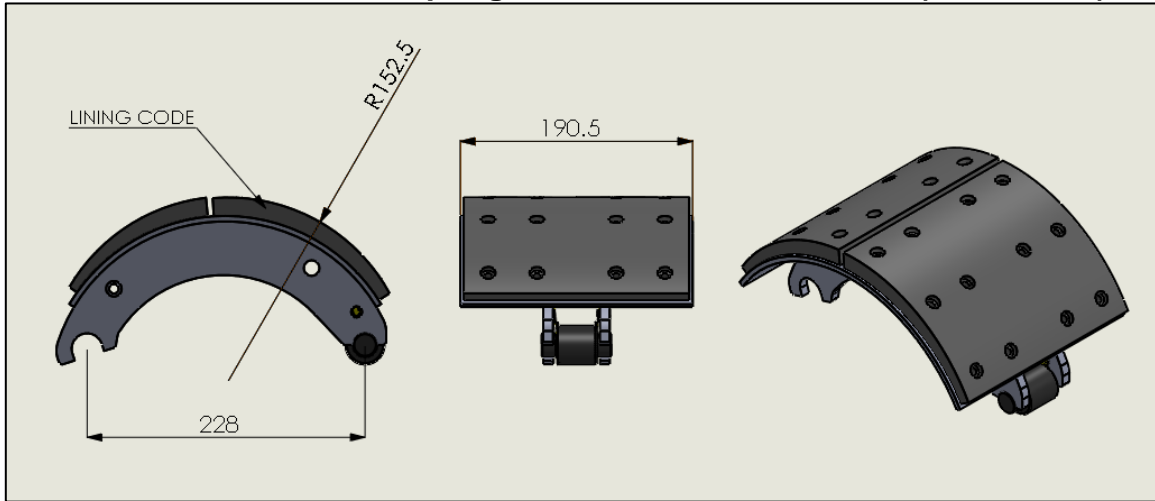
**61200B – Bush Anchor Pin**



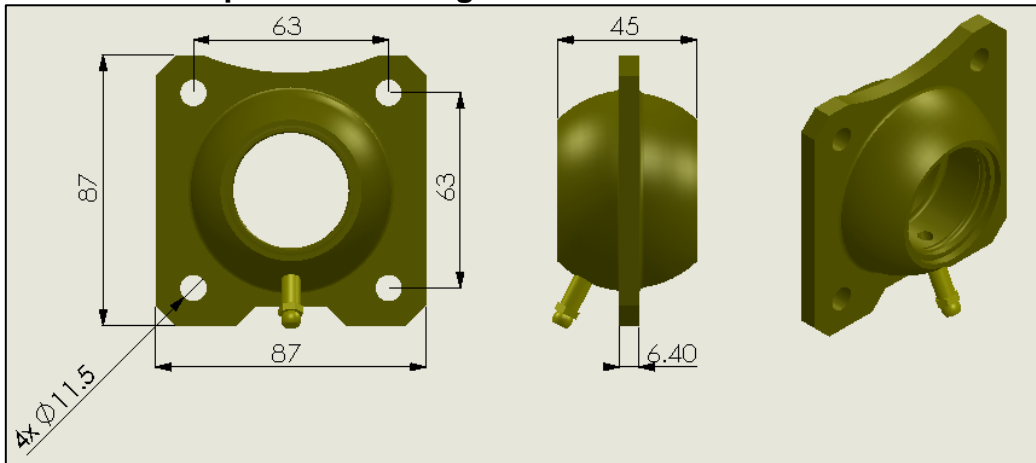
**61141 – Brake Shoe Retaining Spring**



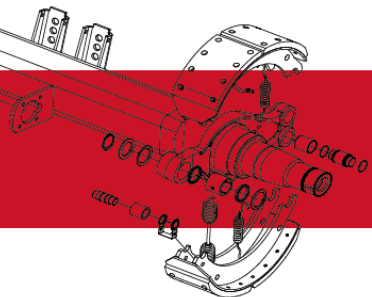
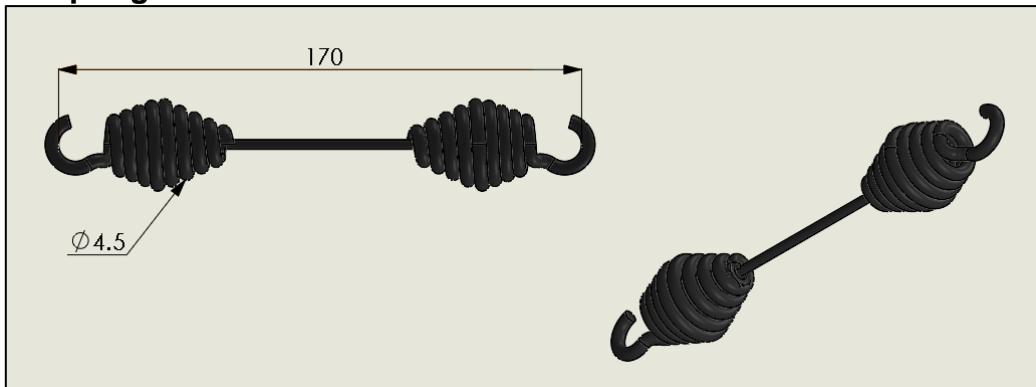
**61542GA – Brake shoe with spring anchor bar and cam roller (GLAT26-29)**



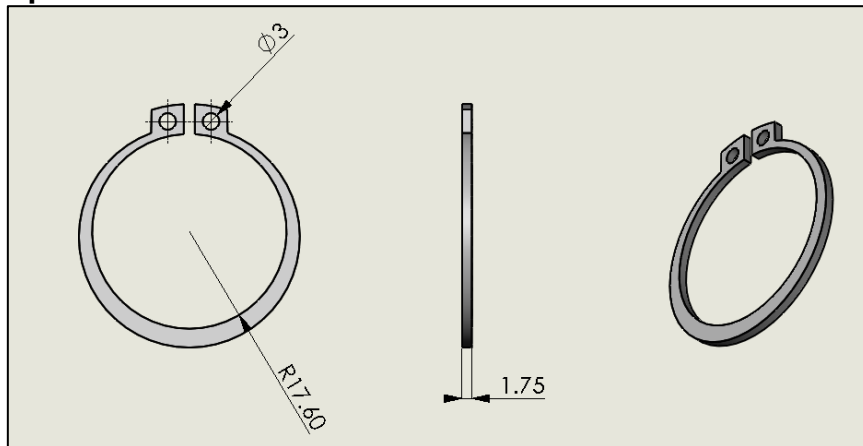
**61080 – Camshaft Spherical Bearing**



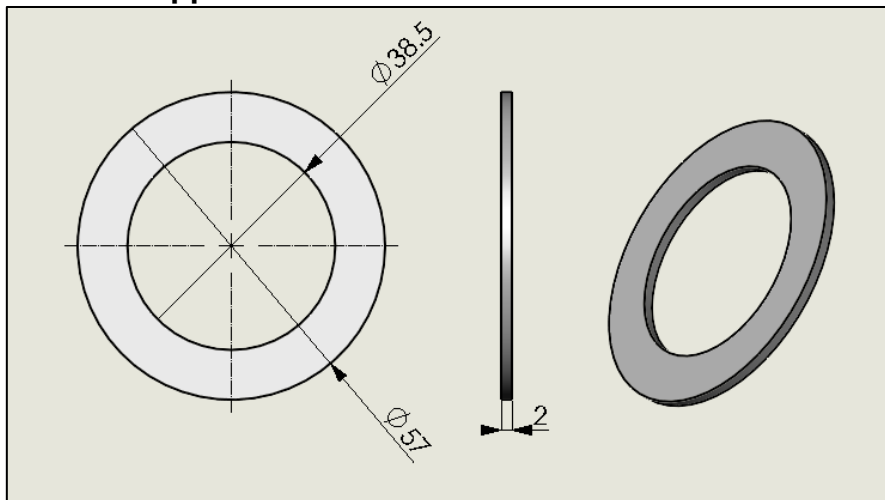
**61660 – Spring Return**



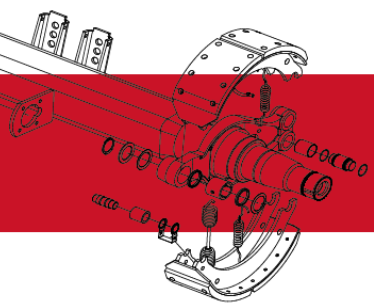
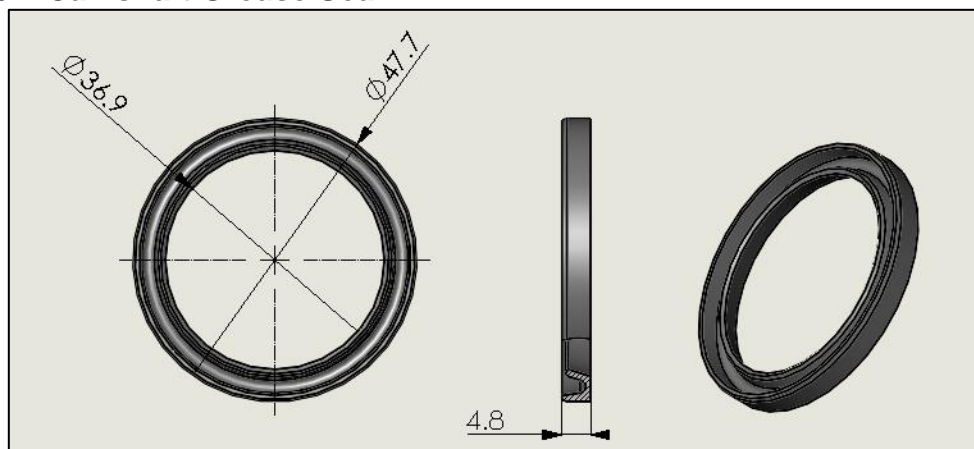
**61120- Circlip**



**61058 – Camshaft Support Washer**

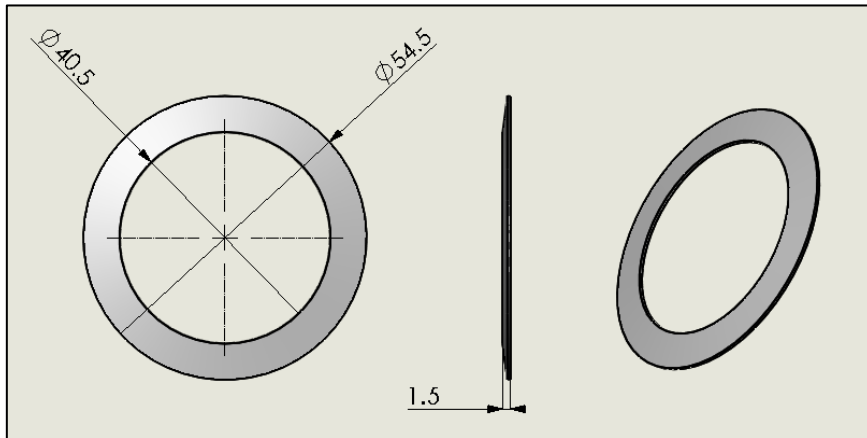


**61056 – Camshaft Grease Seal**

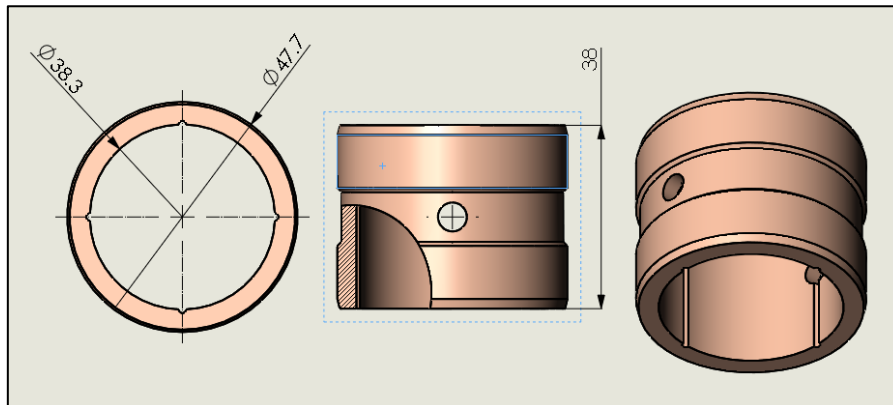




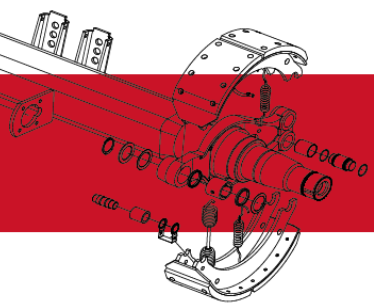
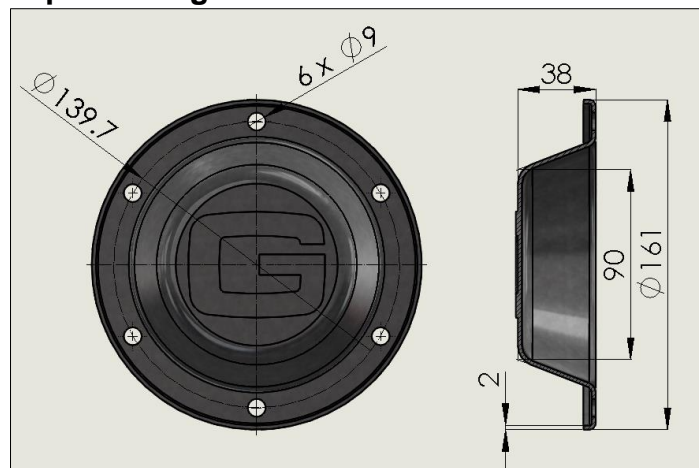
**61057 – Camshaft Beveled Washer**



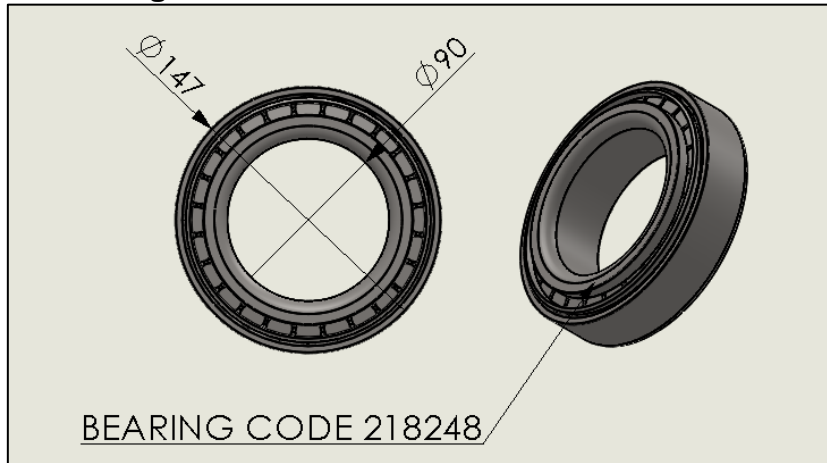
**61055 – Camshaft Sintered Bush**



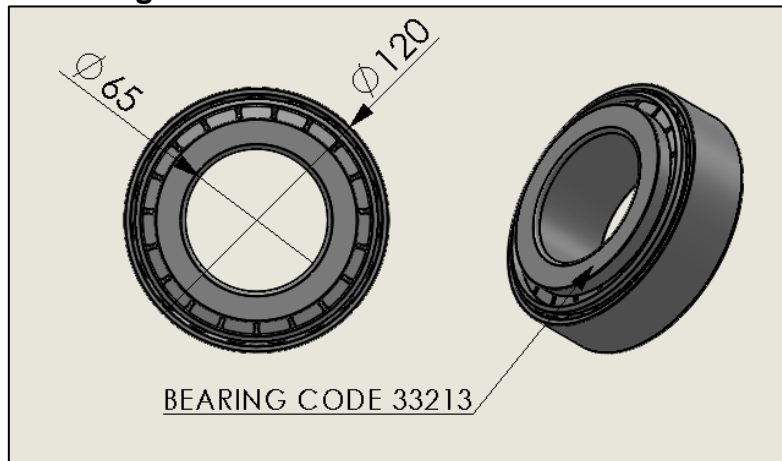
**61322a – G Hub Cap Pressing**



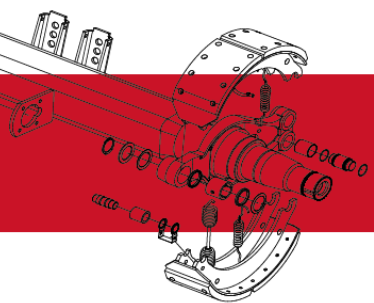
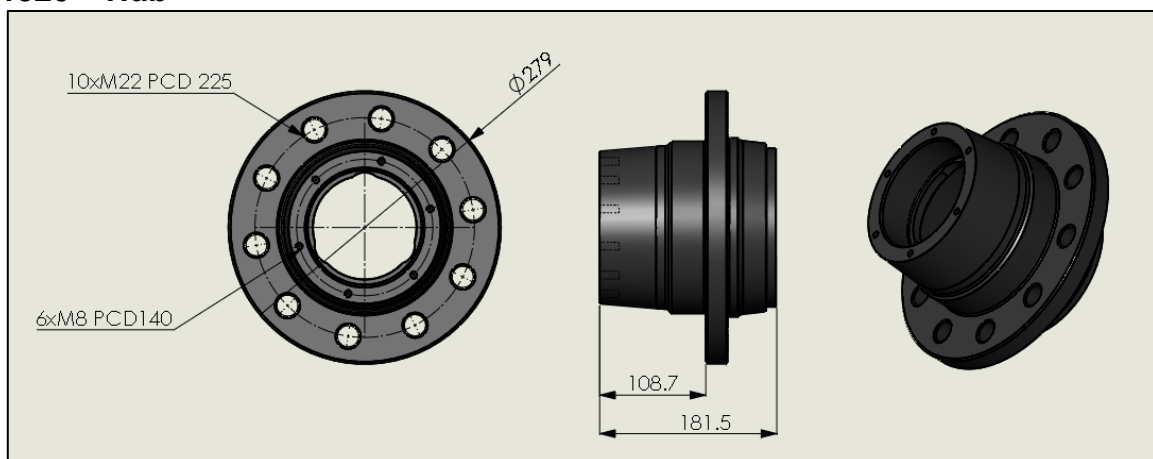
## 61260F – Inner bearing and cone



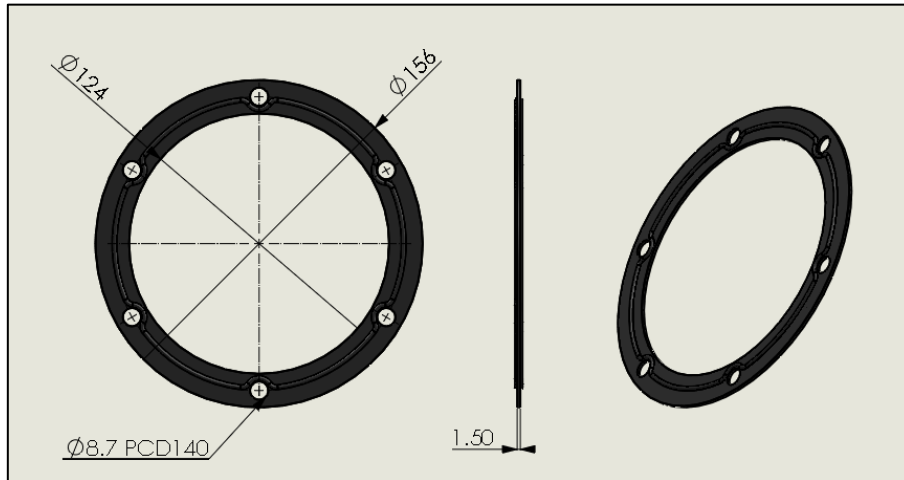
## 61270F – Outer bearing and cone



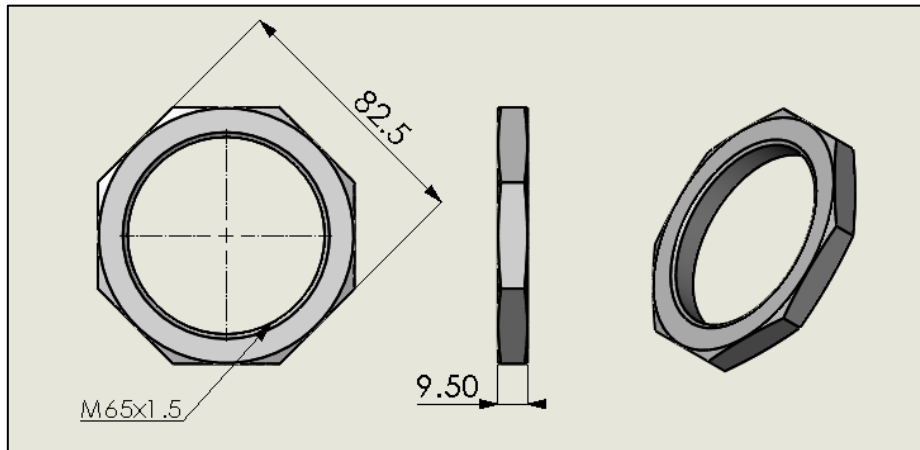
## 61520 – Hub



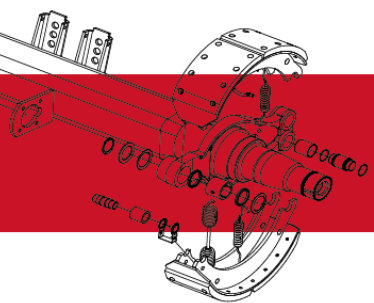
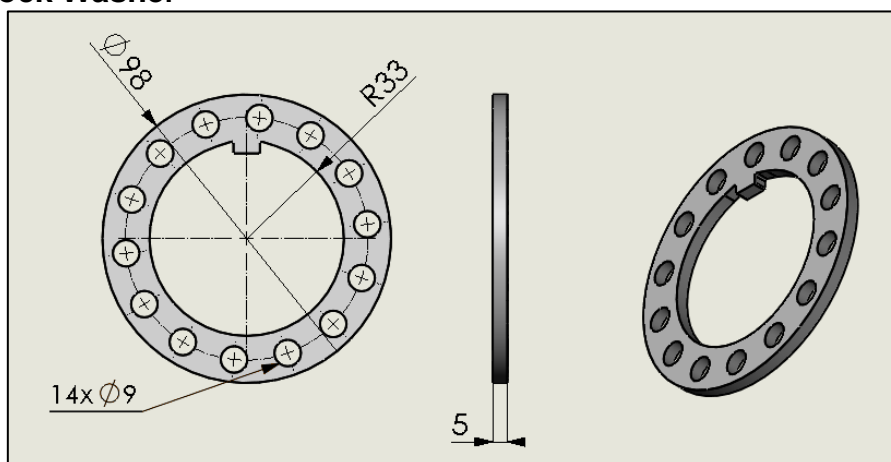
**61330A – Gasket**



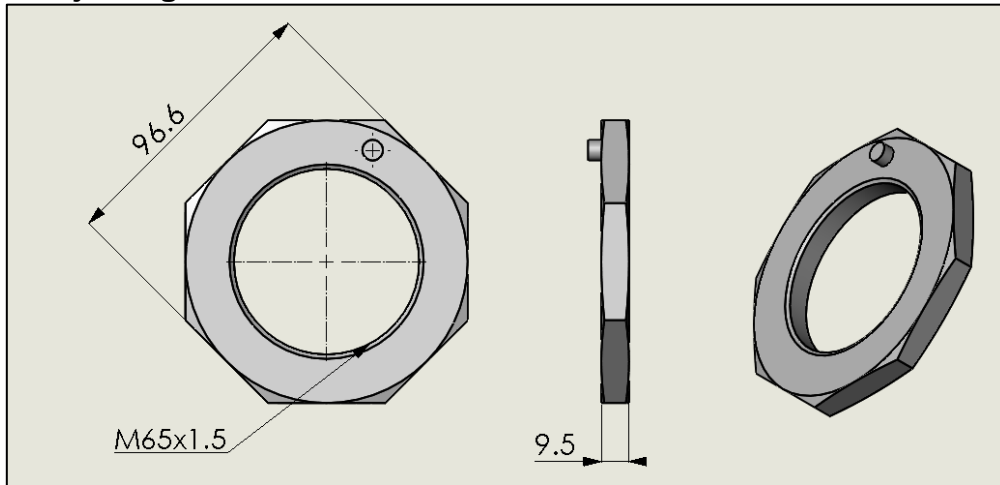
**61310 – Locknut**



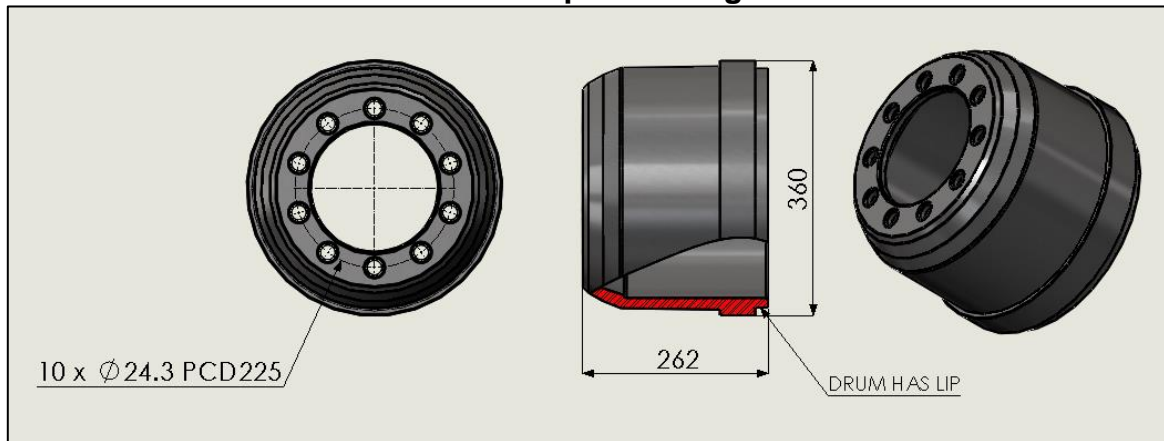
**61300 – Lock Washer**



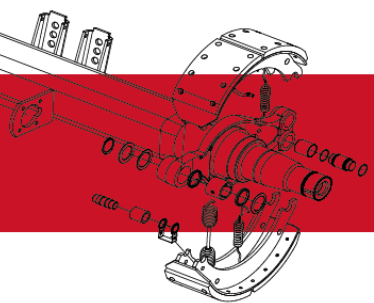
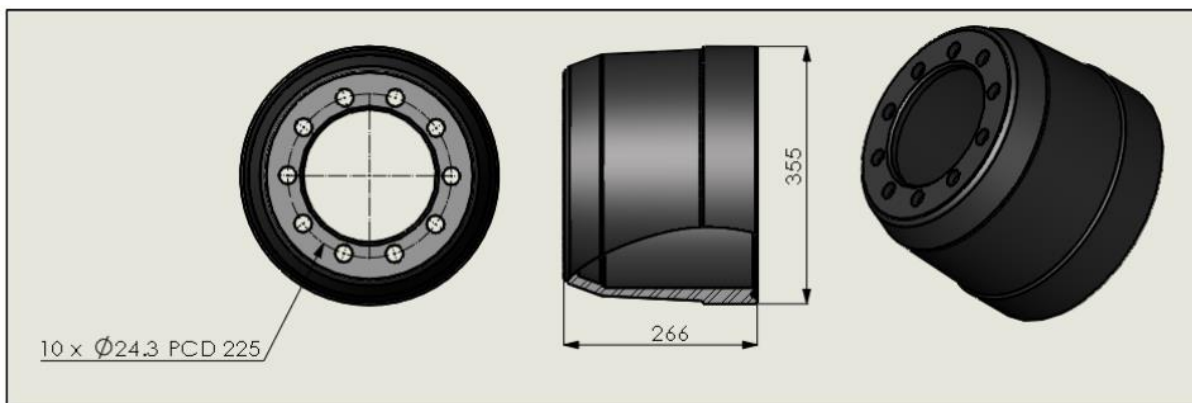
**61290 – Adjusting Nut**



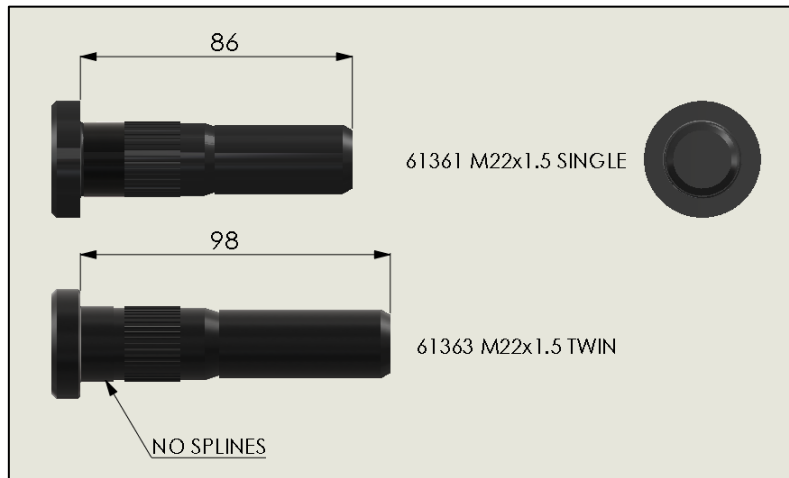
**61535 – Brake Drum with dust cover lip is no longer available**



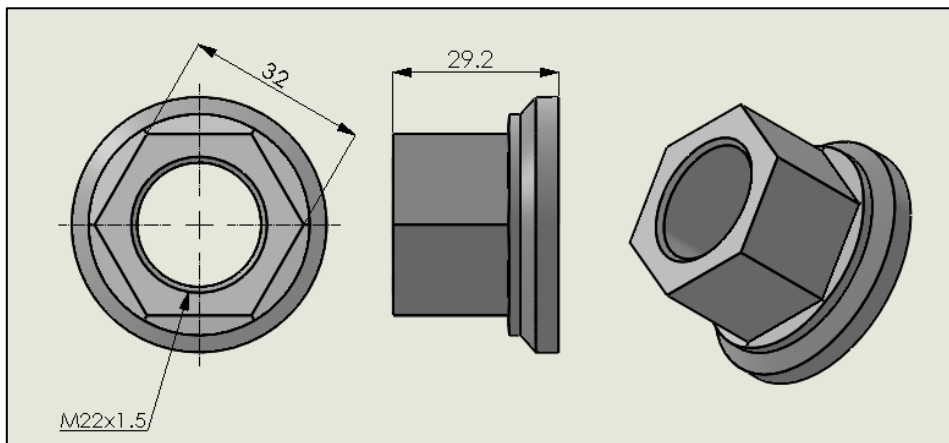
**61535 – Brake Drum**



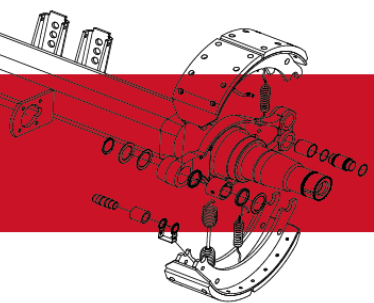
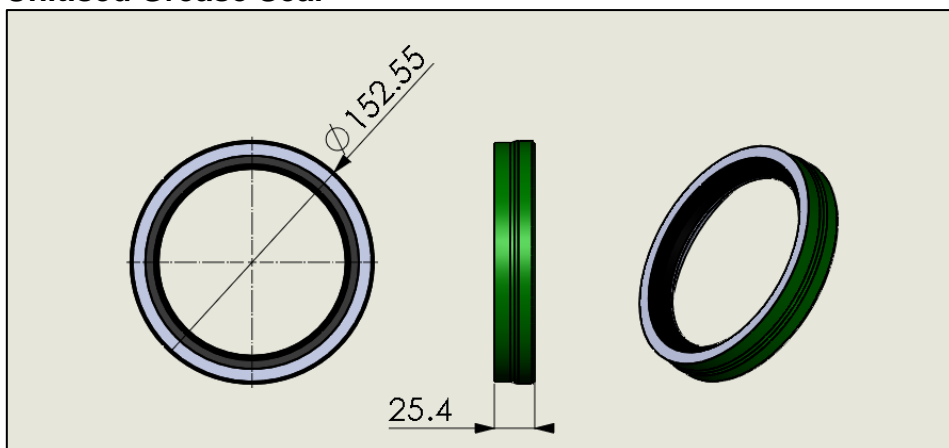
## Wheel Bolt



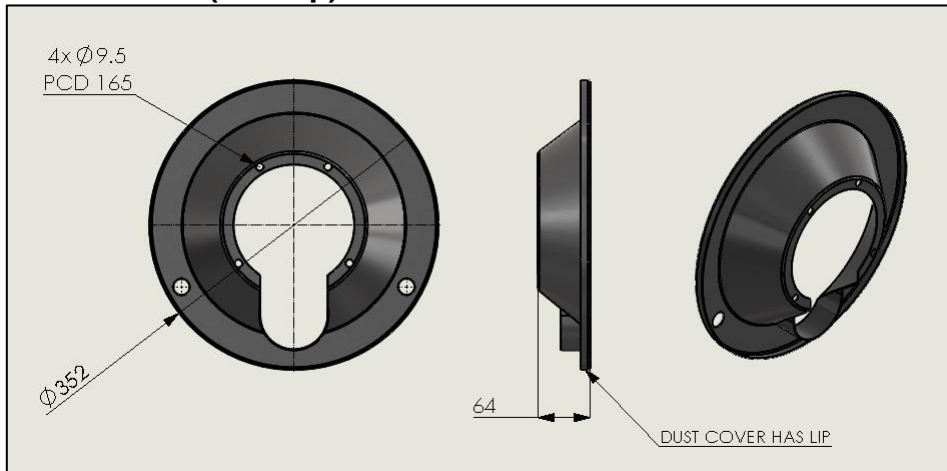
## 61381Z – ISO Wheel Nut M22



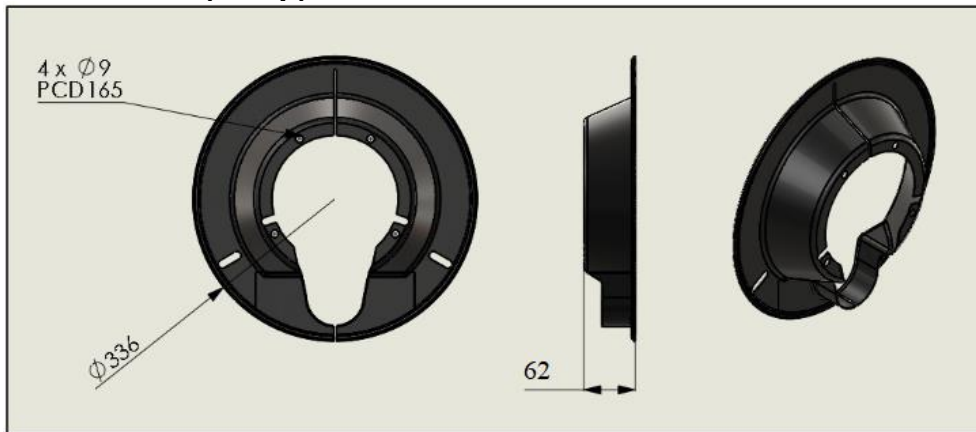
## 61282 – Unitised Grease Seal



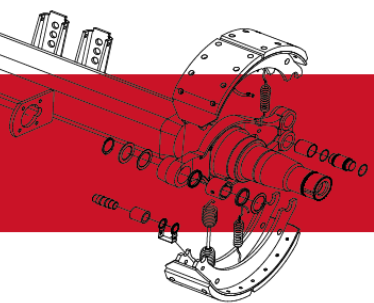
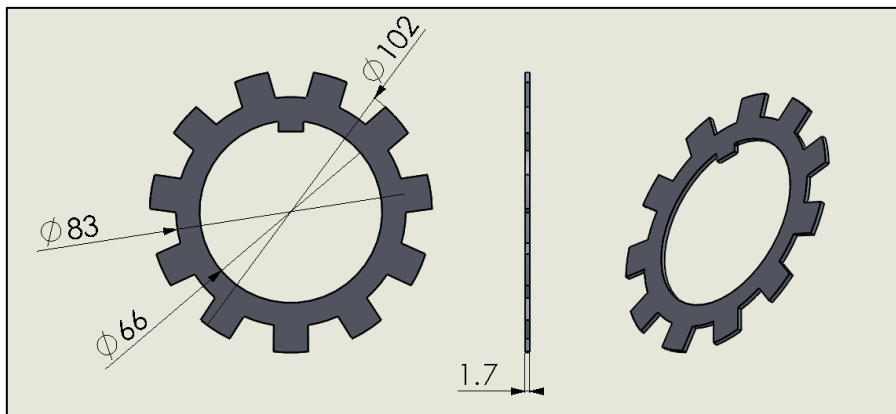
**61620A – Dust Cover (with lip)**

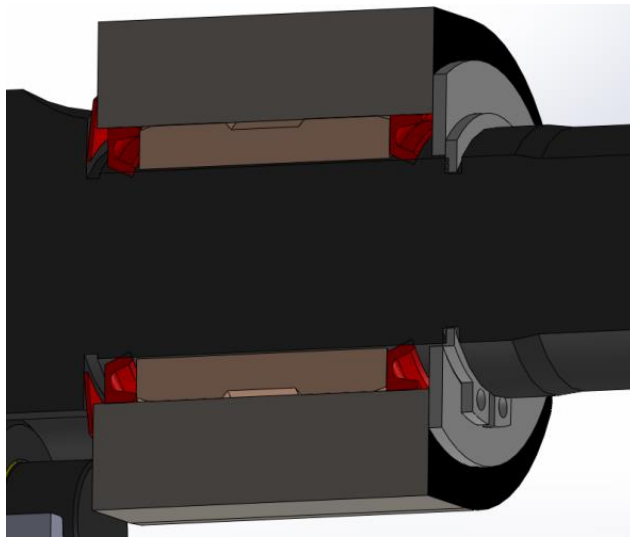
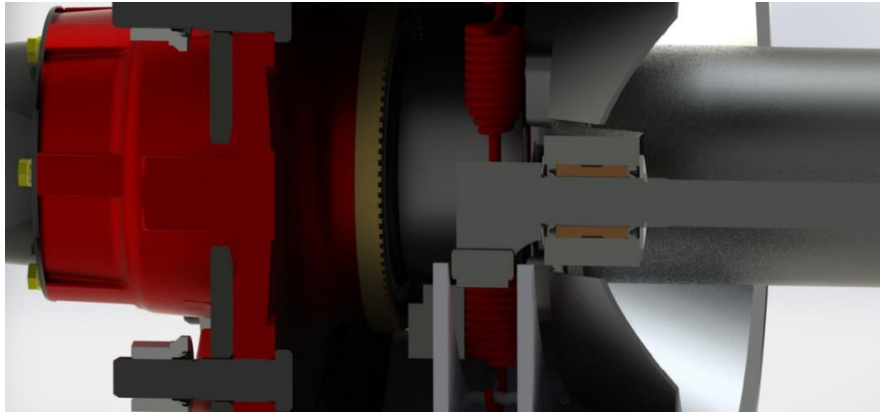


**61620 – Dust Cover (no lip)**

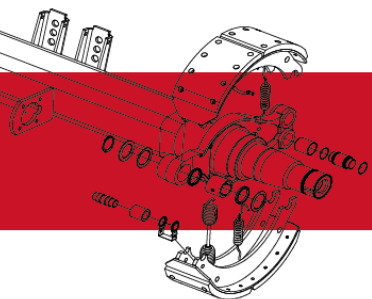


**61311 – Tab Washer**



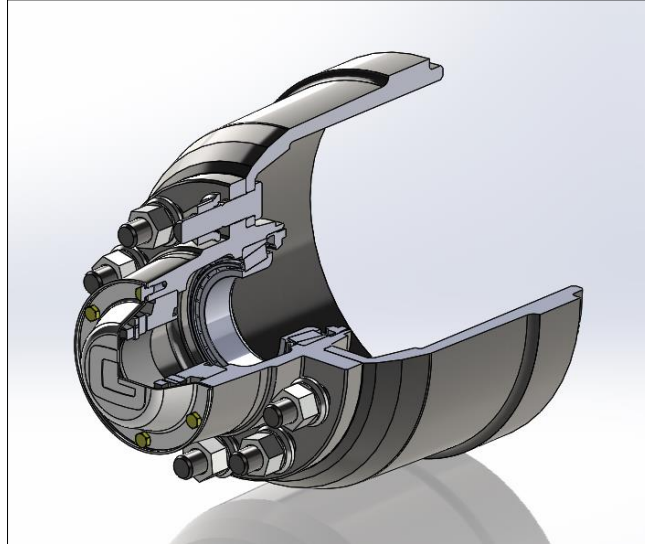


The direction of the grease seals in the anchor bracket is important as well as the position of the beveled washer between the anchor bracket and camshaft head.



## Ordering Of Sub-Assemblies

It is possible to order sub-assemblies of parts from Granning rather than ordering individual parts.

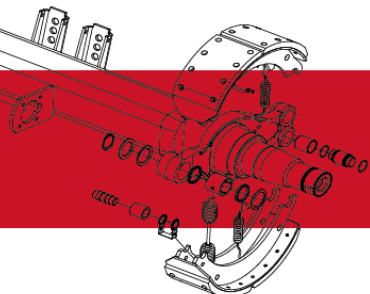


### 71000A – Twin Wheel Stud Hub and Drum Assembly 71000AW – 71000 with 1 x 80 tooth pole wheel 61787

Part Number	Quantity	Description
61535	1	Drum
61520	1	Hub
61270F	1	Outer bearing
61260F	1	Inner bearing
61363	10	Twin wheel stud
61381Z	10	ISO wheel nut

### HCL-A – Hub Cap and spindle nut assembly

Part Number	Quantity	Description
61330A	2	Gasket
61322A	2	Hub cap - Silver
61351	12	M8 bolts
61310	2	Lock nut
61300	2	Lock washer
61311	2	Tab washer
61290	2	Adjusting nut
61353	12	M8 spring washer





**61083 – 300 Series Brake Shoe Kit**

Part Number	Quantity	Description
61660	1	Return spring
61141	2	Brake shoe retaining spring
61150	2	Spring anchor bar
61210	2	Sleeve cam roller
61230	2	Spindle cam roller
61220	2	Retainer cam roller
61200B	2	Bush anchor pin
61171	2	Anchor pin

**61081 – Camshaft Bush Kit**

Part Number	Quantity	Description
61080	1	Spherical bearing
61055	1	Camshaft sintered bush
61056	2	Camshaft grease seal
61057	2	Beveled camshaft washer
61058	2	Camshaft support washer
61120	2	Camshaft circlip

We reserve the right to make changes to specifications or to make improvements to the products in this catalogue without prior notice. We are not responsible for inaccuracies or omissions.

