

6000 SERIES DISC BRAKE AXLE



6000 series axle is TUV tested to 10,000Kg, please see website for test report.

335mm PCD 10 stud M22 hub and drum. 280.8mm hub pilot.

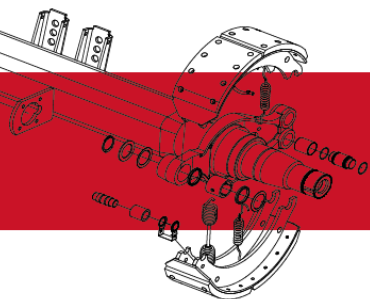
Available in single and twin wheel stud.

Unipac/twin bearing hub

8 or 10 Stud

Service manual available on website

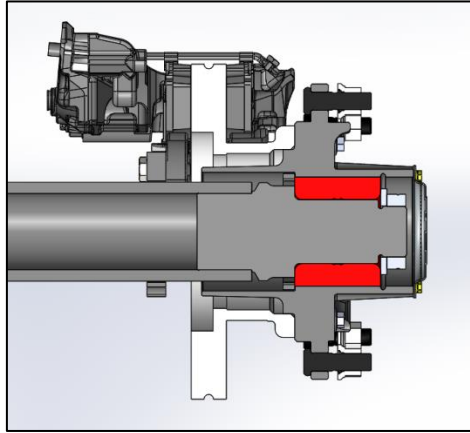
Please see following pages for part identification





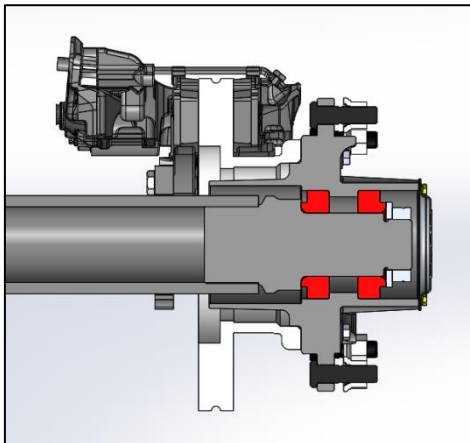
granning
axle and suspension solutions

61245 UniPac hub (10 Stud) with 61266 UniPac Bearing

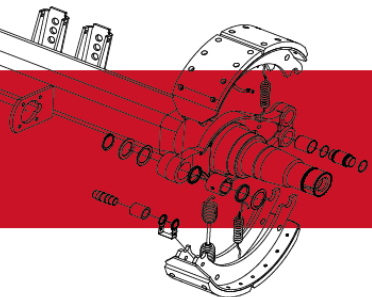


**61245 Hub is no longer used and is replace with universal twin bearing hub
61278**

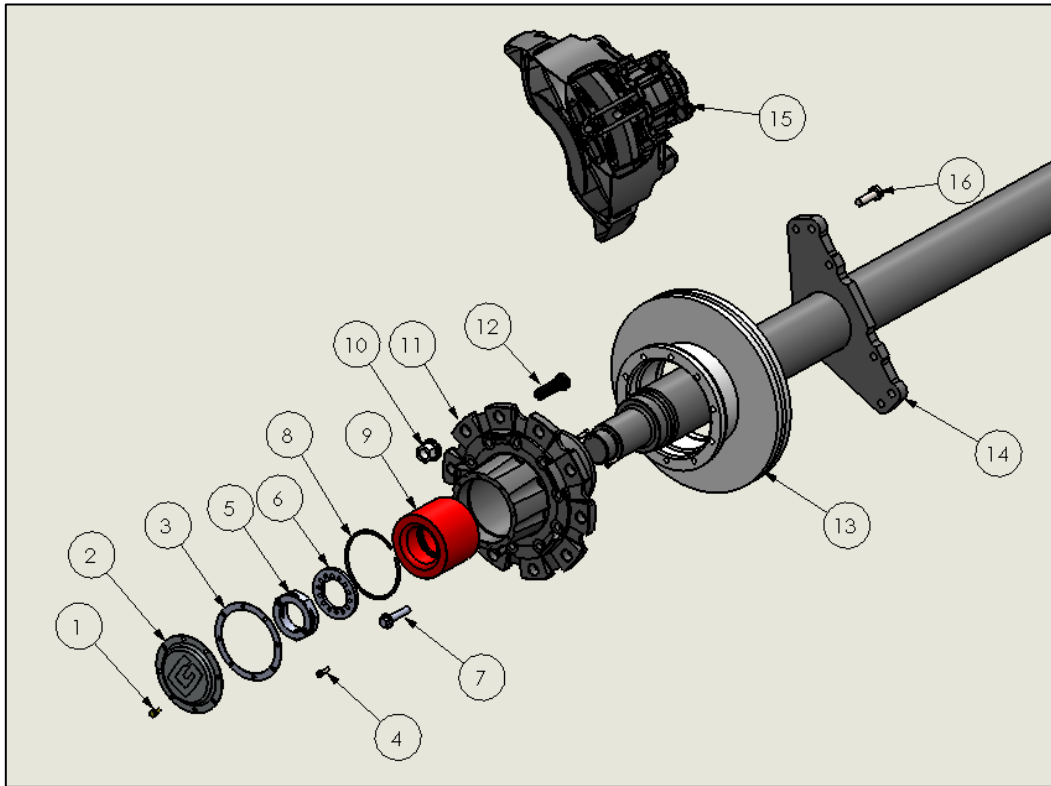
61231 Twin bearing hub (10 Stud) with 61296 Twin Bearing



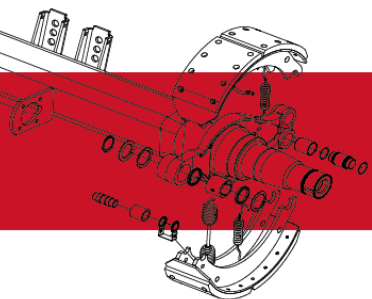
61231 Hub is no longer used and is replace with twin bearing hub 61278



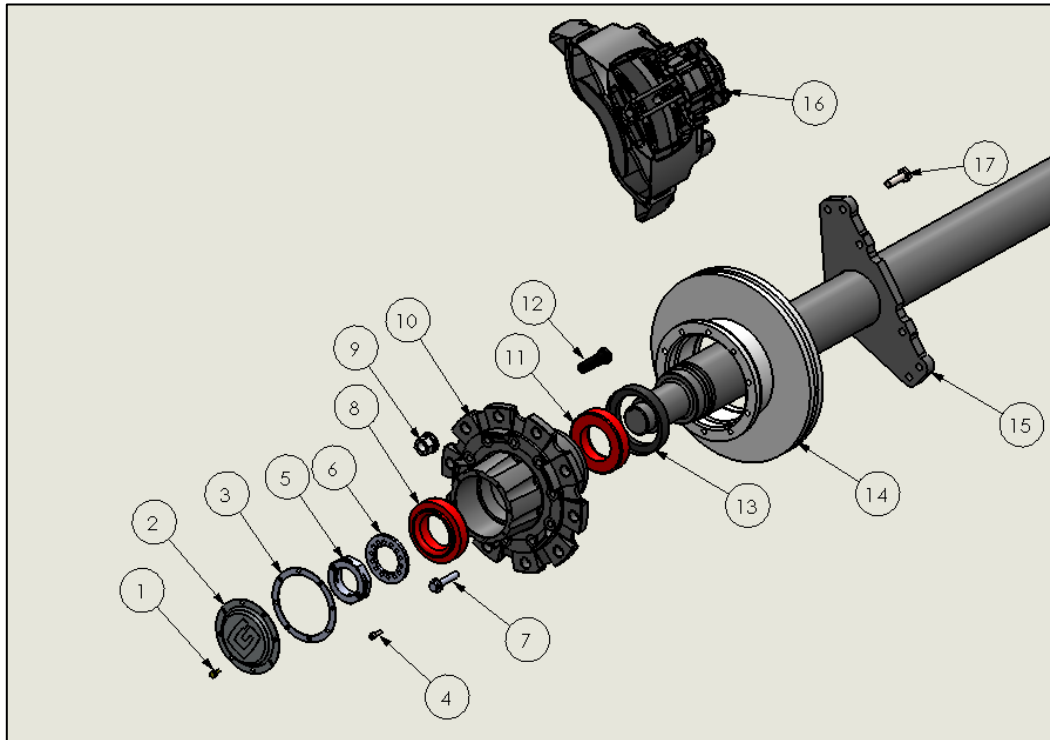
61245 UniPac Hub (10 Stud) with 61266 UniPac Bearing



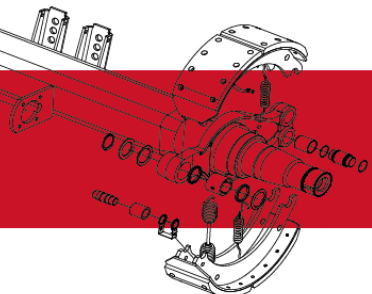
Item	Description	Part No.	QTY per Axle
1	M8 x16 Fl.Head Screw	61358F	16
2	Disc Brake Hub Cap (8 Hole)	61325	2
3	Hub Cap Gasket (8 Hole)	61335	2
4	Socket Cap Screw M8x25	61345	4
5	Lock Nut	61315	2
6	Spindle Lock Washer	61305	2
7	M14x70 Bolt	61357	20
8	Snap Ring	61295	2
9	UniPac Bearing	61266	2
10	ISO Wheel Nut M22	61381Z	20
11	UniPac Hub 10 Stud (discontinued)	61245	2
12	ISO Wheel Stud M22 (Single)	61355	20
	ISO Wheel Stud M22 (Twin)	61375	20
13	Ø377mm Disc Rotor	61247	2
14	6000 Torque Plate	61026	2
15	Knorr Bremse Caliper Left/Right	61246/48	1/1
	WABCO Caliper Left/Right	61742/43	1/1
16	Caliper Bolt M16x55	61356	12



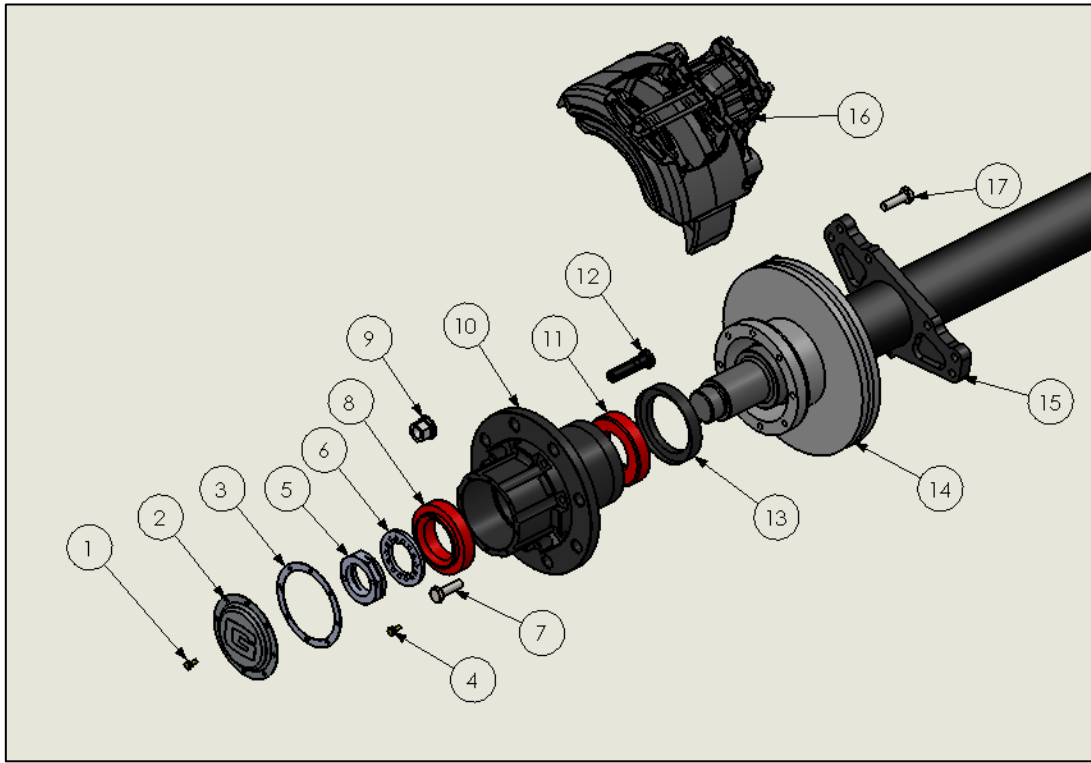
61231 Twin Bearing Hub (10 Stud) with 61296 Twin Bearing



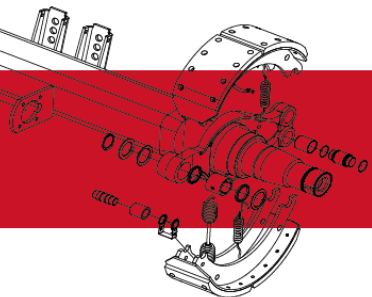
Item	Description	Part No.	QTY per Axle
1	M8 x16 Fl.Head Screw	61358F	16
2	Disc Brake Hub Cap (8 Hole)	61325	2
3	Hub Cap Gasket (8 Hole)	61335	2
4	Socket Cap Screw M8x25	61345	4
5	Lock Nut	61315	2
6	Spindle Lock Washer	61305	2
7	M14x70 Bolt	61357	20
8/11	Twin Bearing	61296	4
9	ISO Wheel Nut M22	61381Z	20
10	Twin Bearing Hub 10 Stud (discontinued)	61231	2
	Universal Hub Option	61278	2
12	ISO Wheel Stud M22 (Single)	61355	20
	ISO Wheel Stud M22 (Twin)	61375	20
13	Oil Seal	54020	2
14	Ø377 Disc Rotor	61247	2
5	6000 Torque Plate	61026	2
16	Knorr Bremse Caliper Left/Right	61246/48	1/1
	WABCO Caliper Left/Right	61742/43	1/1
17	Caliper Bolt M16x55	61356	12



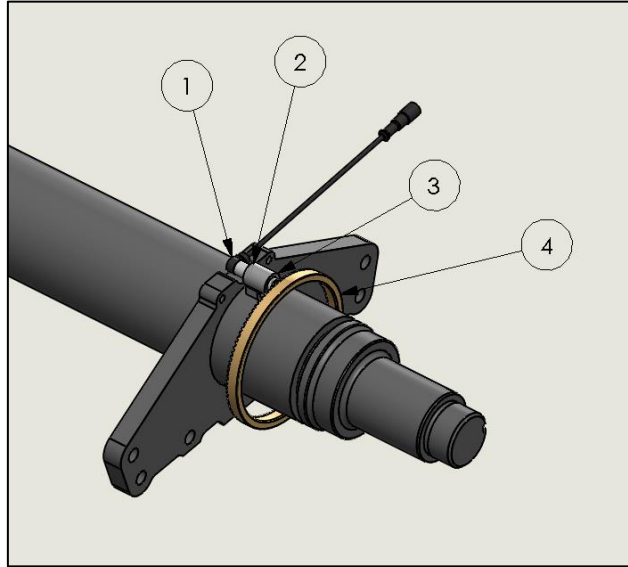
61232 Twin Bearing hub (8 Stud) with 61296 Twin Bearing



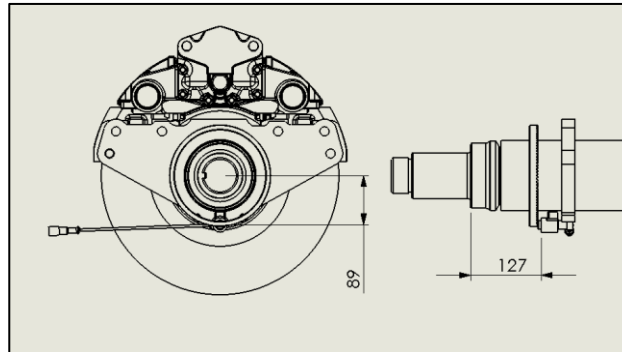
Item	Description	Part No.	QTY per Axle
1	M8 x16 Fl.Head Screw	61358F	16
2	Disc Brake Hub Cap (8 Hole)	61325	2
3	Hub Cap Gasket (8 Hole)	61335	2
4	Socket Cap Screw M8x25	61345	4
5	Lock Nut	61315	2
6	Spindle Lock Washer	61305	2
7	M14x70 Bolt – No Flange	61378	16
8/11	Twin Bearing	61296	4
9	ISO Wheel Nut M22	61381Z	16
10	Twin Bearing Hub 8 Stud	61232	2
12	ISO Wheel Stud M22 (Single)	61355	16
	ISO Wheel Stud M22 (Twin)	61375	16
13	Oil Seal	54020	2
14	Ø377 Disc Rotor	61247	2
5	6000 Torque Plate	61026	2
16	Knorr Bremse Caliper Left/Right	61246/48	1/1
	WABCO Caliper Left/Right	61742/43	1/1
17	Caliper Bolt M16x55	61356	12



6000 Series ABS Assembly



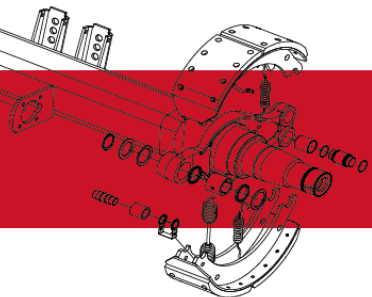
Item	Description	Part No.
1	Pole Wheel (100 tooth)	61789
2	ABS Sensor Block	61781
3	ABS Sensor Bush	61792
4	90° ABS Sensor Lead	61790



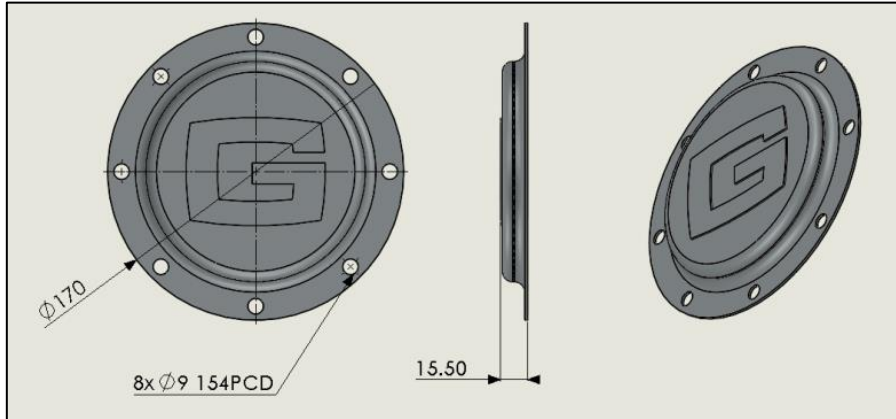
Pole wheel at 178mm PCD

Off set hub with stepped spindle sensor block 23.5mm from large bearing shoulder.

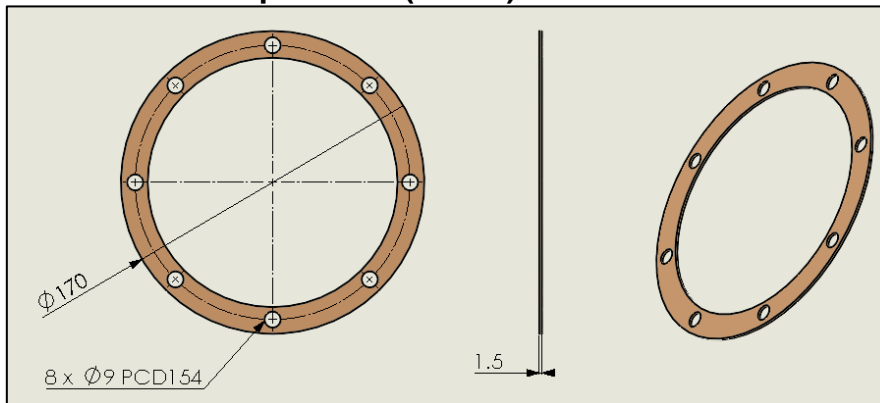
Twin/Unipac bearing hub with parallel spindle sensor block 127mm from large bearing shoulder.



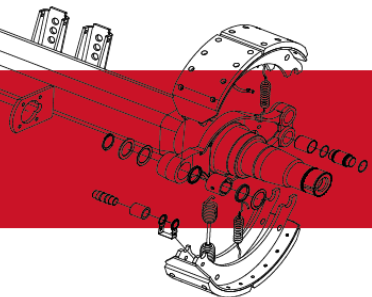
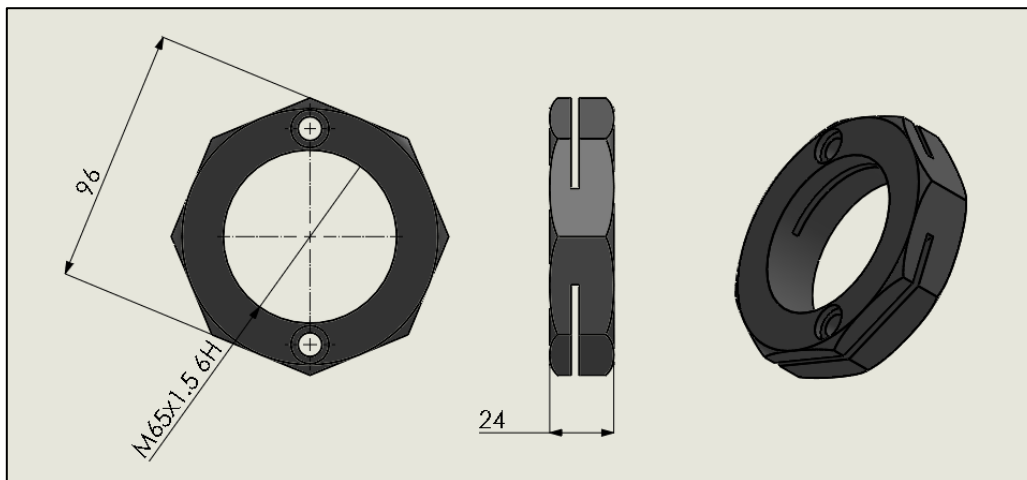
61325 – Disc Brake G Hub Cap Pressing (8 hole)



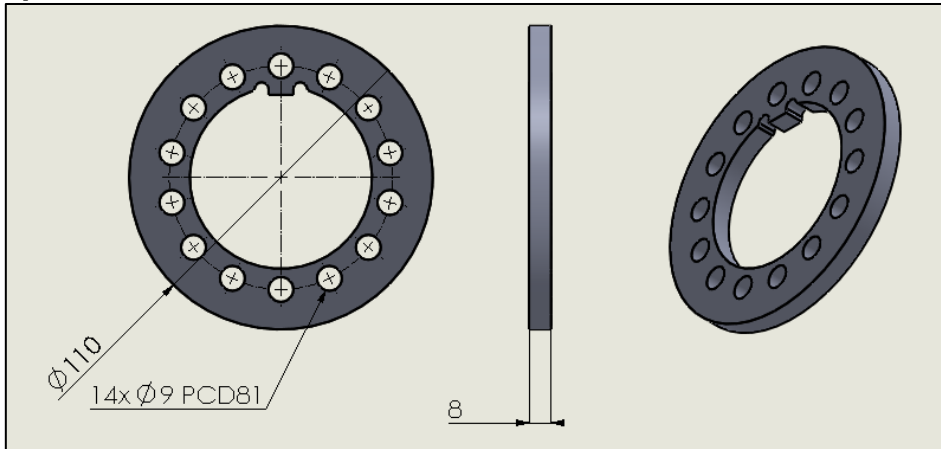
61335 – Disc Brake Hub Cap Gasket (8 hole)



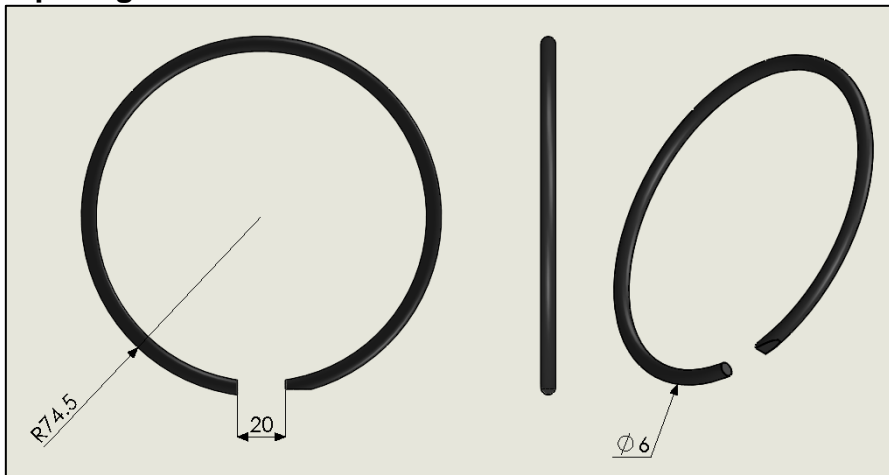
61315 – Lock nut



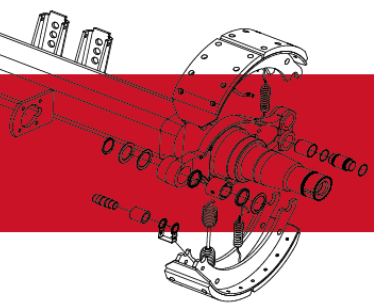
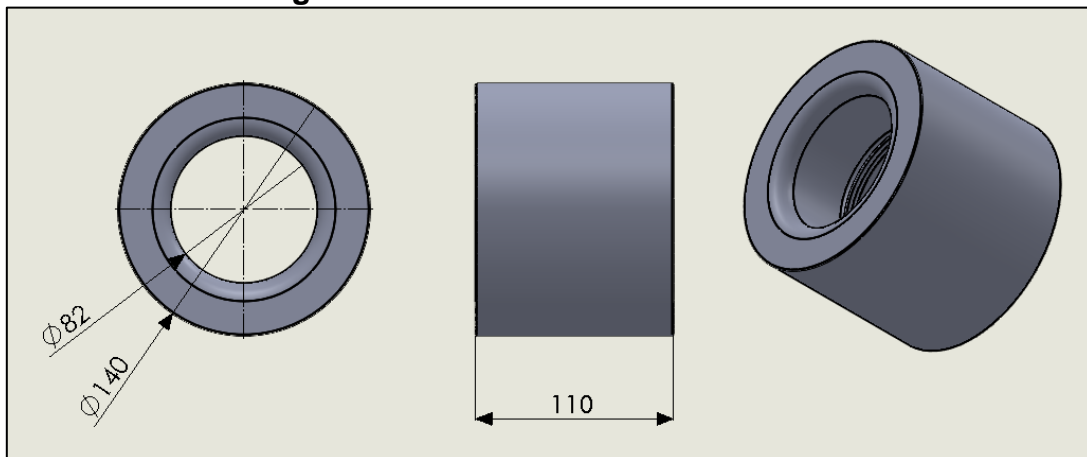
61305 – Spindle lock washer



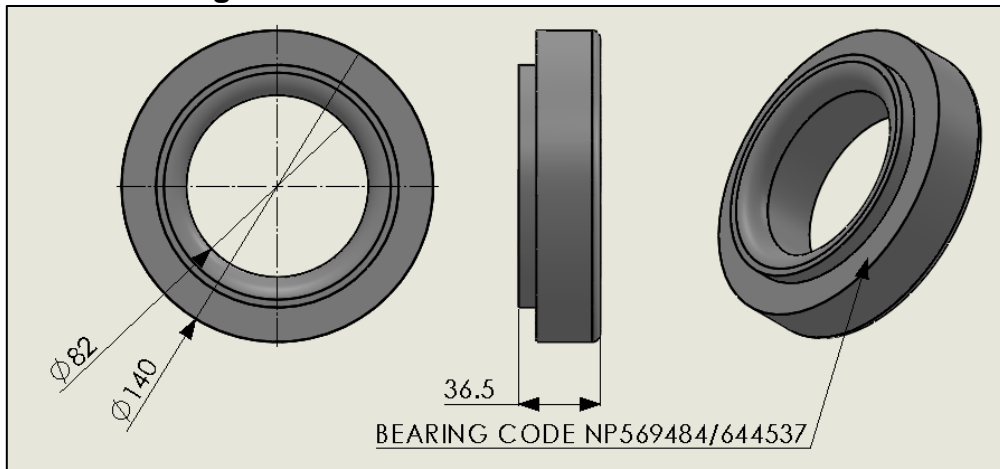
61295 – Snap Ring



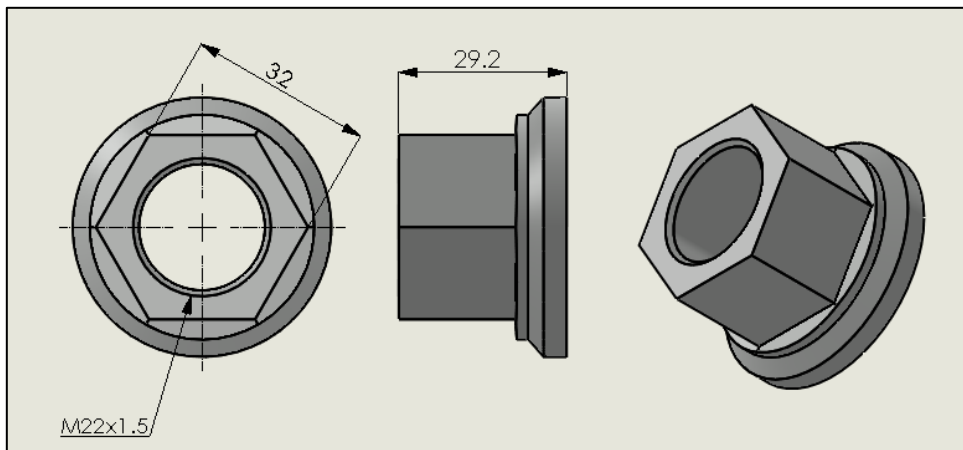
61266 – UniPac Bearing



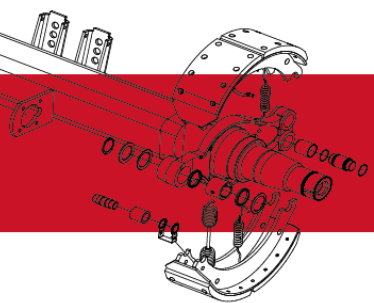
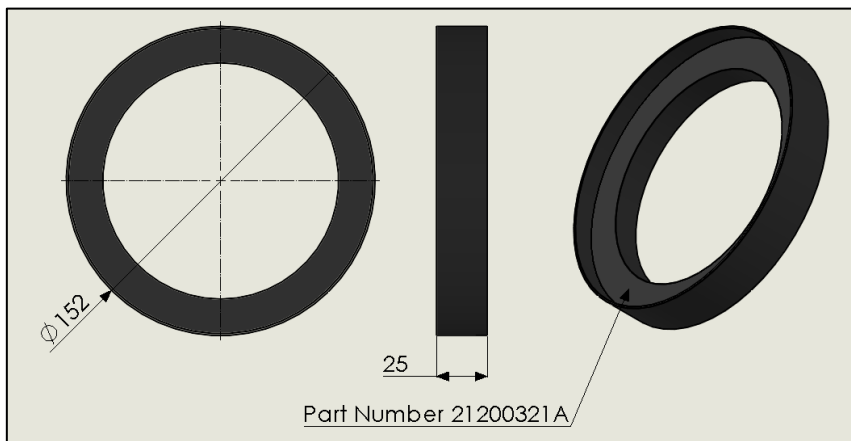
61296 – Twin Bearing



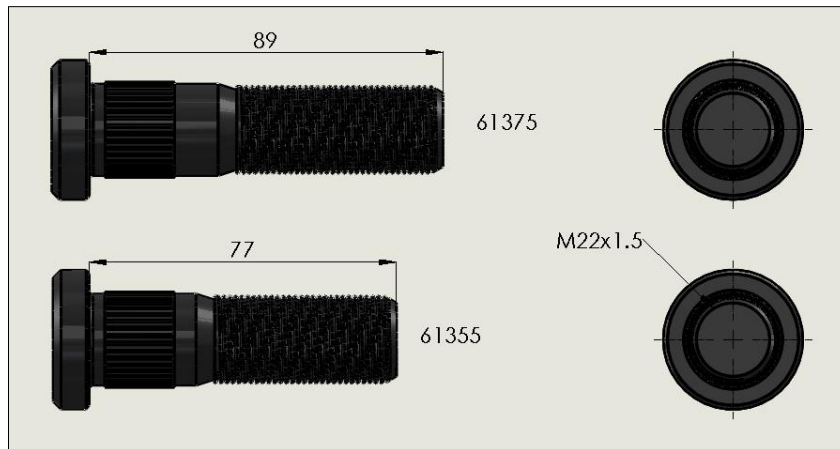
61381Z – M22 ISO Wheel Nut



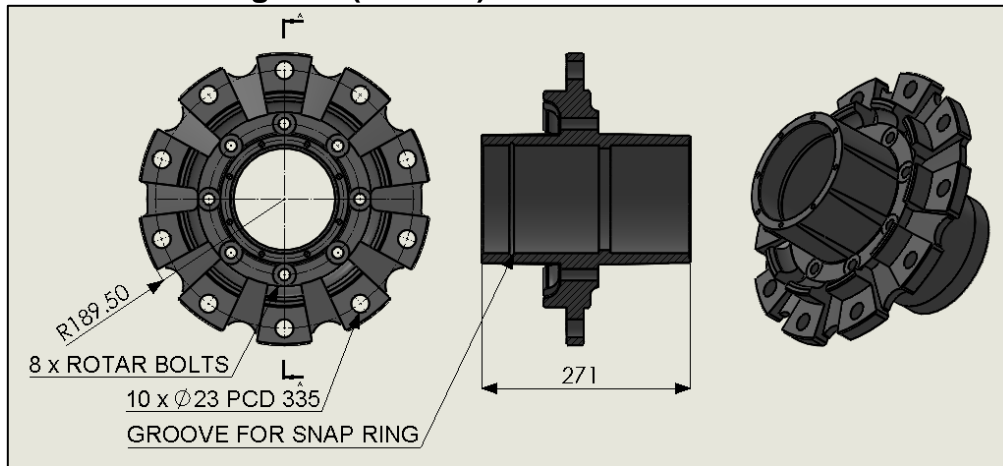
54020 – Oil Seal



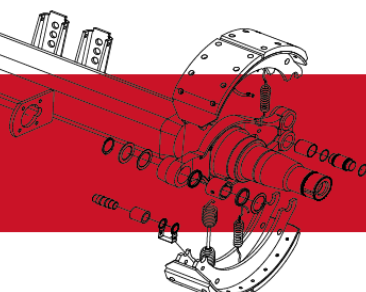
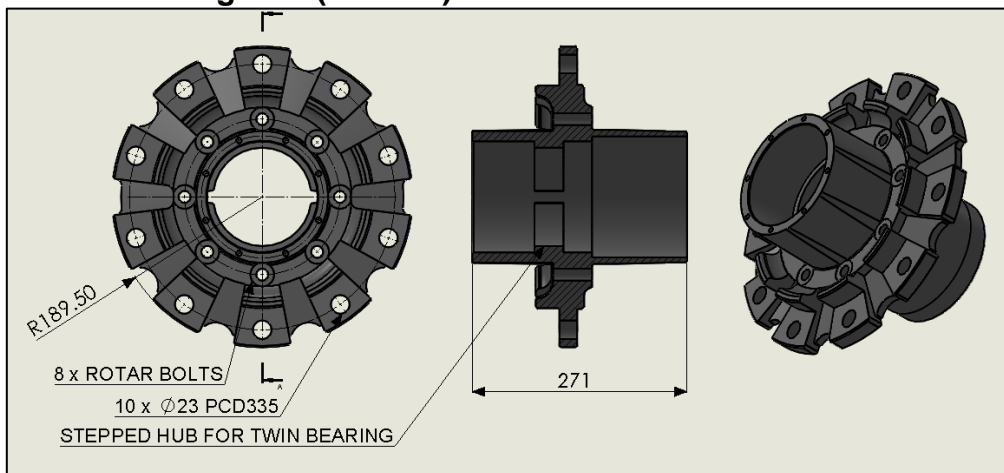
Wheel Bolt



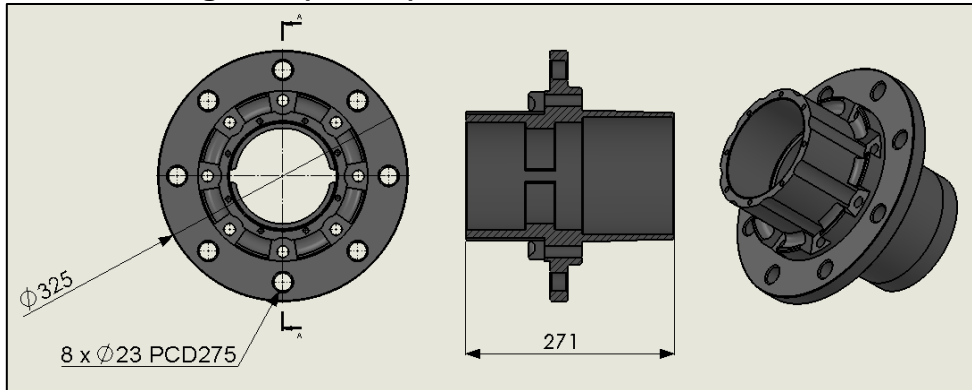
61245 – UniPac Bearing Hub (10 Stud)



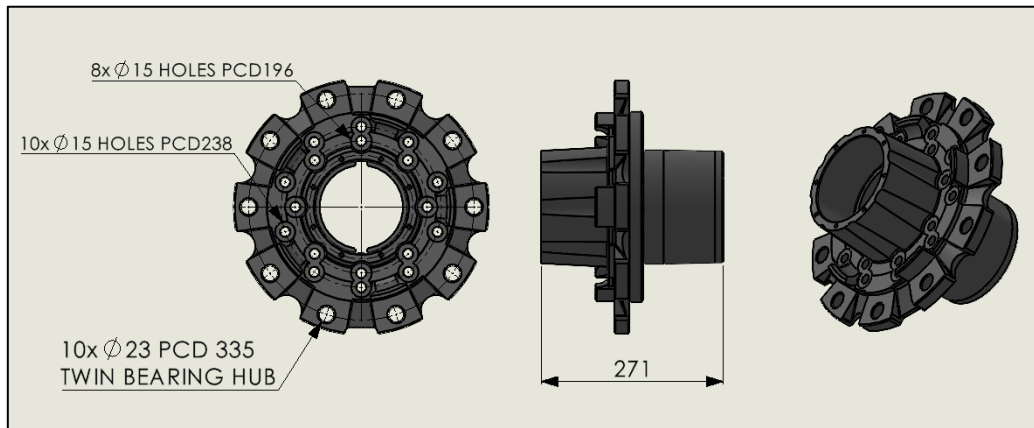
61231 – Twin Bearing Hub (10 Stud)



61232 – Twin Bearing Hub (8 Stud)



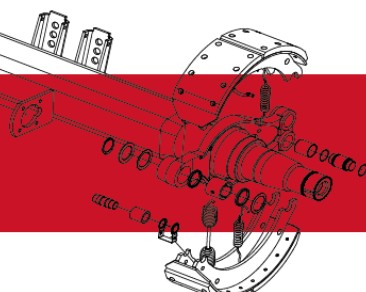
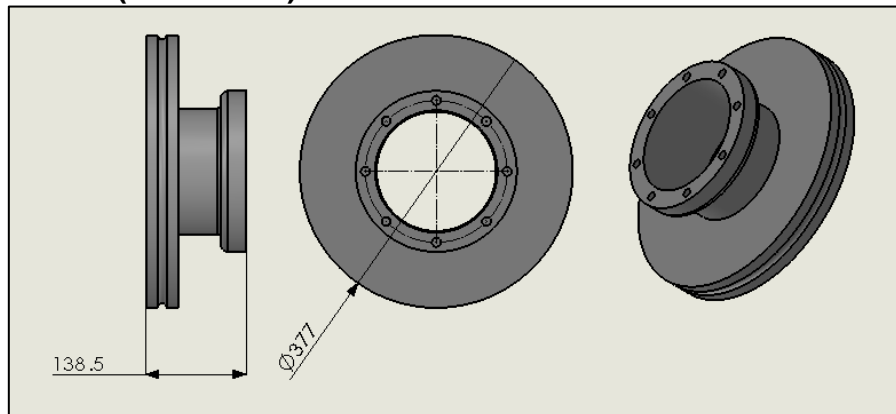
61278 – Twin Bearing Hub Universal (10 Stud)



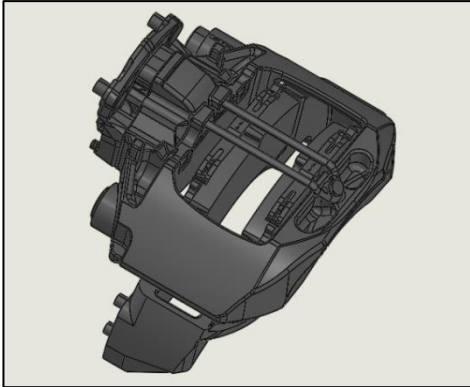
$\phi 377$ mm Disc Rotor

61247 – Knorr Bremse Disc (II30677)

61744 – WABCO (131 620 58)



19.5 Brake Caliper

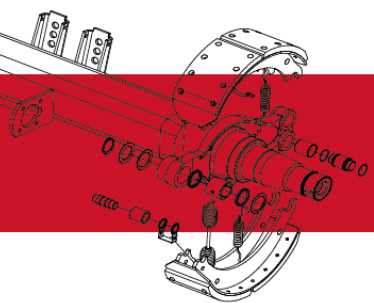


**61742 – WABCO Left Hand Caliper
(401 950 27)**

**61743 – WABCO Right Hand Caliper
(401 950 28)**

**61248 – Knorr Bremse Left Hand Caliper
(K011339)**

**61246 – Knorr Bremse Right Hand Caliper
(K011338)**



Ordering Of Sub-Assemblies

It is possible to order sub-assemblies of parts from Granning rather than ordering individual parts.



61245A – Single Wheel Stud Hub (UniPac 10 Stud) (discontinued)

Part Number	Quantity	Description
61245	1	UniPac Hub
61266	1	UniPac Bearing
61295	1	Snap Ring
61355	10	Single wheel studs
61381Z	10	M22 Wheel Nut

61232A – Single Wheel Stud Hub (Twin Bearing 8 Stud)

Part Number	Quantity	Description
61232	1	Twin Bearing 8 stud Hub
61296	2	Twin Bearing
54020	1	Oil Seal
61325	1	Disc brake hub cap
61335	1	Hub cap gasket
61358F	8	M8 x16 Fl.Head Screw
61355	8	M22 Single wheel stud
61381Z	8	M22 Wheel nut

6MTGCAP – Single Wheel Stud Hub (Twin Bearing 10 Stud)

Part Number	Quantity	Description
61278	1	Twin Bearing 10 stud Hub
61296	2	Twin Bearing
54020	1	Oil Seal
61325	1	Disc brake hub cap
61335	1	Hub cap gasket
61358F	8	M8 x16 Fl.Head Screw

We reserve the right to make changes to specifications or to make improvements to the products in this catalogue without prior notice. We are not responsible for inaccuracies or omissions.

