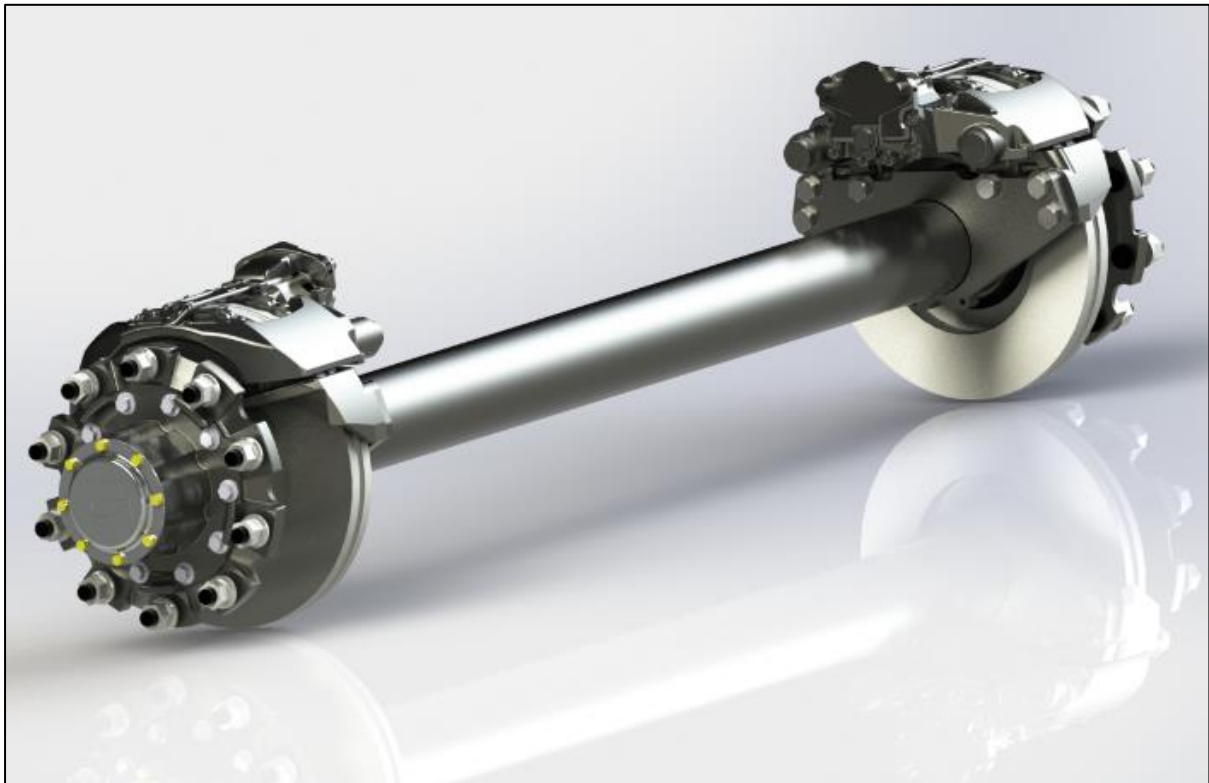


7000 SERIES DISC BRAKE AXLE



7000 series axle is TUV tested to 11,500Kg, please see website for test report.

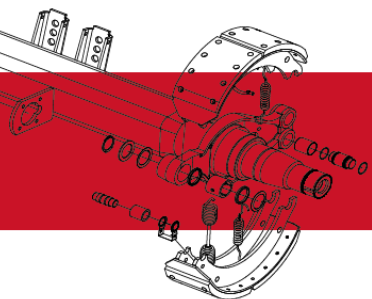
335mm PCD 10 stud M22 hub and drum. 280.8mm hub pilot.

Available in single and twin wheel stud.

Unipac/twin bearing hub or Offset hub

Service manual available on website

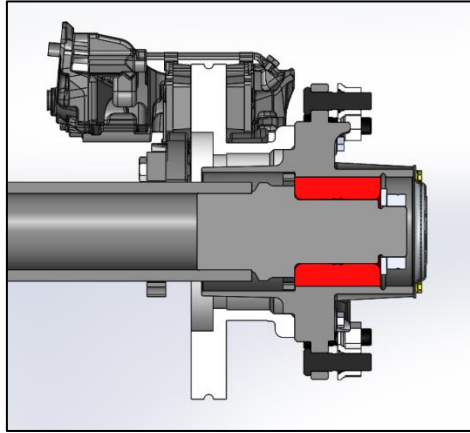
Please see following pages for part identification



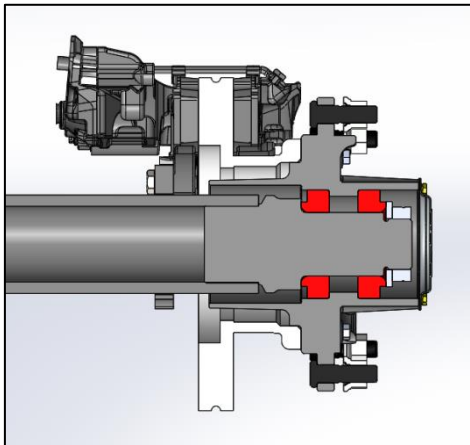


granning
axle and suspension solutions

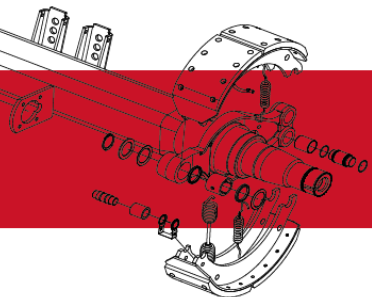
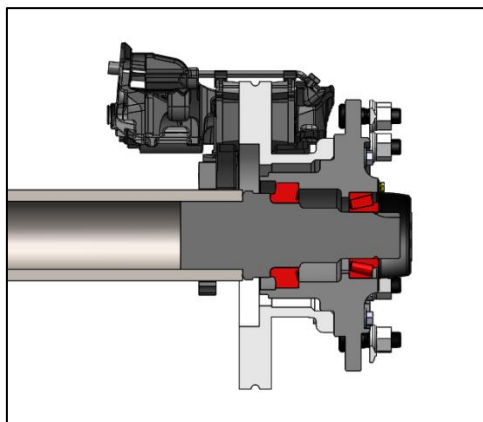
61277 UniPac hub with 61266 UniPac Bearing



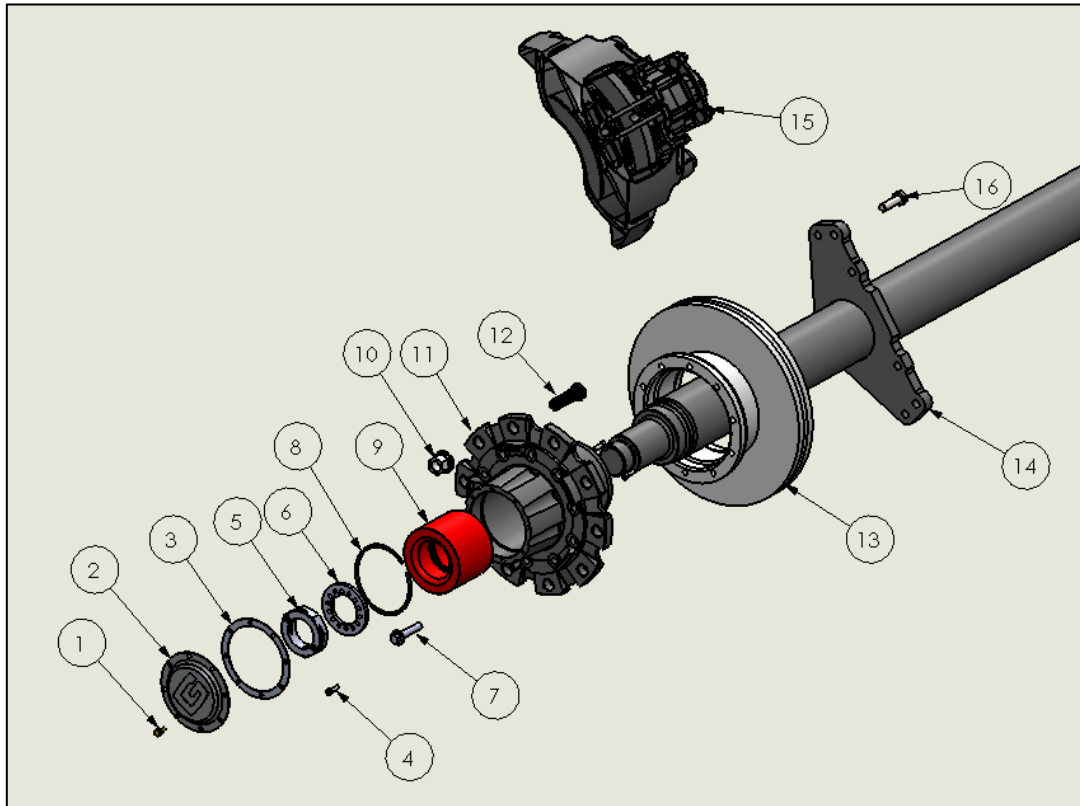
61278 Twin bearing hub with 61296 Twin Bearing



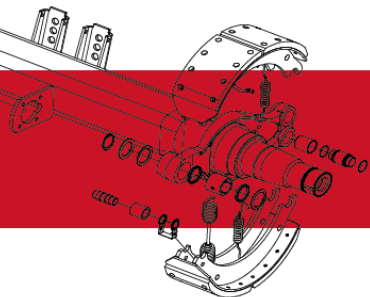
61492 Offset hub with 61264/61265 Bearing



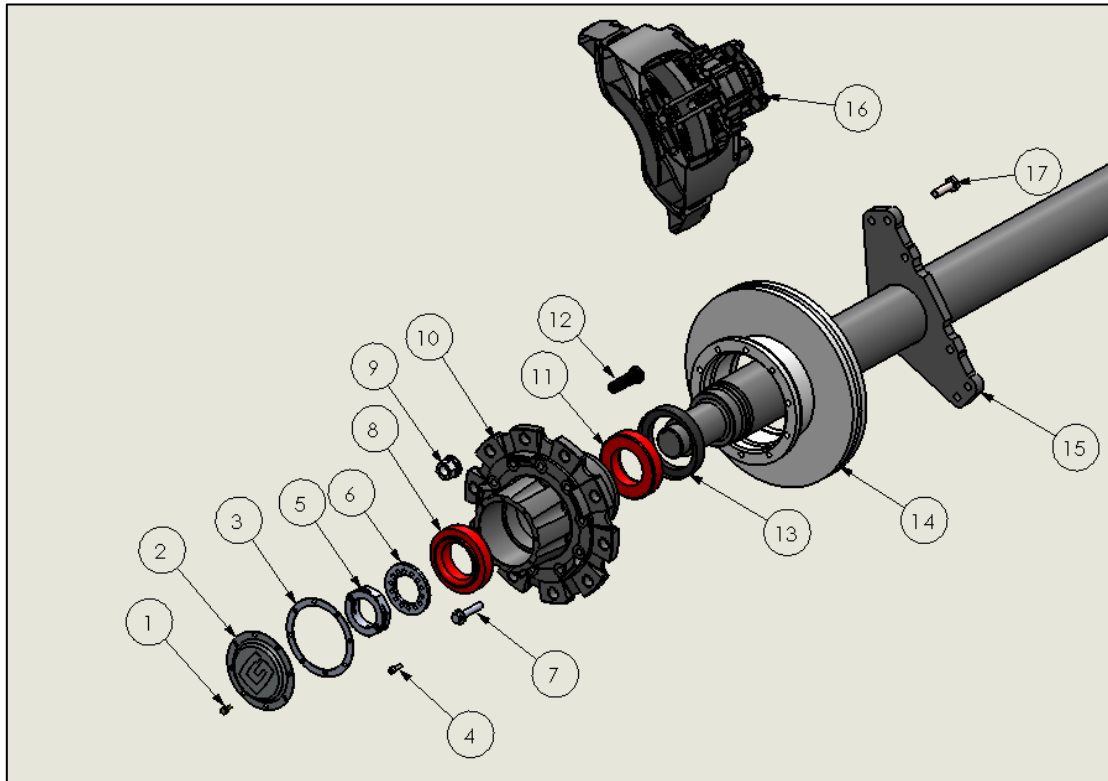
61277 UniPac Hub with 61266 UniPac Bearing



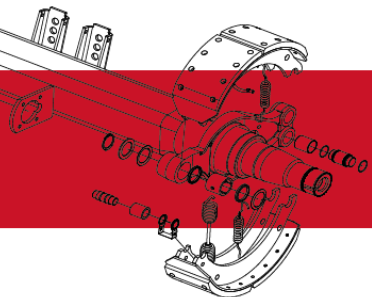
Item	Description	Part No.	QTY per Axle
1	M8 x16 Fl.Head Screw	61358F	16
2	Disc Brake Hub Cap (8 Hole)	61325	2
3	Hub Cap Gasket (8 Hole)	61335	2
4	Socket Cap Screw M8x25	61345	4
5	Lock Nut	61315	2
6	Spindle Lock Washer	61305	2
7	M14x70 Bolt	61357	20
8	Snap Ring	61295	2
9	UniPac Bearing	61266	2
10	ISO Wheel Nut M22	61381Z	20
11	UniPac Hub 10 Stud	61277	2
12	ISO Wheel Stud M22 (Single)	61355	20
	ISO Wheel Stud M22 (Twin)	61375	20
13	ø430mm Disc Rotor	61244	2
14	7000 Torque Plate	61012	2
15	Knorr Bremse Caliper Left/Right	61002/03	1/1
	WABCO Caliper Left/Right	61745/46	1/1
16	Caliper Bolt M16x55	61356	12



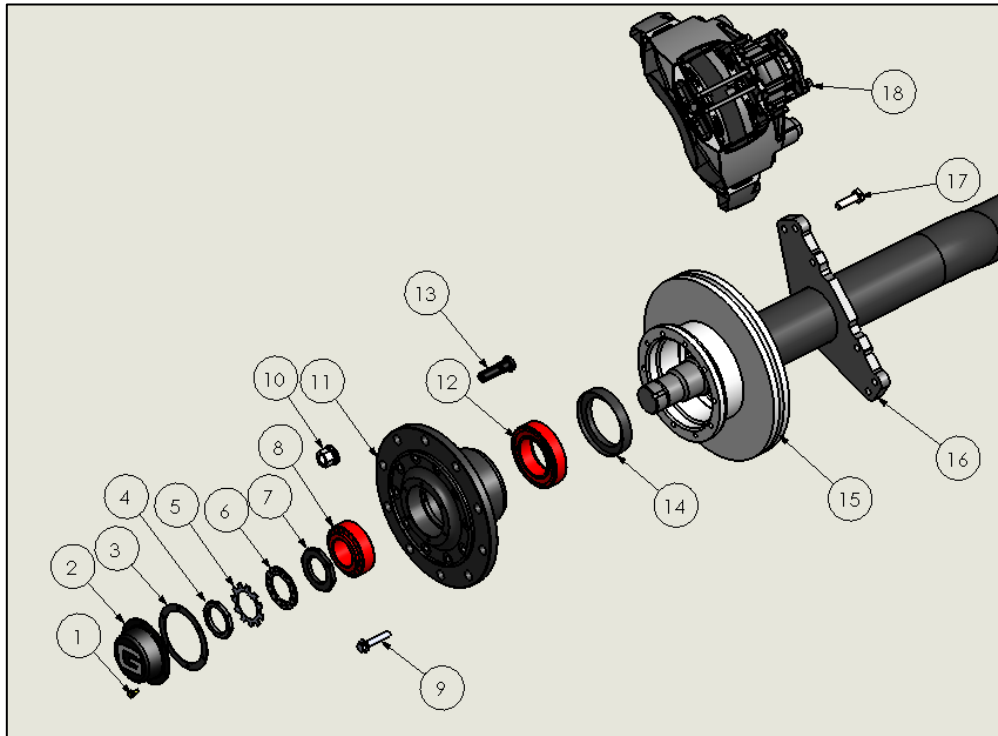
61278 Twin Bearing Hub with 61296 Twin Bearing



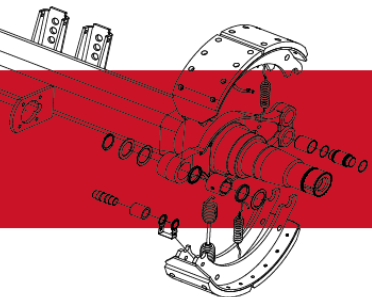
Item	Description	Part No.	QTY per Axle
1	M8 x16 Fl.Head Screw	61358F	16
2	Disc Brake Hub Cap (8 Hole)	61325	2
3	Hub Cap Gasket (8 Hole)	61335	2
4	Socket Cap Screw M8x25	61345	4
5	Lock Nut	61315	2
6	Spindle Lock Washer	61305	2
7	M14x70 Bolt	61357	20
8/11	Twin Bearing	61296	4
9	ISO Wheel Nut M22	61381Z	20
10	Universal hub Twin Bearing 10 stud	61278A	2
12	ISO Wheel Stud M22 (Single)	61355	20
	ISO Wheel Stud M22 (Twin)	61375	20
13	Oil Seal	54020	2
14	Ø430 Disc Rotor	61244	2
15	7000 Torque Plate	61012	2
16	Knorr Bremse Caliper Left/Right	61002/03	1/1
	WABCO Caliper Left/Right	61745/46	1/1
17	Caliper Bolt M16x55	61356	12



61492 Offset Hub with 61260F/61270F Bearing



Item	Description	Part No.	QTY per Axle
1	M8 x16 Fl.Head Screw	61358F	12
2	Hub Cap (6 Hole)	61322F	2
3	Hub Cap Gasket (6 Hole)	61330F	2
4	Lock Nut	61310	2
5	Tab Washer	61311	2
6	Lock Washer	61300	2
7	Adjusting nut	61290	2
8	Outer Bearing	61270F	2
9	M14x70 Bolt	61357	20
10	ISO Wheel Nut M22	61381Z	20
11	Offset Hub 10 Stud	61492	2
12	Inner Bearing	61260F	2
13	ISO Wheel Stud M22 (Single)	61355	20
	ISO Wheel Stud M22 (Twin)	61375	20
14	Oil Seal	54020	2
15	∅430 Disc Rotor	61244	2
16	7000 Torque Plate	61012	2
17	Caliper Bolt M16x55	61356	12
18	Knorr Bremse Caliper Left/Right	61002/03	1/1
	WABCO Caliper Left/Right	61745/46	1/1

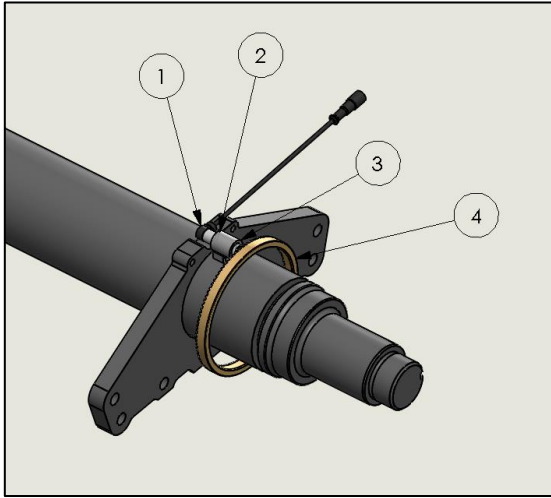




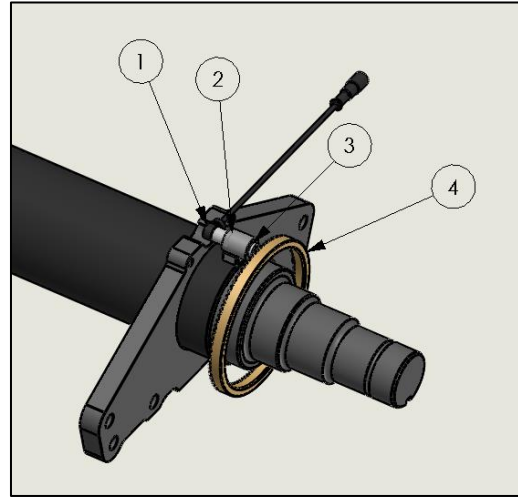
granning

axle and suspension solutions

7000 Series ABS Assembly

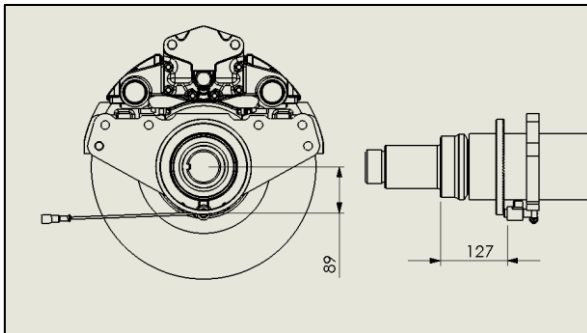


UniPac & Twin Bearing Setup

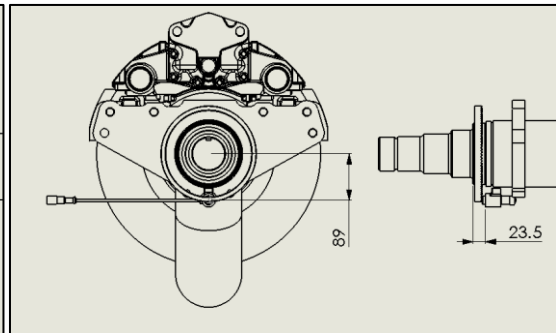


61260F/70F Bearing Setup

Item	Description	Part No.
1	Pole Wheel (100 tooth)	61789
2	Sensor Block	61781
3	Dust Cover Grommet	61557
4	Single Sensor Lead	61791



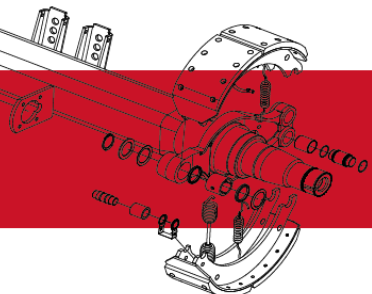
Twin/UniPac Hub ABS block position



Offset hub ABS block position

Pole wheel at 178mm PCD

Off set hub with stepped spindle sensor block 23.5mm from large bearing shoulder.
Twin/UniPac bearing hub with parallel spindle sensor block 127mm from large bearing shoulder.

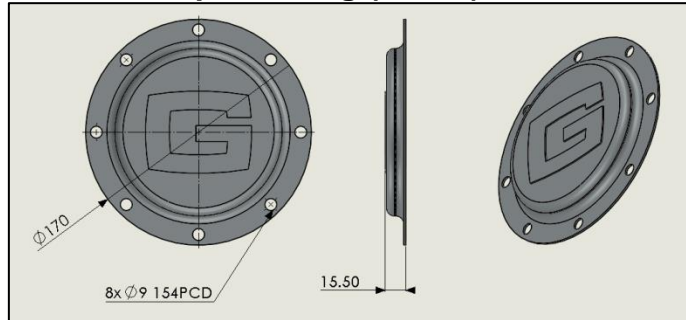




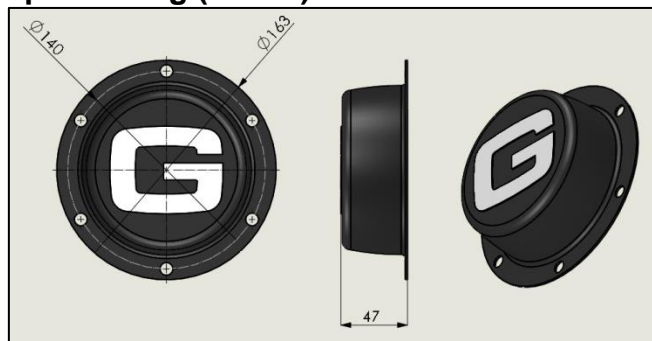
granning

axle and suspension solutions

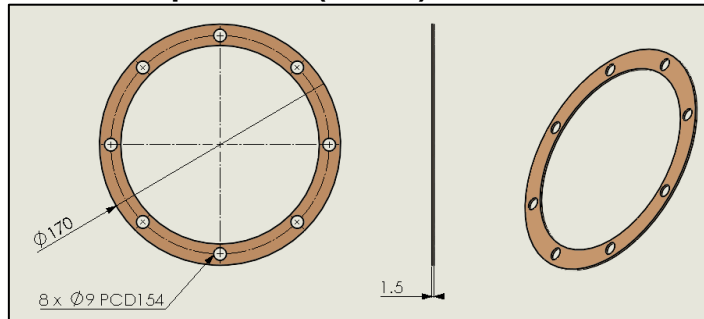
61325 – Disc Brake G Hub Cap Pressing (8 hole)



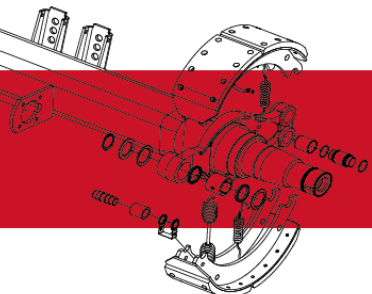
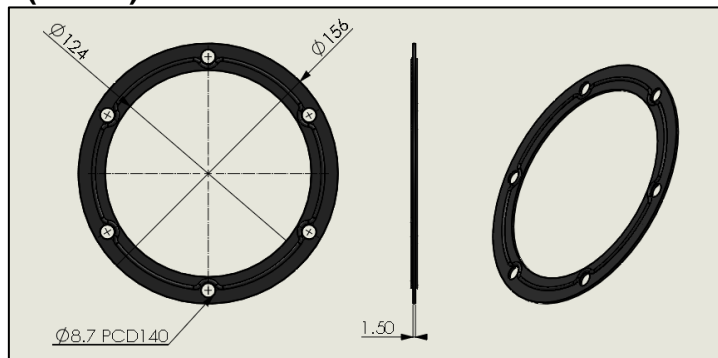
61322F – G Hub Cap Pressing (6 hole)



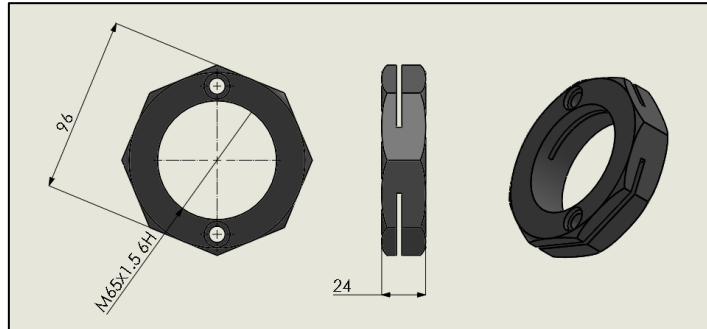
61335 – Disc Brake Hub Cap Gasket (8 hole)



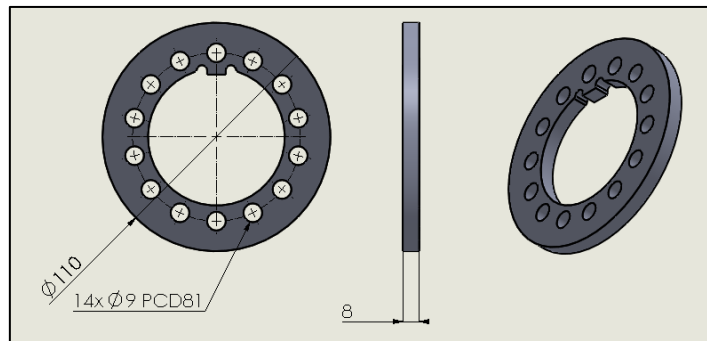
61330F – Gasket (6 hole)



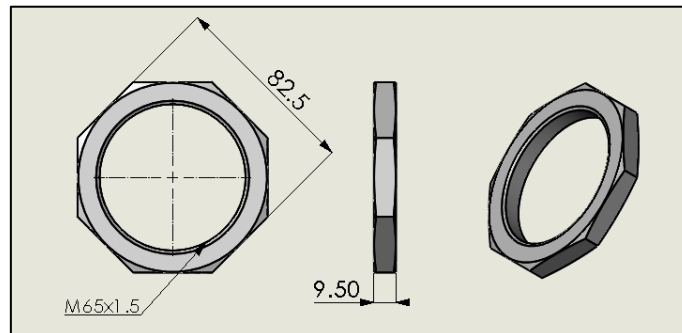
61315 – Lock nut



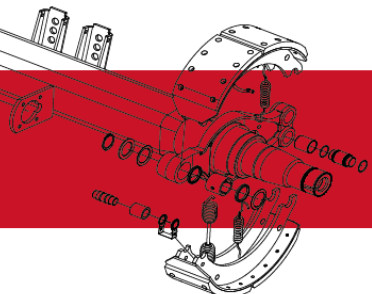
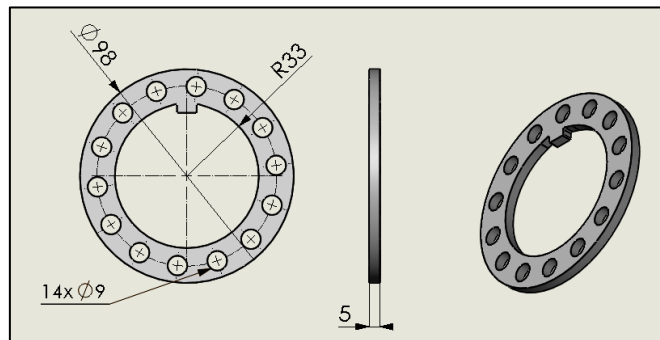
61305 – Spindle lock washer



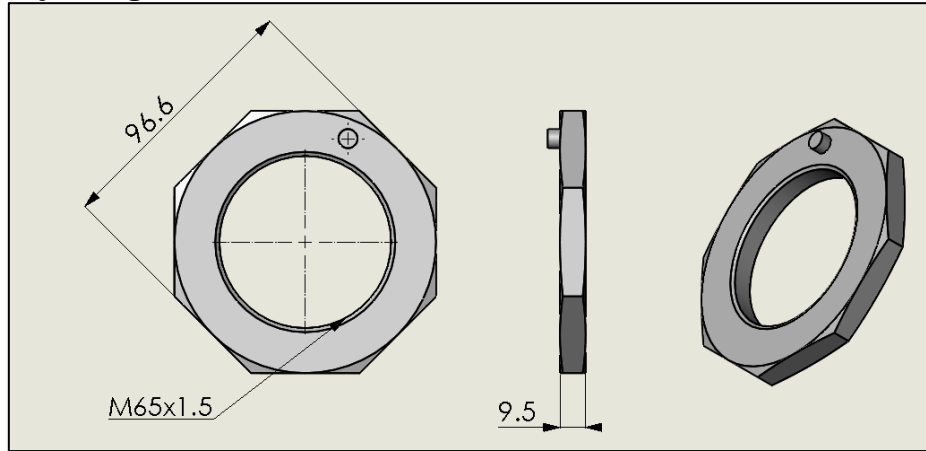
61310 – Locknut



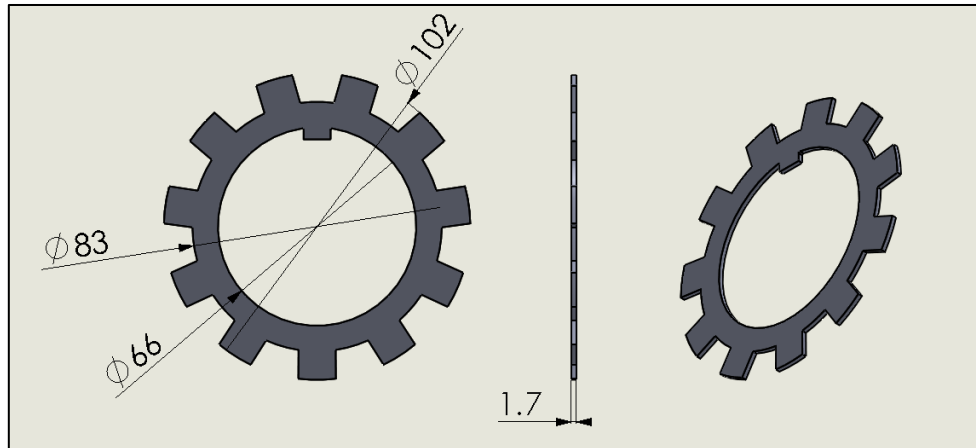
61300 – Lock Washer



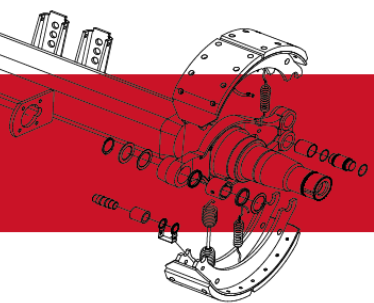
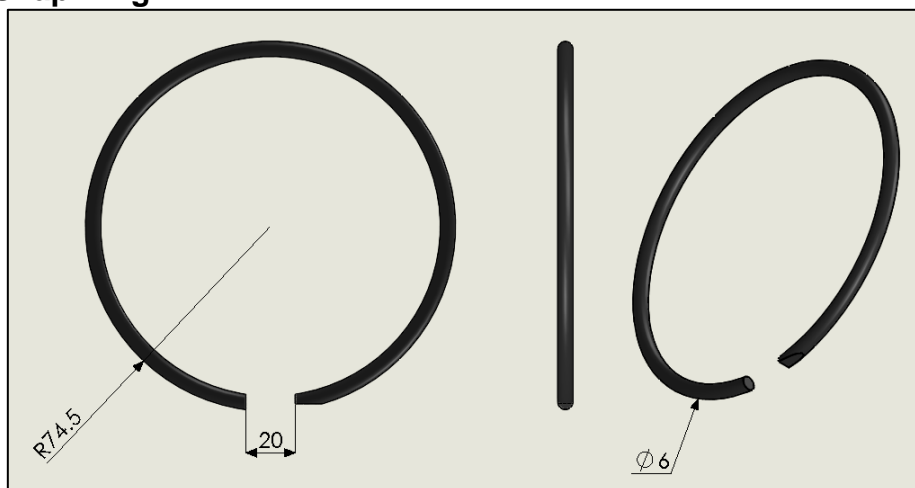
61290 – Adjusting Nut



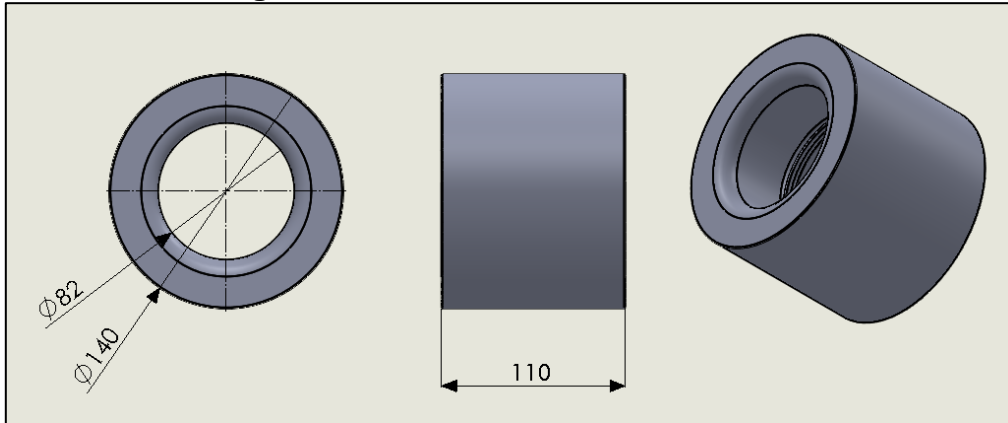
61311 – Tab Washer



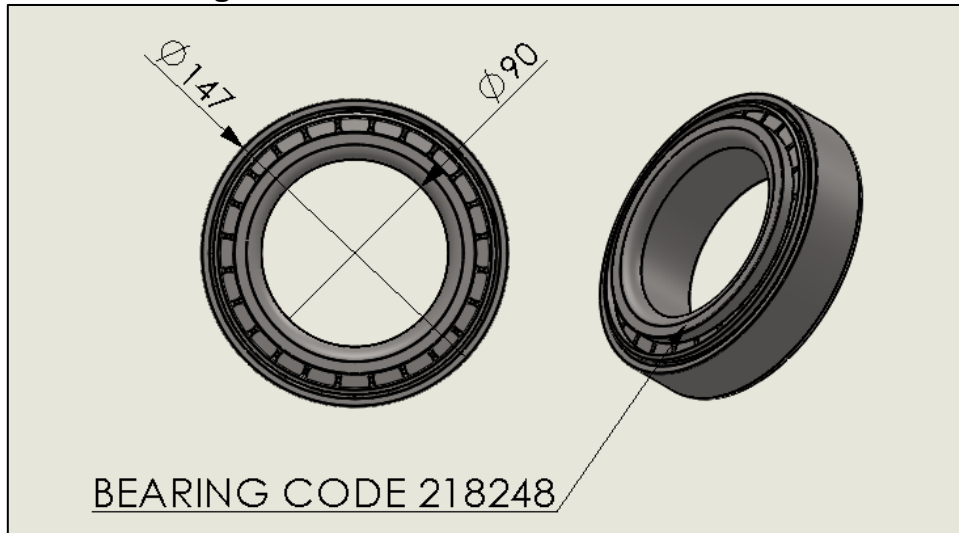
61295 – Snap Ring



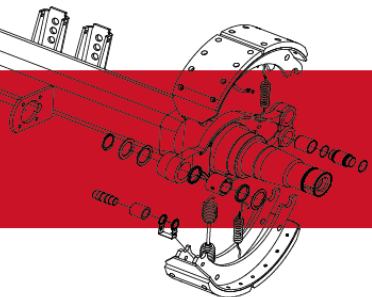
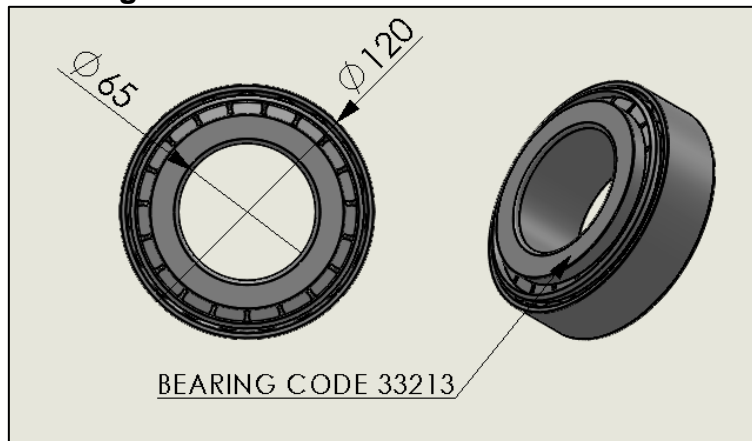
61266 – UniPac Bearing



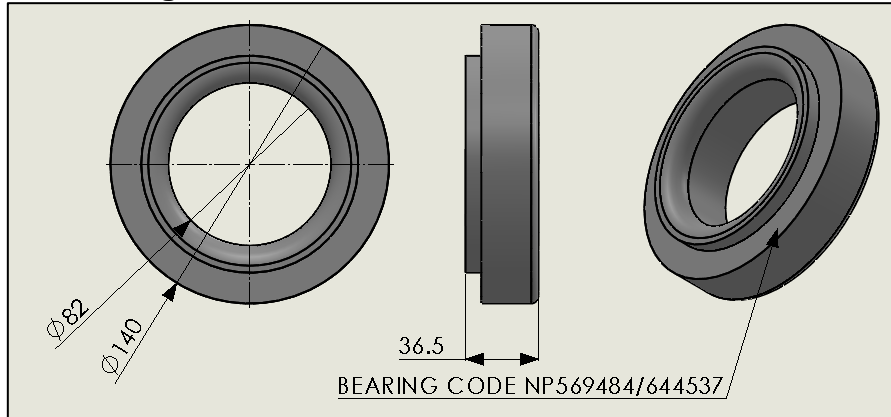
61260F – Inner bearing and cone



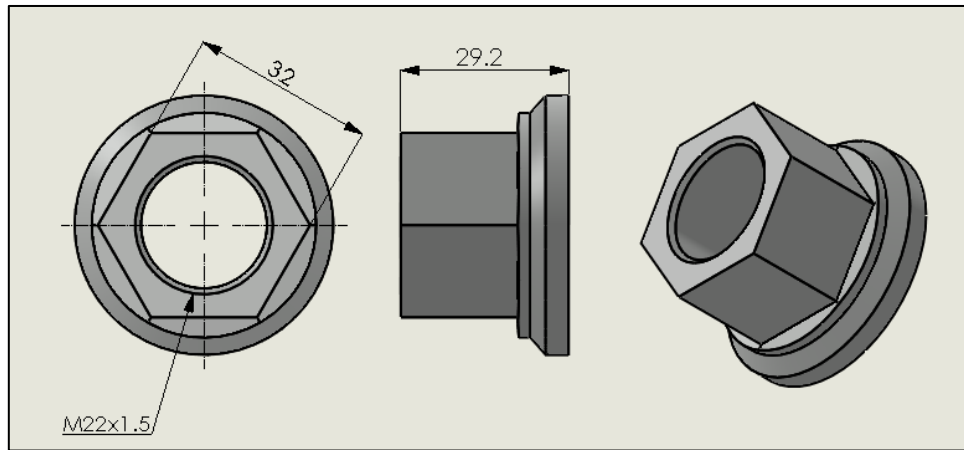
61270F – Outer bearing and cone



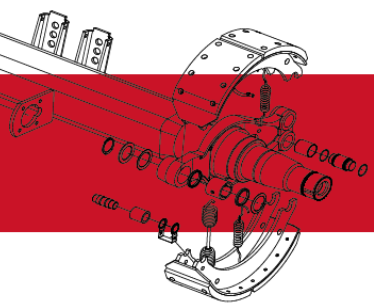
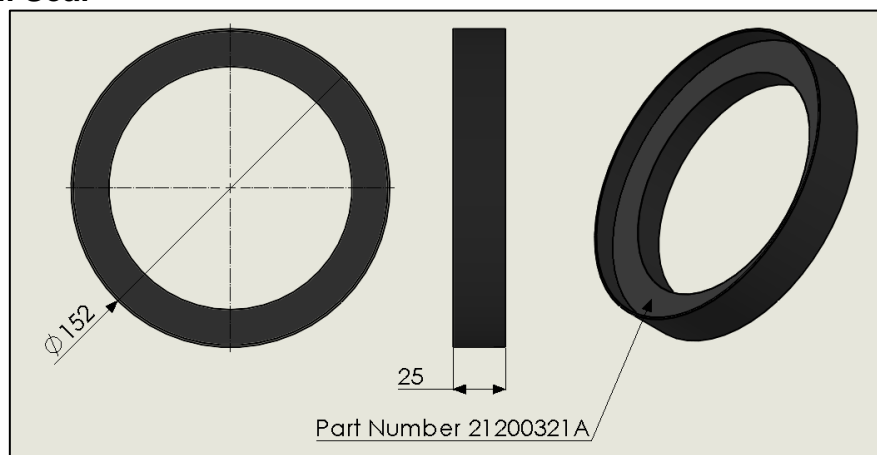
61296 – Twin Bearing



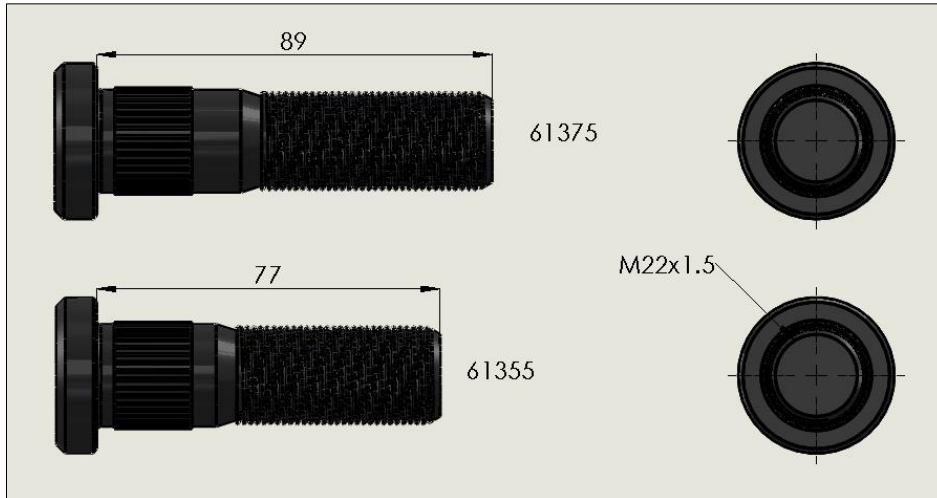
61381Z – M22 ISO Wheel Nut



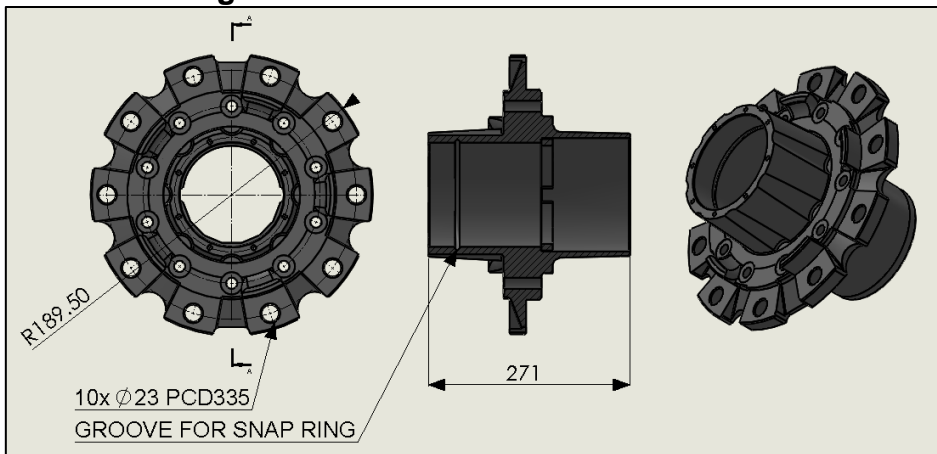
54020 – Oil Seal



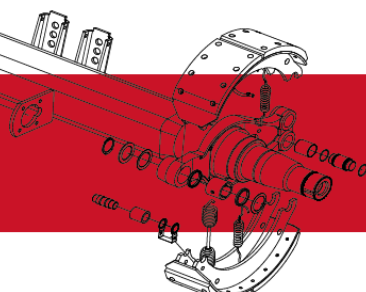
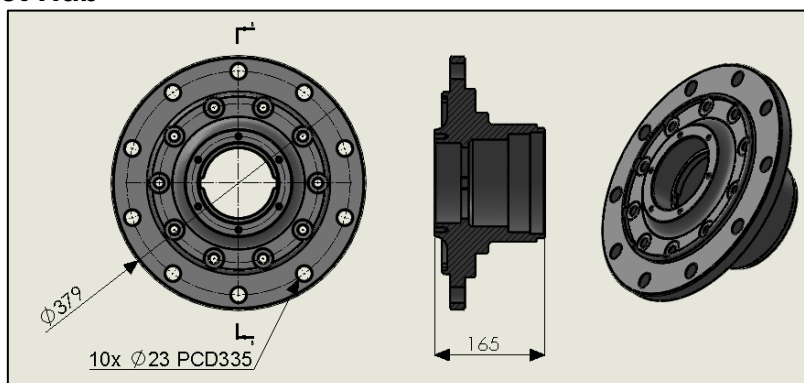
Wheel Bolt



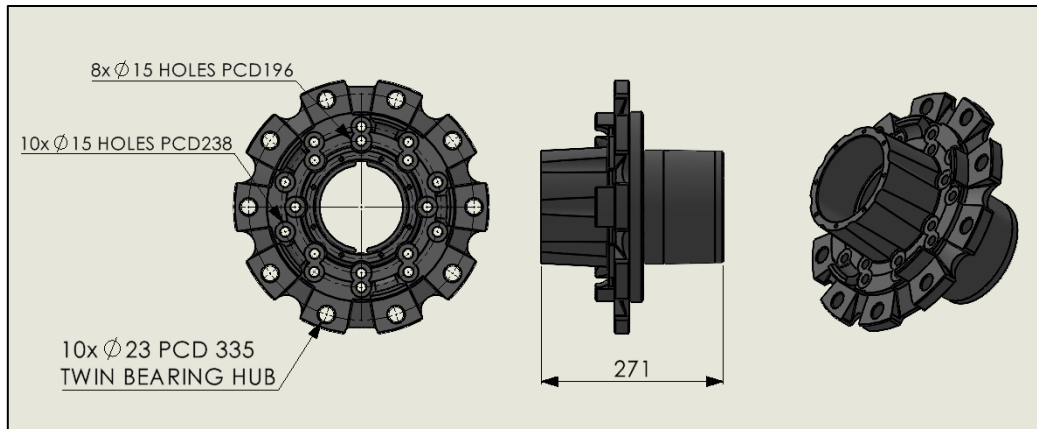
61277 – UniPac Bearing Hub



61492 – Offset Hub

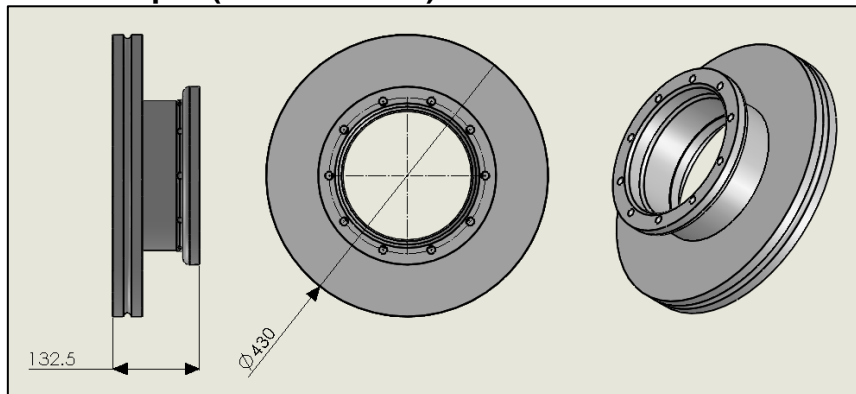


61278 – Twin Bearing Hub Universal (10 Stud)

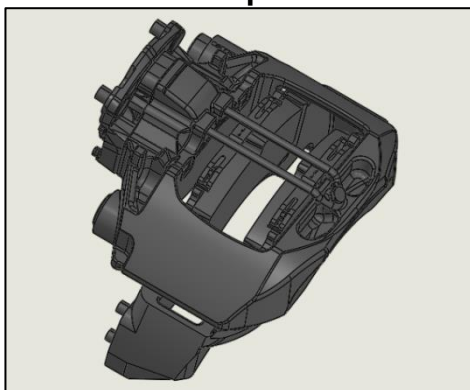


61244 – Ø430mm Disc Rotor

61244 – Knorr Bremse Caliper (II37638)
61747 – WABCO Caliper (662 225 610 4)



22.5 Brake Caliper

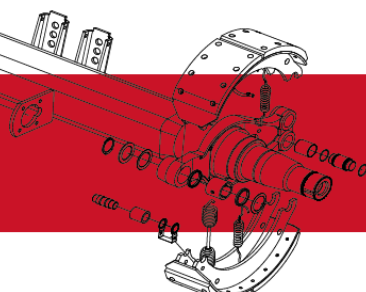


61745 – WABCO Left Hand Caliper
(402 250 11)

61746 – WABCO Right Hand Caliper
(402 250 12)

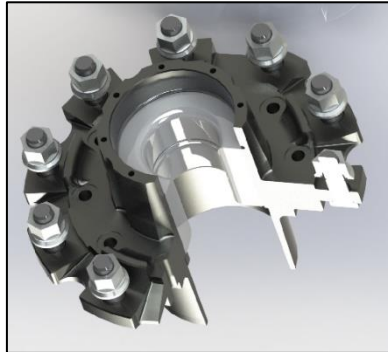
61002 – Knorr Bremse Left Hand Caliper
(K011302)

61003 – Knorr Bremse Left Hand Caliper
(K011303)



Ordering Of Sub-Assemblies

It is possible to order sub-assemblies of parts from Granning rather than ordering individual parts.



61277A – Single Wheel Stud Hub (UniPac)

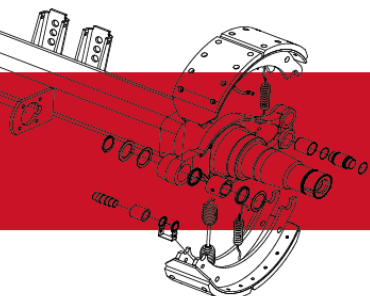
Part Number	Quantity	Description
61277	1	UniPac Hub
61266	1	UniPac Bearing
61295	1	Snap Ring
61355	10	Single wheel studs
61381Z	10	M22 Wheel Nut

61277A (MTT) – Twin Wheel Stud Hub (UniPac)

Part Number	Quantity	Description
61277	1	UniPac Hub
61266	1	UniPac Bearing
61295	1	Snap Ring
61375	10	Twin wheel studs
61381Z	10	M22 Wheel Nut

61278A – Twin Wheel Stud Hub (Twin Bearing)

Part Number	Quantity	Description
61278	1	Twin Bearing Hub
61296	2	Twin Bearing
54020	1	Oil Seal
61375	10	Twin wheel studs
61381Z	10	M22 Wheel Nut
61325	1	Disc Brake Hub Cap
61335	1	Hub Cap Gasket
61358F	8	M8 x16 Fl.Head Screw



HCL – Hub Cap and spindle nut assembly (Offset Hub)

Part Number	Quantity	Description
61330F	2	Hub Cap Gasket
61322F	2	Hub cap
61358F	12	M8 bolts
61310	2	Lock nut
61300	2	Lock washer
61311	2	Tab washer
61290	2	Adjusting nut
96366F	12	M8 serrated washer

61492GCAP – Single Wheel Stud Hub (Offset Hub)

Part Number	Quantity	Description
61492	1	Offset Hub
54020	1	Oil Seal
61355	10	Single wheel studs
61381Z	10	M22 Wheel Nut
61330	1	Hub Cap Gasket
61322F	1	Hub cap
61358F	6	M8 x16 Fl.Head Screw
61260F	1	Inner bearing
61270F	1	Outer bearing

We reserve the right to make changes to specifications or to make improvements to the products in this catalogue without prior notice. We are not responsible for inaccuracies or omissions.

