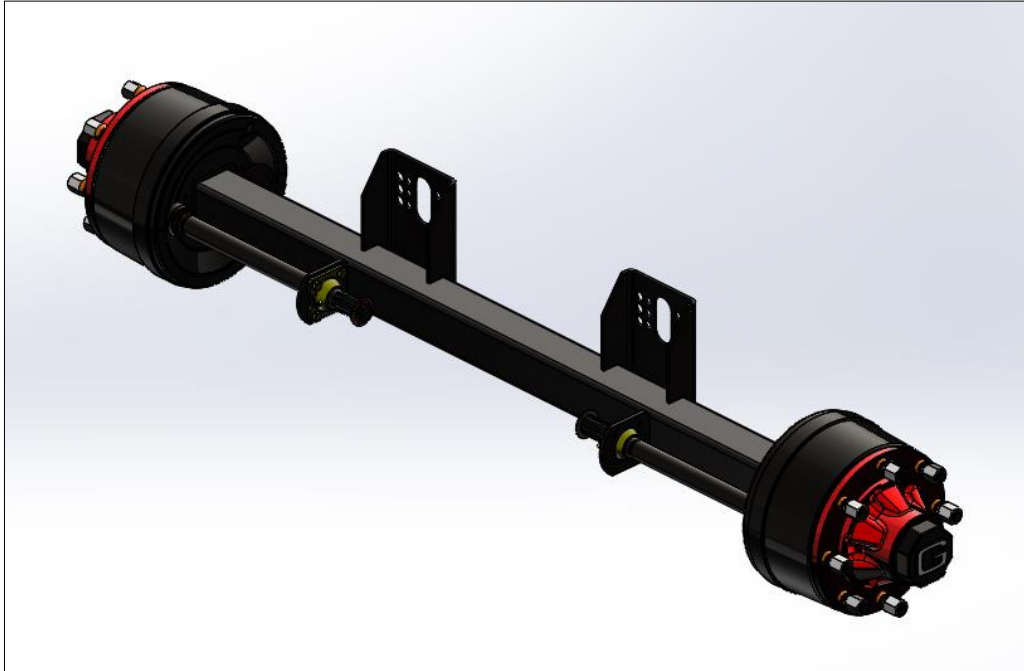


## 300 X 135 – 750 SERIES AXLE



**750 series axle is TUV tested to 8000Kg, please see website for test report.**

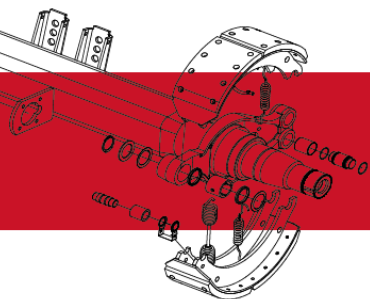
**275mm PCD, 8 stud, M20 hub and drum. ø220mm hub pilot.**

**Available in twin wheel stud.**

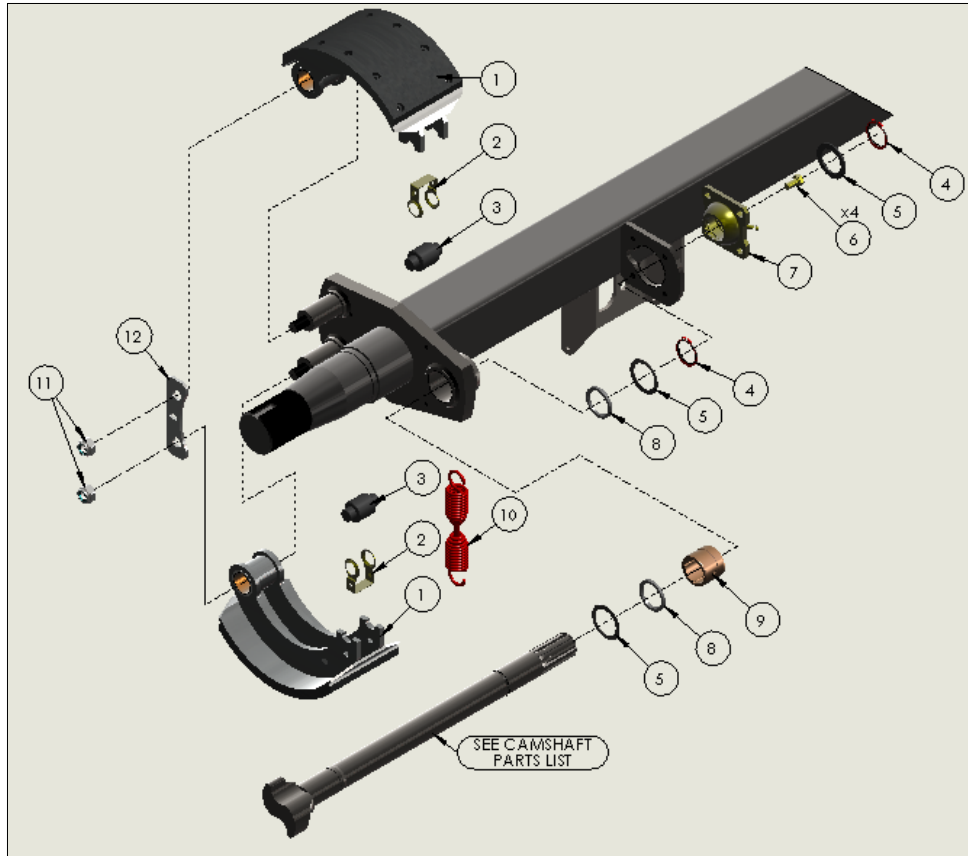
**10 spline camshaft**

**Service manual available on website**

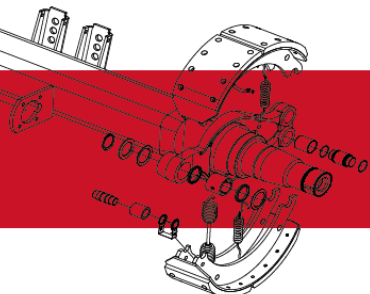
**Please see following pages for part identification**



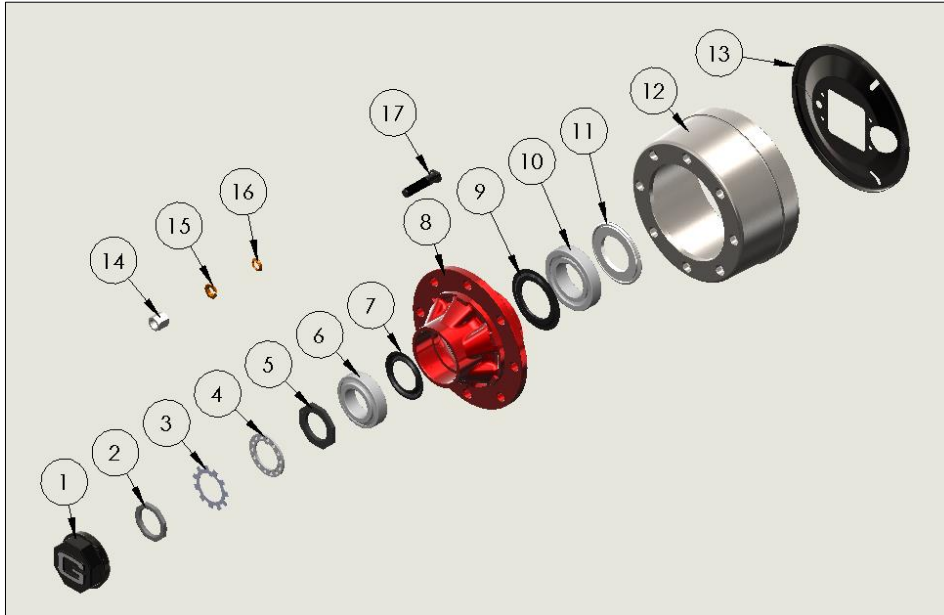
## 300 x 135 – 750 Series Quick Fit Brake Assembly



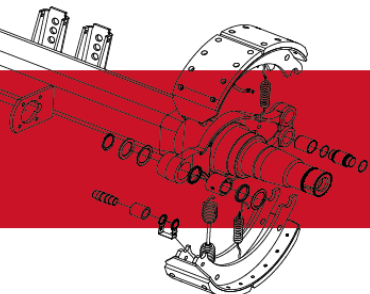
Item	Description	Part No.	QTY. per Axle
1	Brake Shoe Assembly	68105	4
1a	Spring Anchor Bar	61150	4
2	Cam Roller Retainer	61220	4
3	Cam Roller	61235	4
4	Circlip	61120	4
5	1.5mm washer	68159	2
6	M10 x 20mm Hex Bolt	61359	8
7	Camshaft Spherical Bearing	61080	2
8	Camshaft Grease Seal	61056	4
9	Camshaft Sintered Bush	61055	2
10	Brake Shoe Return Spring	68155	4
11	M16x1.5 Locknut	71720	2
12	ABS Mounting Bracket	68109	2



## 300 x 135 – 750 Series Hub/Drum Assembly



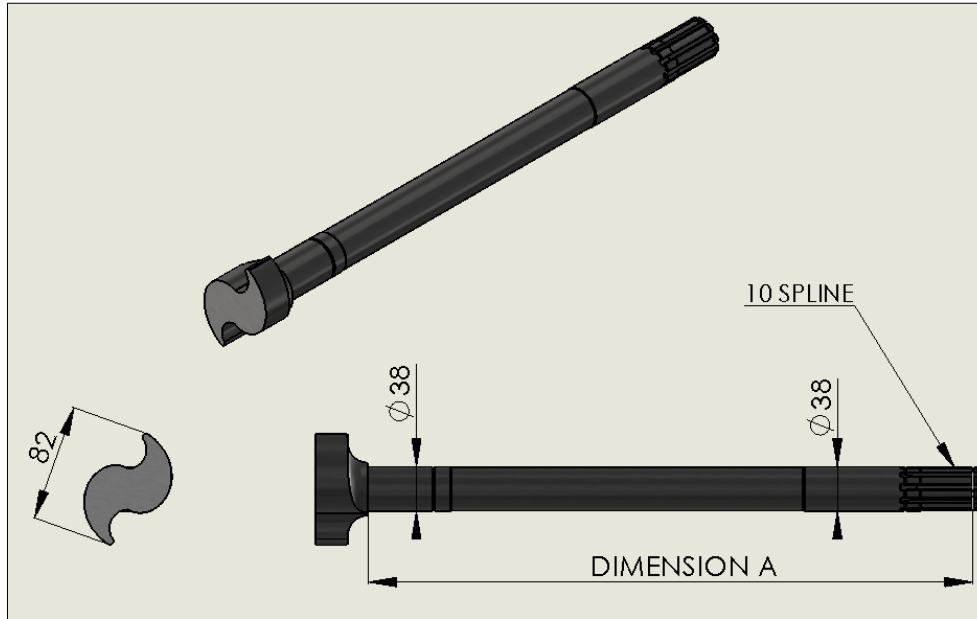
Item	Description	Part No.	QTY. per Axle
1	Hub Cap Pressing "G"	61326	2
2	Locknut	61310	2
3	Tab Washer	61311	2
4	Lock Washer	61300	2
5	Adjusting Nut	61290	2
6	Outer Bearing	61276	2
7	Outer Bearing Grease Retainer	68162	2
8	Hub Spigot 8 Stud	68120	2
9	Inner Bearing Grease Retainer	68163	2
10	Inner Bearing	61275	2
11	Unitised Grease Seal	68160B	2
12	Brake Drum 8 Stud	68130	2
13	Dust Cover with Lip	61374	2
	Old Version Flat Two-Piece Dust Cover	68156	4
14	Wheel Nut M20 - DIN	68154	16
15	DIN Cone Washer - Outer	68153	16
16	DIN Cone Washer - Inner	68152	16
17	Wheel Bolt M20 (Twin)	68150	16
	Wheel Bolt M20 (Single)	97567	16
	Dust Cover Bolt – M8 x 16mm	61358	8





**granning**  
axle and suspension solutions

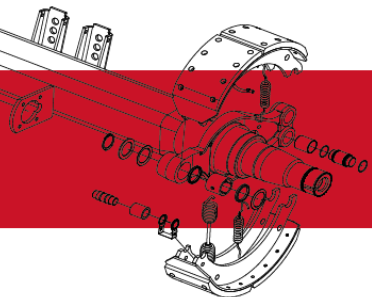
## 300 x 135 – 750 Series Camshaft Parts List



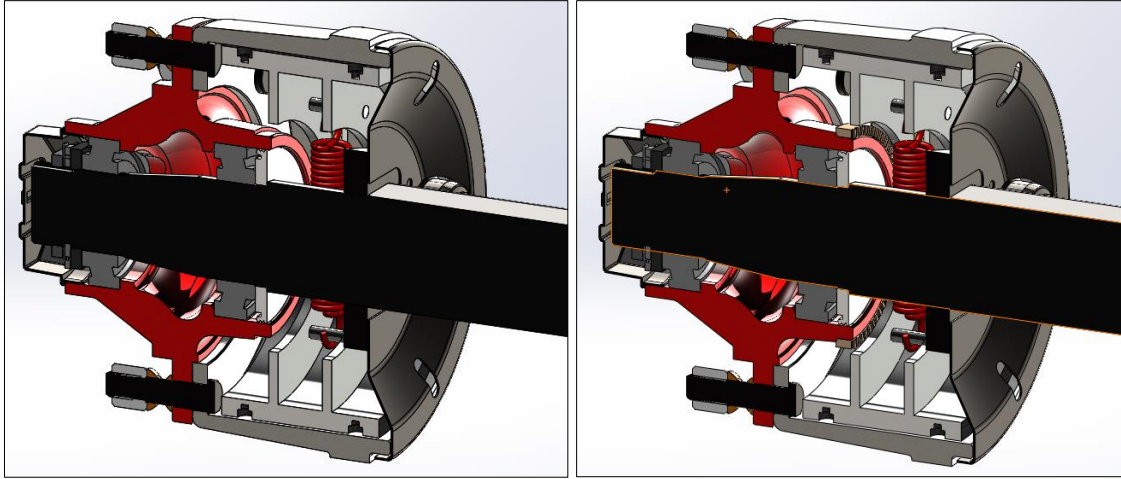
Item	Description (DIM A)	Part No.
1	Left Hand Small Head (175mm)	61153
2	Right Hand Small Head (175mm)	61154
3	Left Hand Small Head (212mm)	61591
4	Right Hand Small Head (212mm)	61601
5	Left Hand Small Head (430mm)	61600
6	Right Hand Small Head (430mm)	61610
7	Left Hand Small Head (519mm)	61595
8	Right Hand Small Head (519mm)	61605
9	Left Hand Small Head (680mm)	61617
10	Right Hand Small Head (680mm)	61627

Camshaft lengths are measured from under head to the centre of last circlip groove.

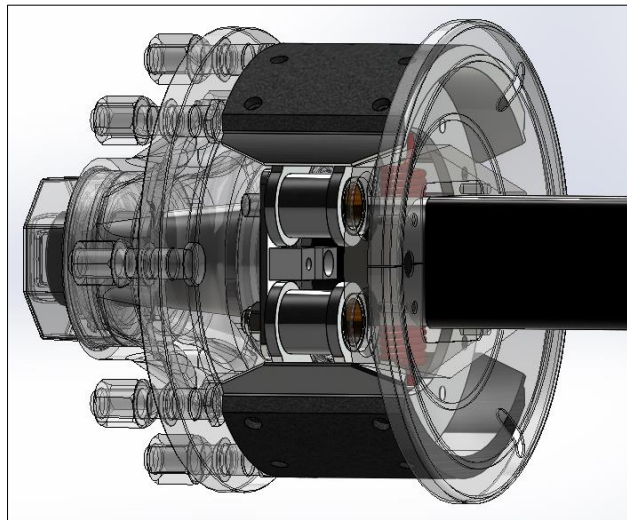
The illustrated camshaft is a right hand camshaft. When looking at the head of the camshaft a right hand cam is Z shaped and a left hand is S shaped



## 300 x 135 – 750 Series ABS/Anti-Lock Assembly



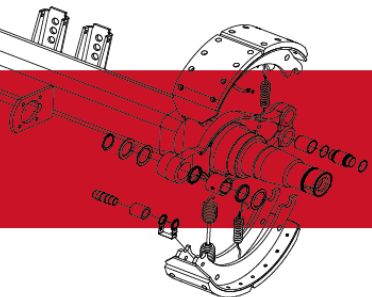
750 Series Axles with and without ABS Pole Wheel mounted to rear of hub.



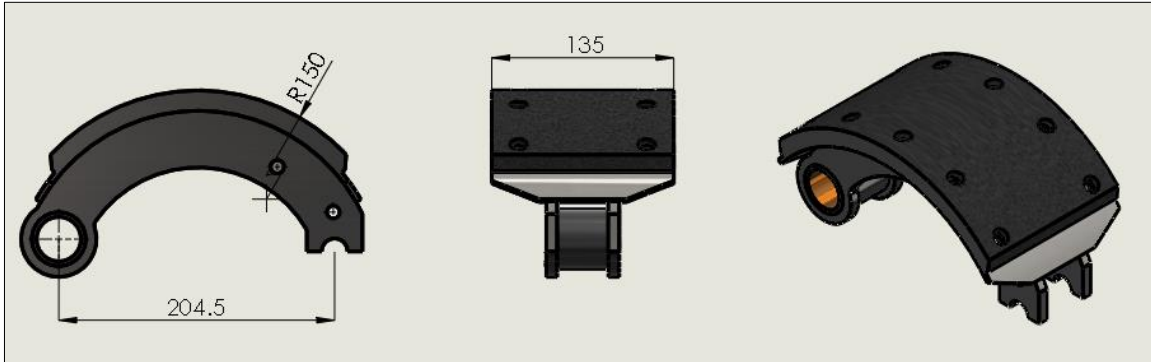
Sensor Block Position on the axle

Description	Part No.	QTY. per Axle
80 Teeth Pole Wheel	61787	2
Sensor Block	68108	2
Dust Cover Grommet	61557	2
90° Sensor Lead & Bush	61786	2

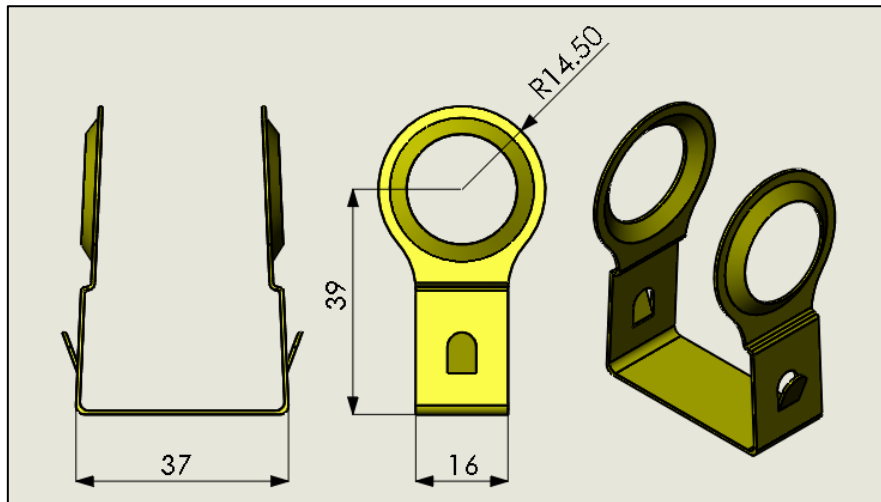
The ABS Block (68108) is bolted to the plate (68109) using an M8 x 30mm bolt and locknut. No welding is required. An 80 teeth pole wheel is then pushed down over the back of the hub. Pole Wheel and sensor block drawings can be found below.



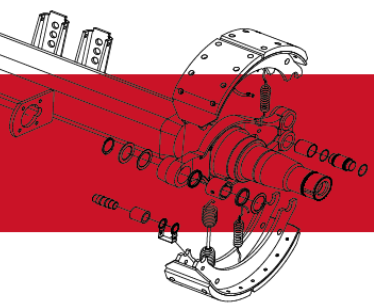
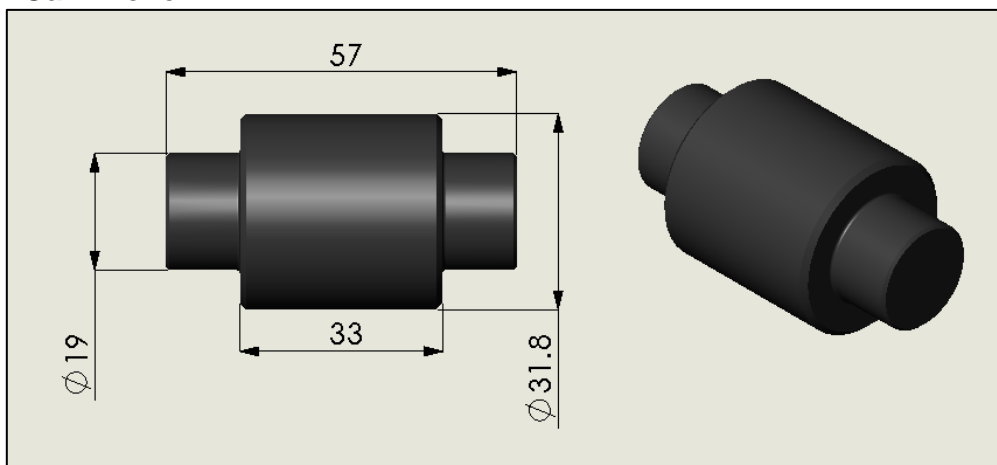
## 68105 – Brake Shoe Assembly



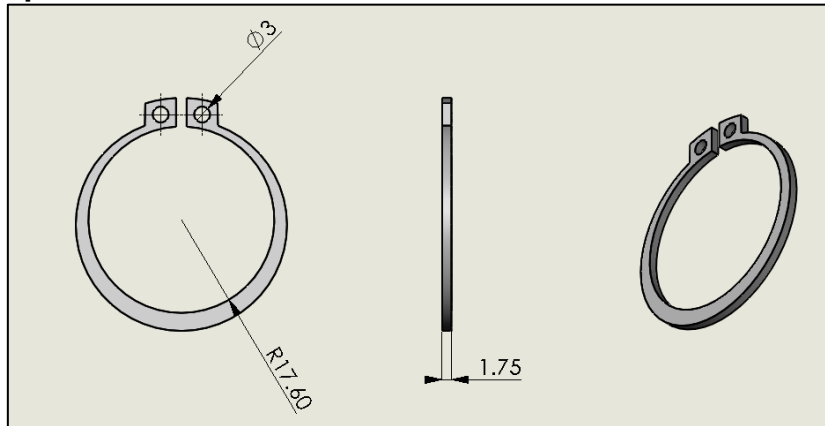
## 61220 – Retainer Cam Roller



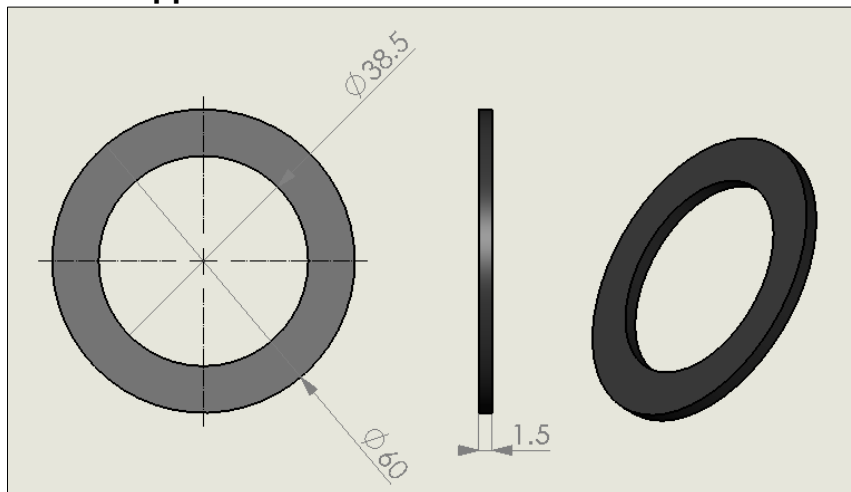
## 61235 - Cam Roller



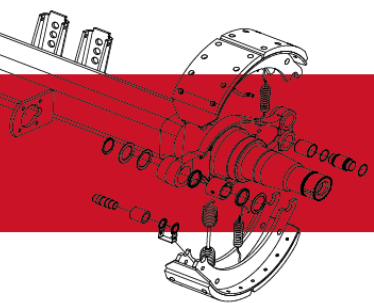
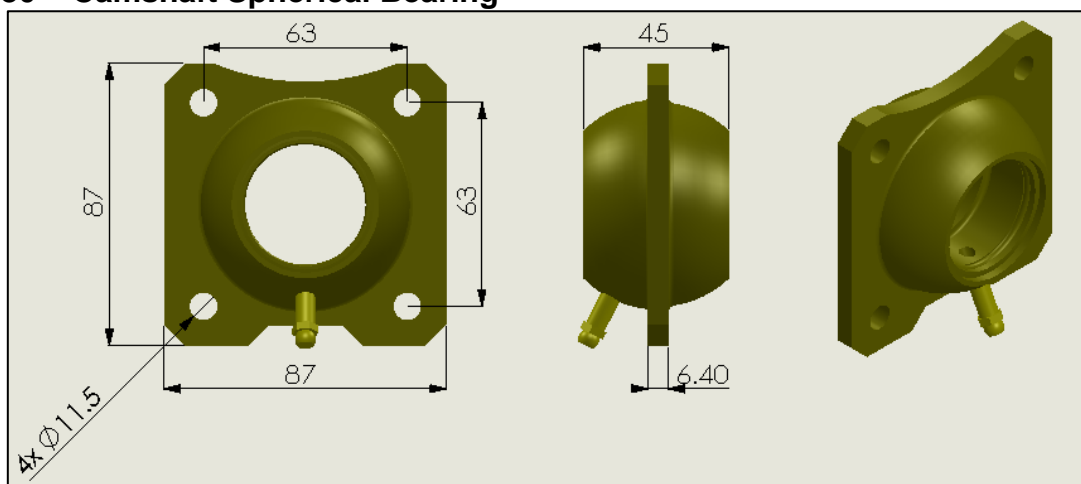
## 61120 – Circlip



## 68159 – Camshaft Support Washer

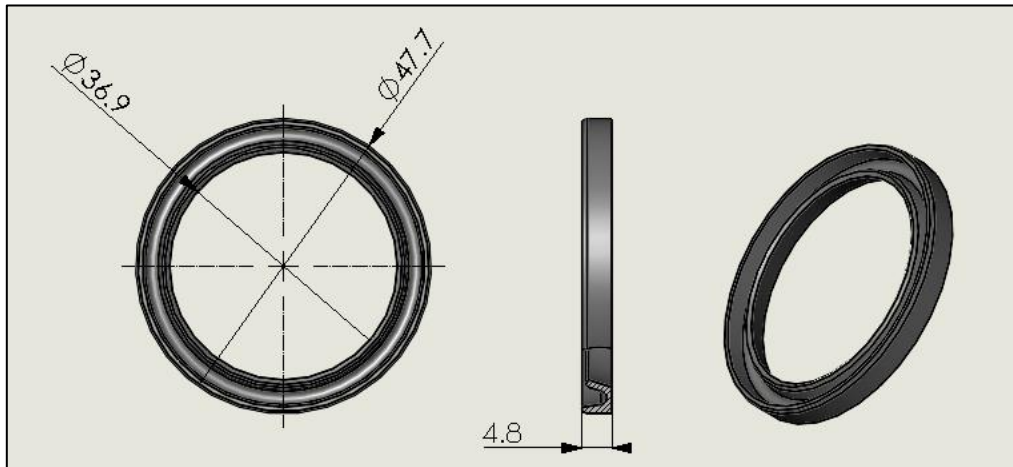


## 61080 – Camshaft Spherical Bearing

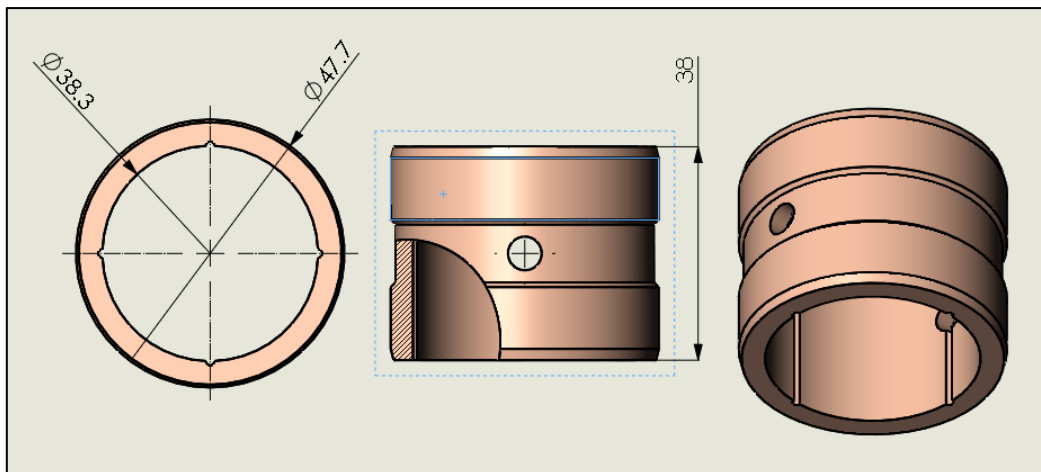




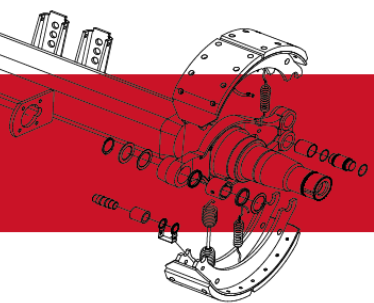
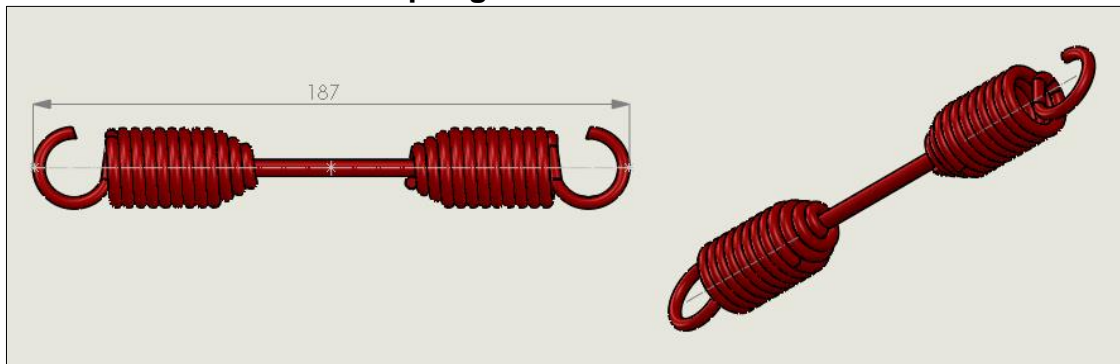
**61056 – Camshaft Grease Seal**



**61055 – Camshaft Sintered Bush**

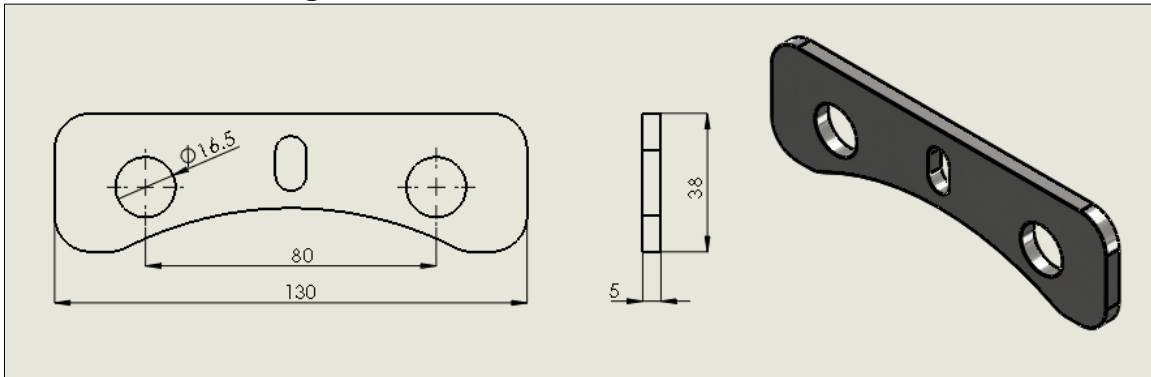


**68155 – Brake Shoe Return Spring**





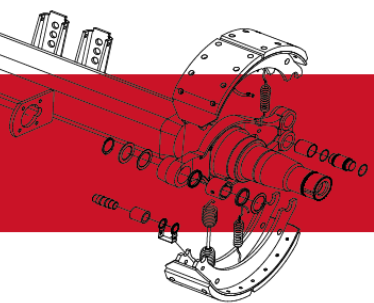
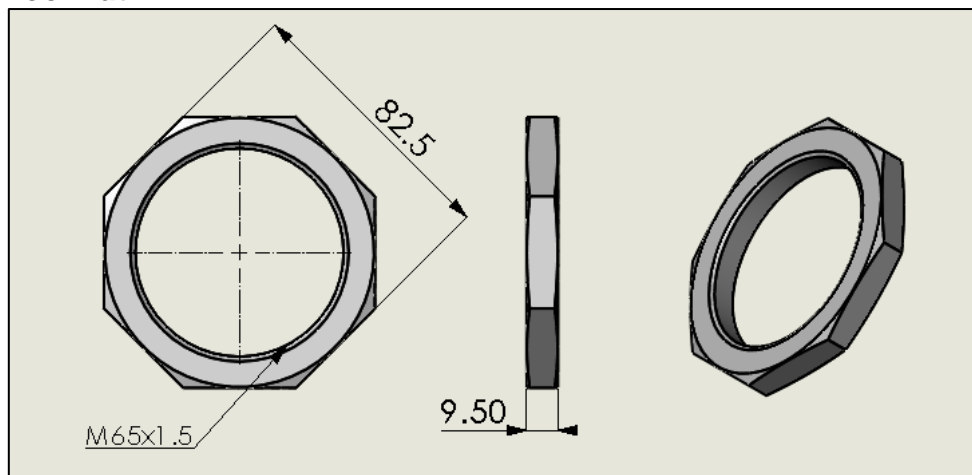
**68109 – ABS Mounting Bracket**



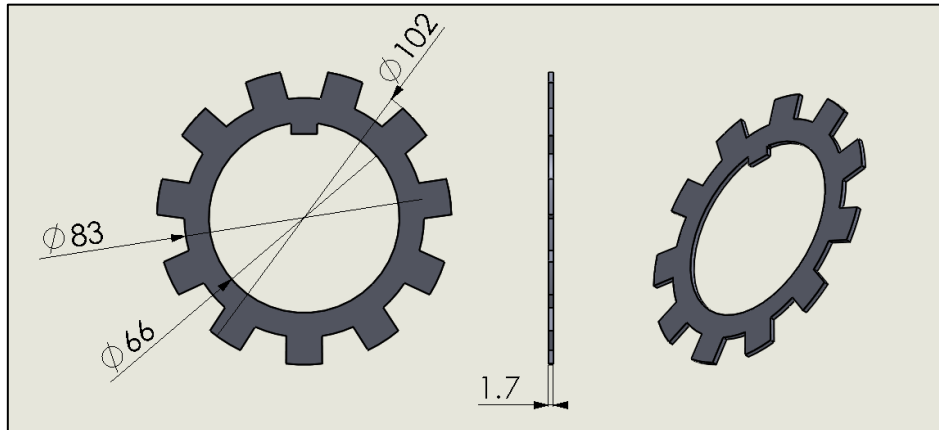
**61326 – “G” Hub Cap Pressing**



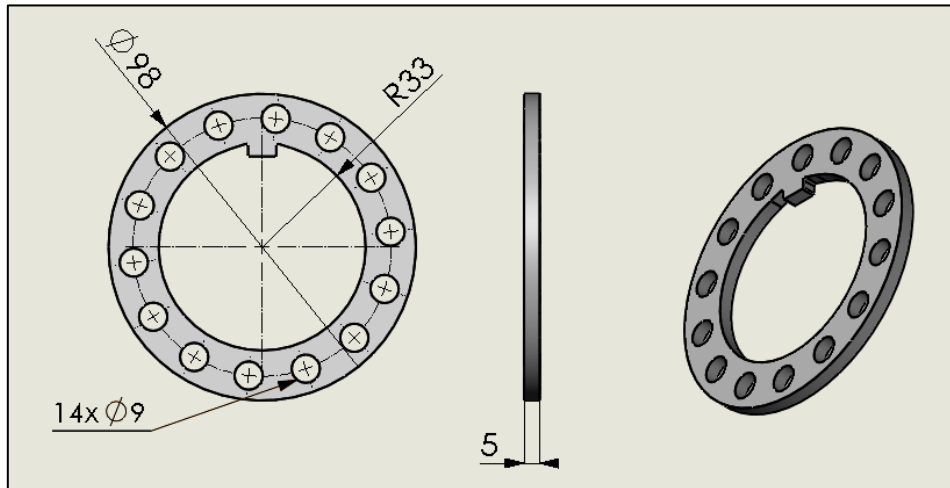
**61310- Locknut**



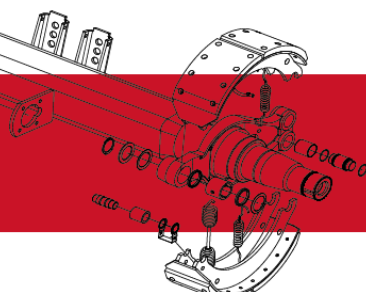
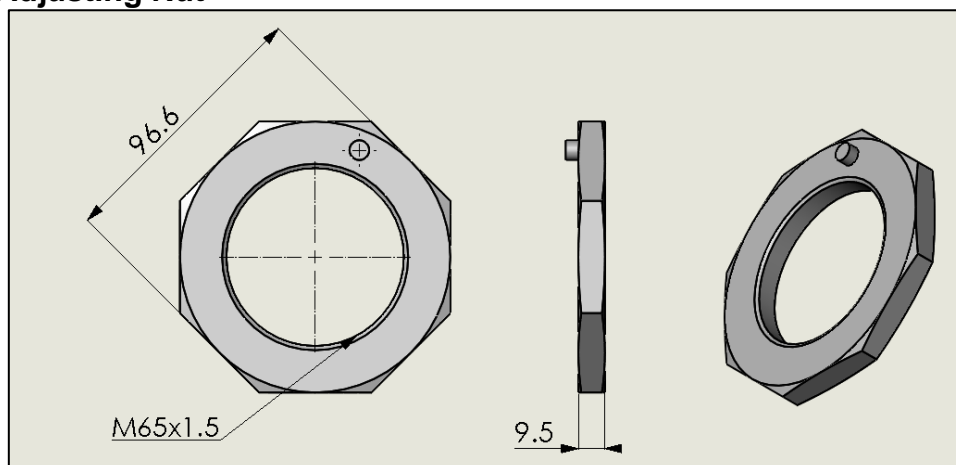
**61311 – Tab Washer**



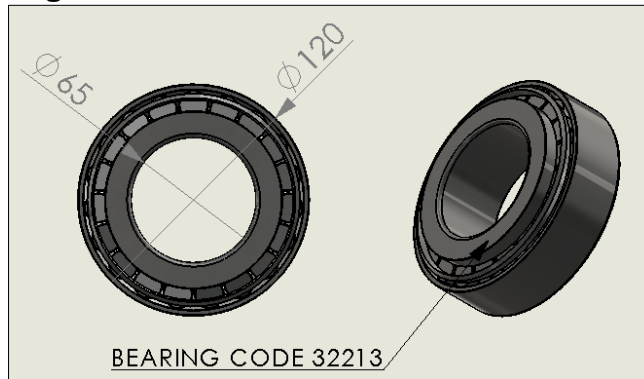
**61300- Lock Washer**



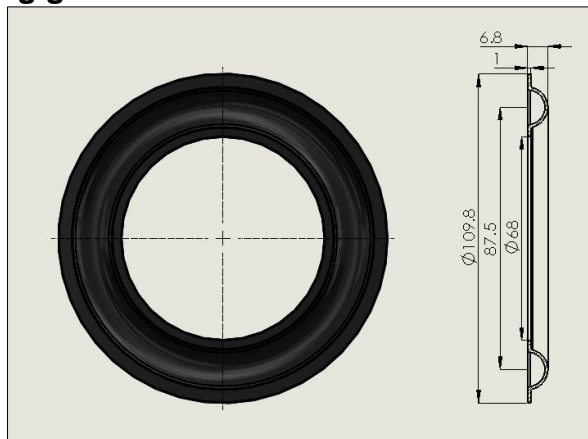
**61290- Adjusting Nut**



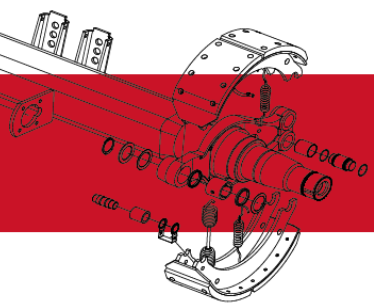
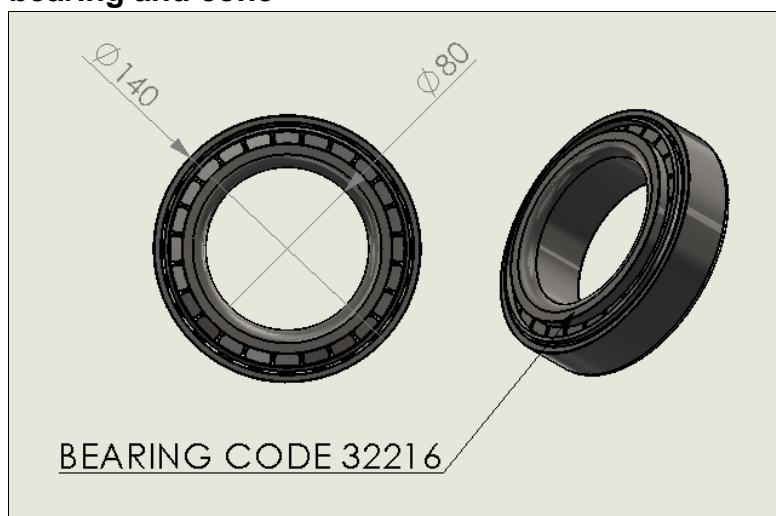
**61276 – Outer bearing and cone**



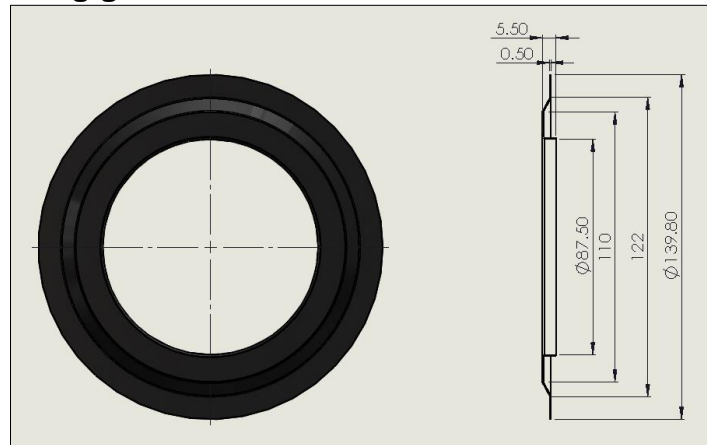
**68162 – Outer bearing grease retainer**



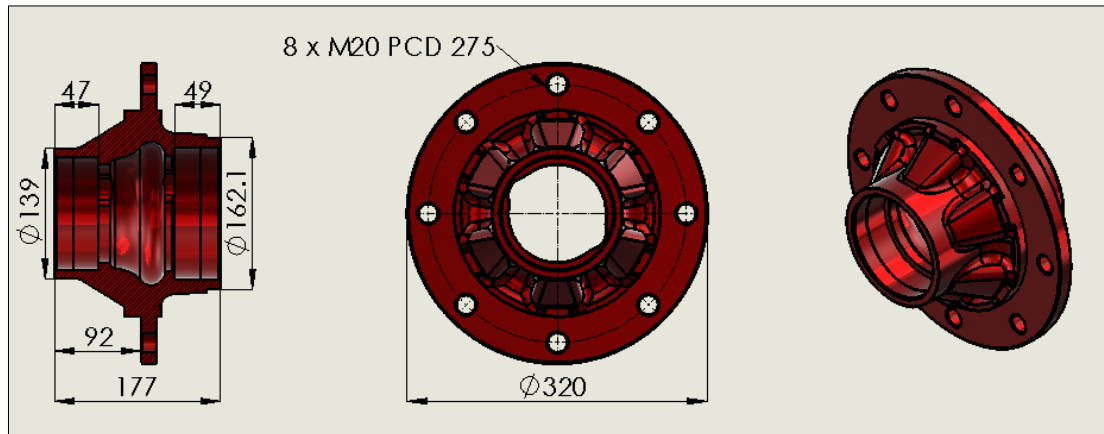
**61275 – Inner bearing and cone**



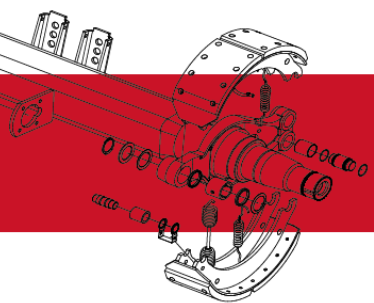
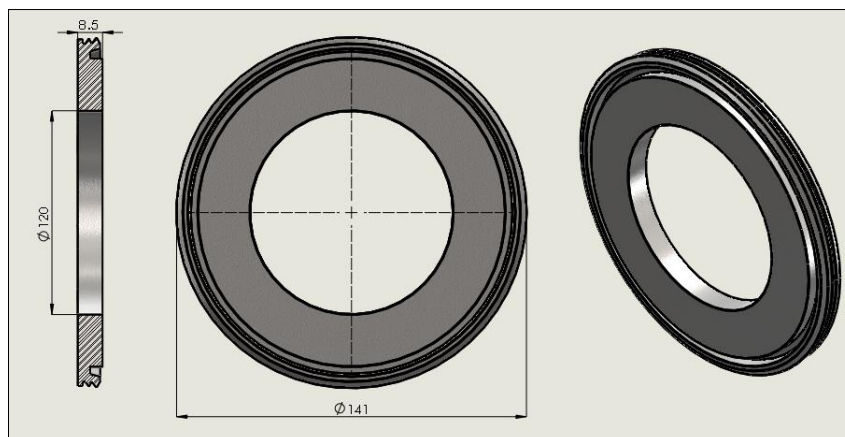
## 68163 – Inner bearing grease retainer



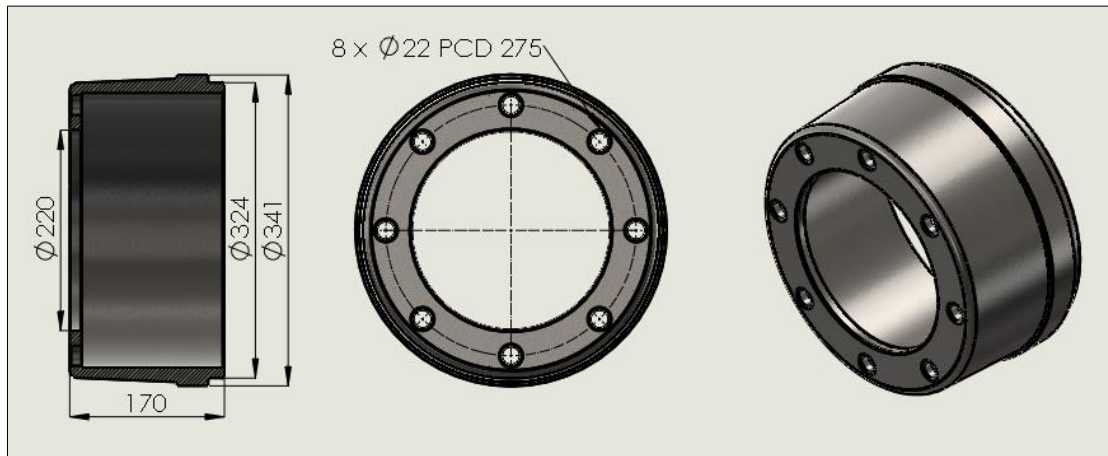
## 68120 – Hub



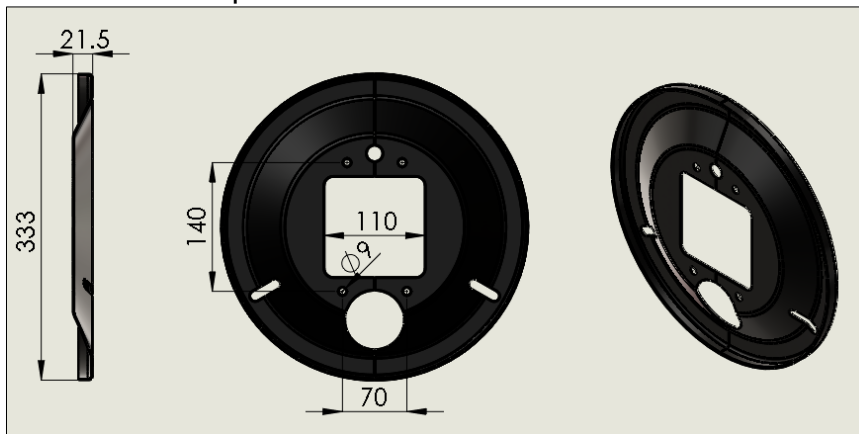
## 68160B – Unitized Grease Seal



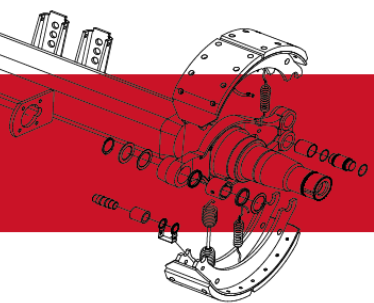
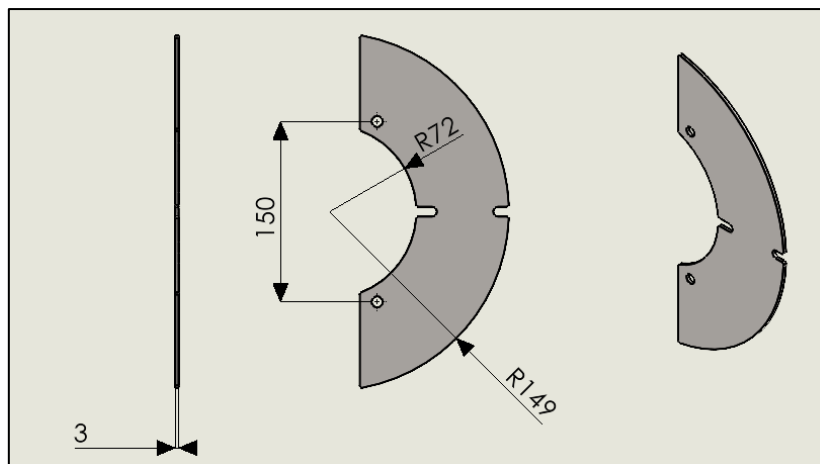
**68130 – Brake Drum**



**61374 –Dust Cover With Lip**



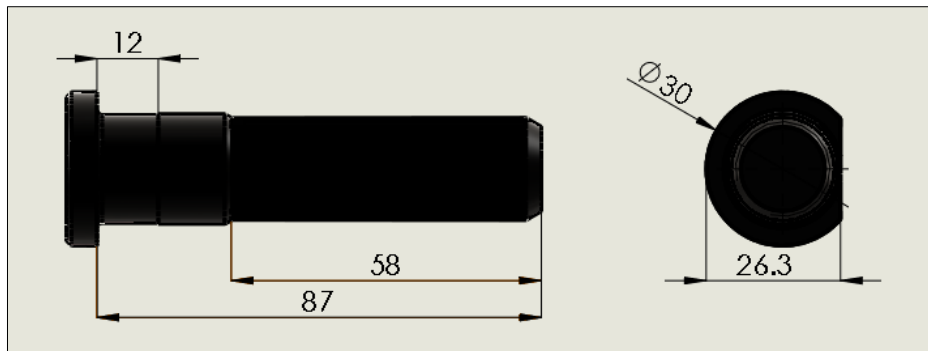
**68156 – Two-Piece Flat Dust Cover**



**68154 – M20 Wheel Nut DIN**

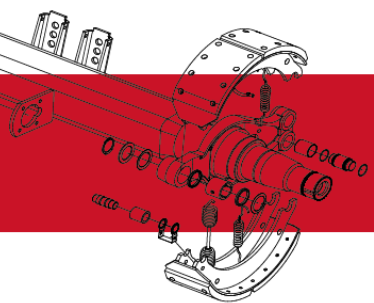
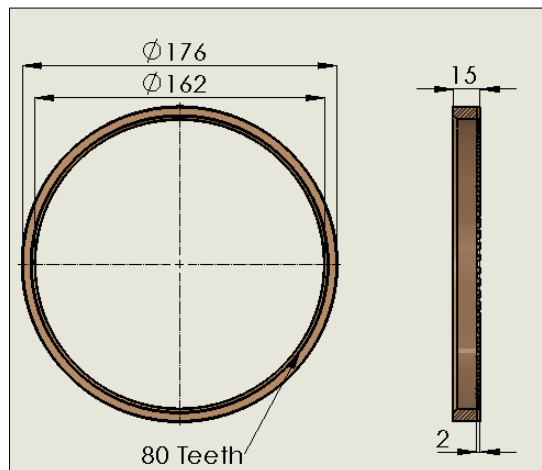


**68150 – M20 Wheel Bolt Twin**

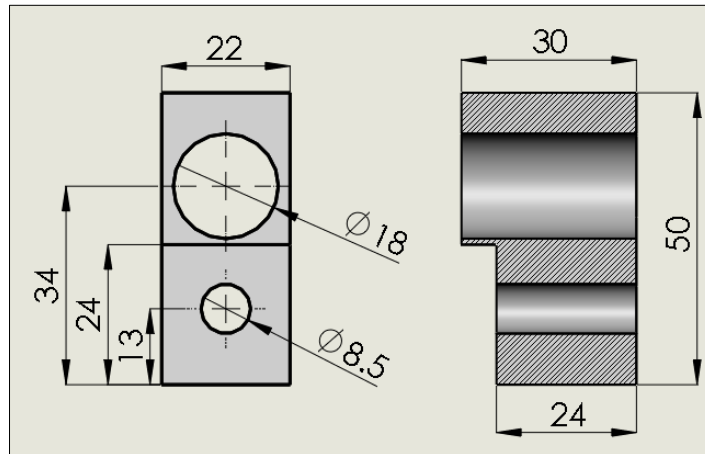


**97567 - M20 Single Wheel Bolt L=75mm**

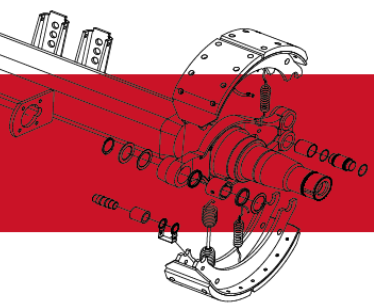
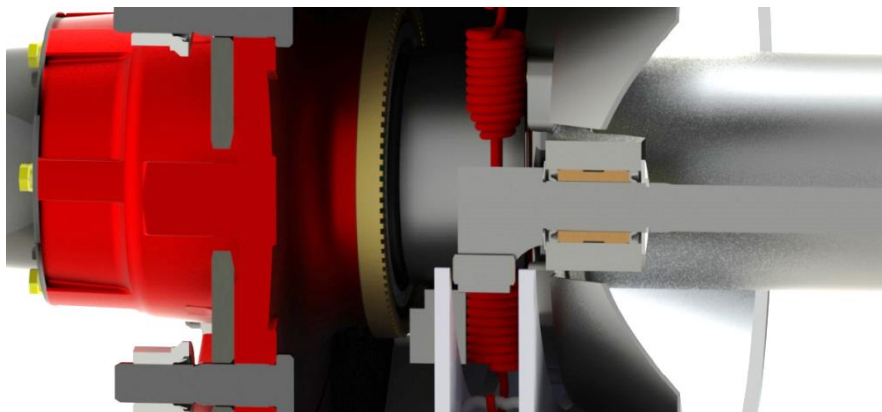
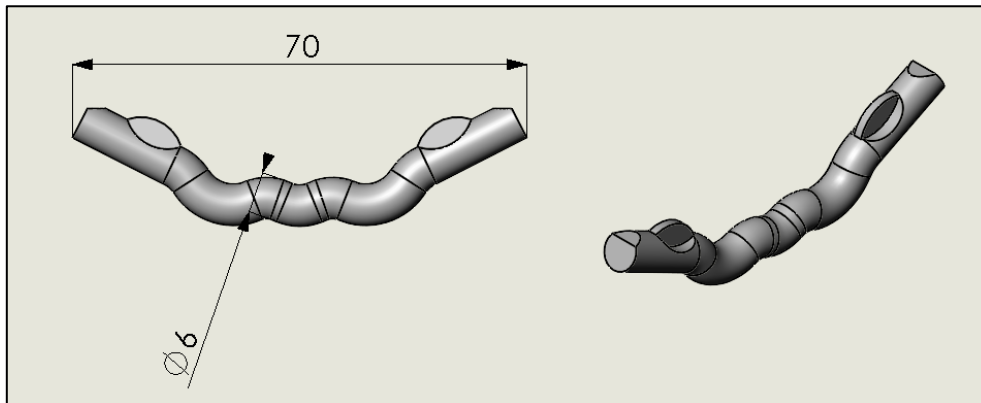
**61787 – 80 Tooth Pole Wheel**



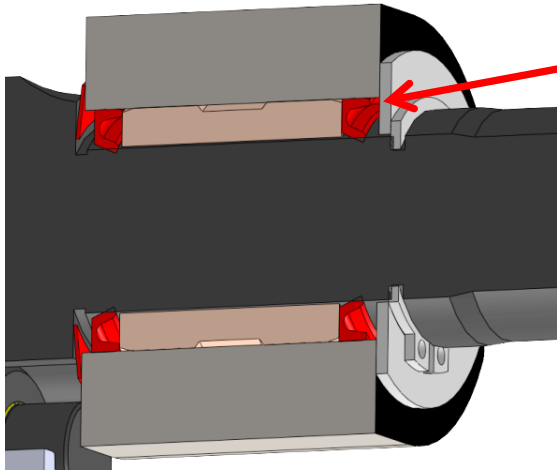
**68108 – ABS Sensor Block**



**61150 – Spring Anchor Bar**







The direction of the grease seals in the anchor bracket is important as well as the position of the beveled washer between the anchor bracket and camshaft head.

We reserve the right to make changes to specifications or to make improvements to the products in this catalogue without prior notice. We are not responsible for inaccuracies or omissions.

