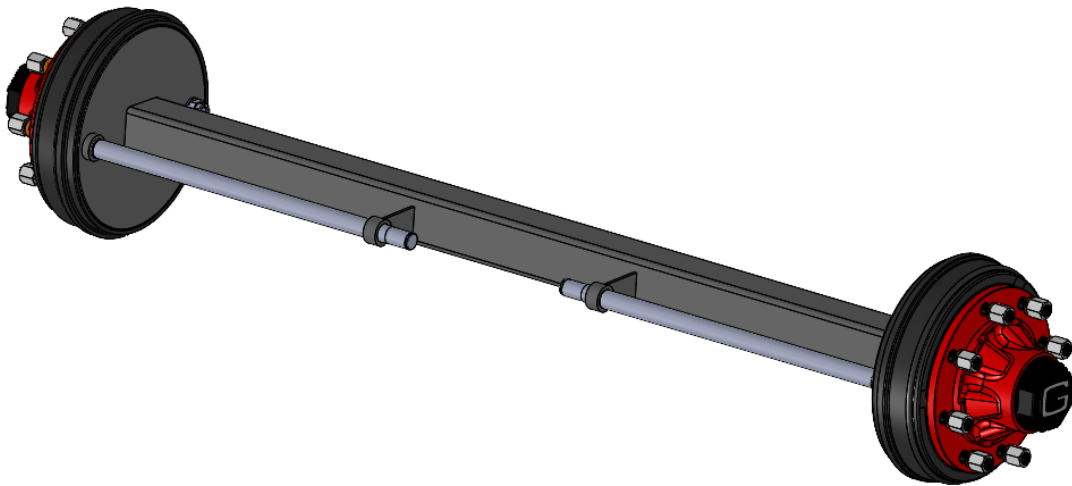


Axle Bill Of Materials

97200 Series 350x60

80200 Rev B December 2023

350x60 – 97200 AXLE



97200 series axle is TUV tested, please see website for test reports.

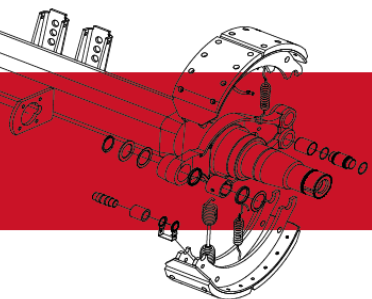
275mm PCD 8 stud M20 hub and drum. 220mm hub pilot.

Available in single wheel stud.

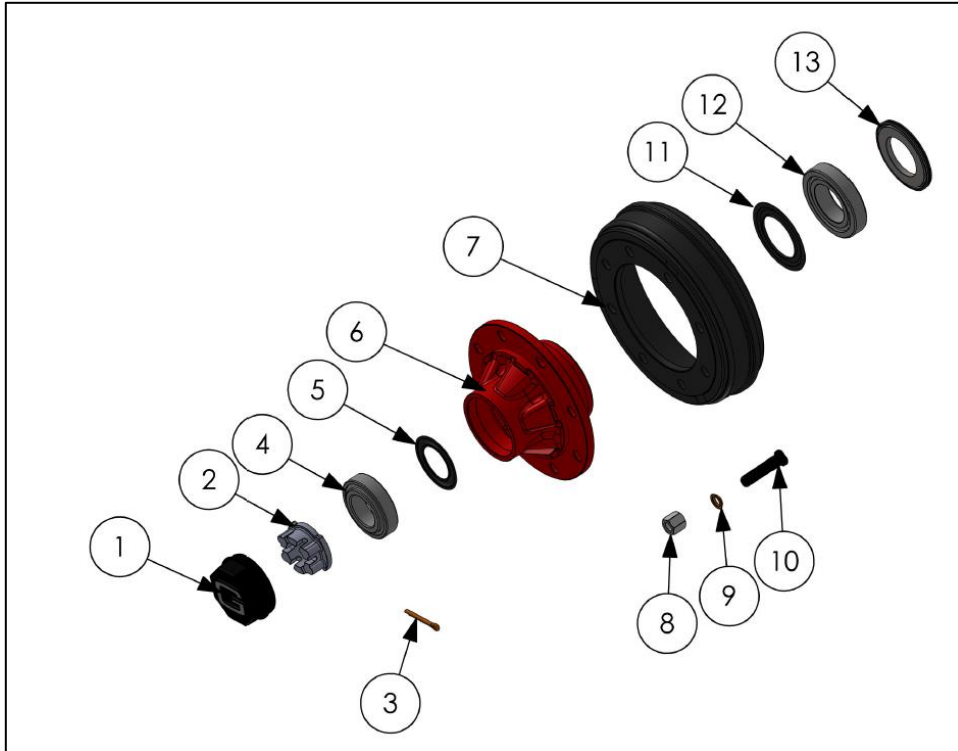
38 spline camshaft

Service manual available on website

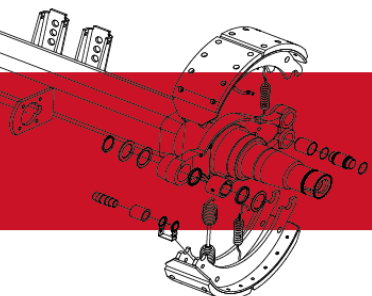
Please see following pages for part identification



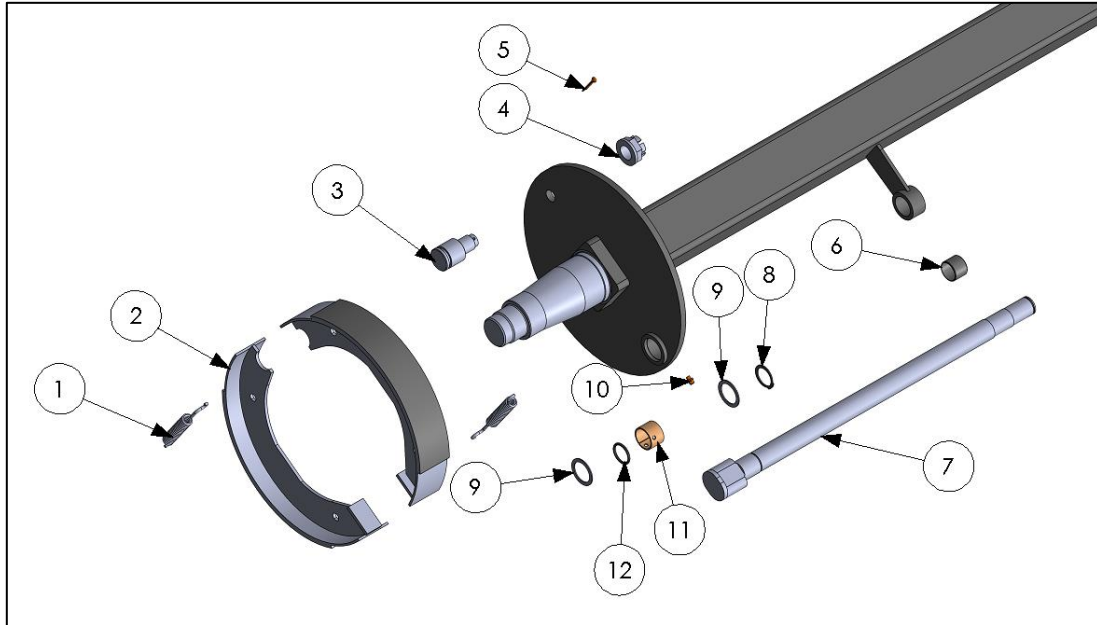
350x60 Hub And Drum Assembly



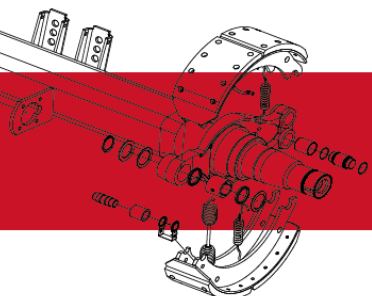
Item	Description	Part No.	QTY per Axle
1	Hub Cap	61326	2
2	Spindle Nut	97530	2
3	Spindle Nut Cotter Pin	97533	2
4	Outer Bearing	61276	2
5	Grease Retainer Outer	68162	2
6	Hub	68120	2
7	Drum	97538	2
8	DIN M20 Nut	68154	16
9	DIN M20 DIN Outer Washer	68153	16
10	M20 Single Wheel Bolt	68150	16
11	Grease Retainer Inner	68163	2
12	Inner Bearing	61275	2
13	Hub Seal	68160B	2



350x60 – 97200 Brake Assembly



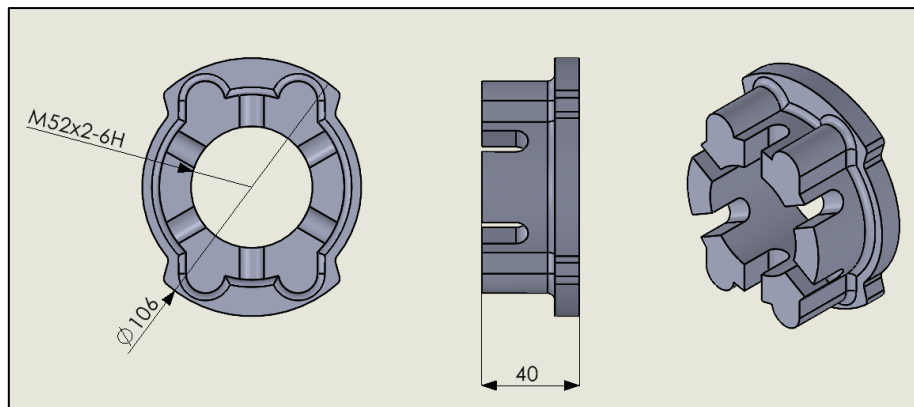
Item	Description	Part No.	QTY per Axle
1	Brake Shoe Retaining Spring	97507	4
2	Brake Shoe	97537	4
3	Anchor Pin Ø37 M24	96594	2
4	Anchor Pin Castle Nut	97572	2
5	Anchor Pin Cotter Pin	97546	2
6	Camshaft Support Bracket Bush	97566	2
7	Camshaft		
	Camshaft length 648mm	97543	2
	Camshaft length 598mm	97549	2
8	Circlip	97503	2
9	Camshaft Washer	97502	4
10	Grease Nipple M6	96309	2
11	Camshaft Bush	97595	2
12	Camshaft O Ring	97536	2



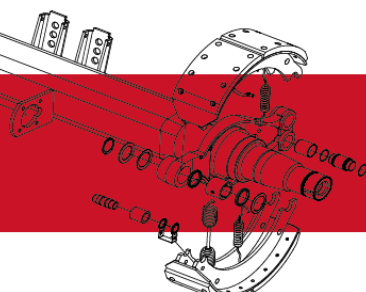
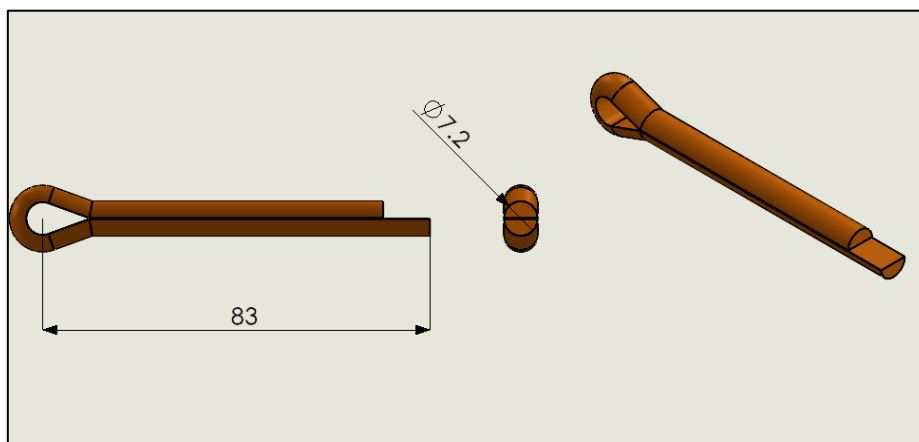
61326 – Hub Cap



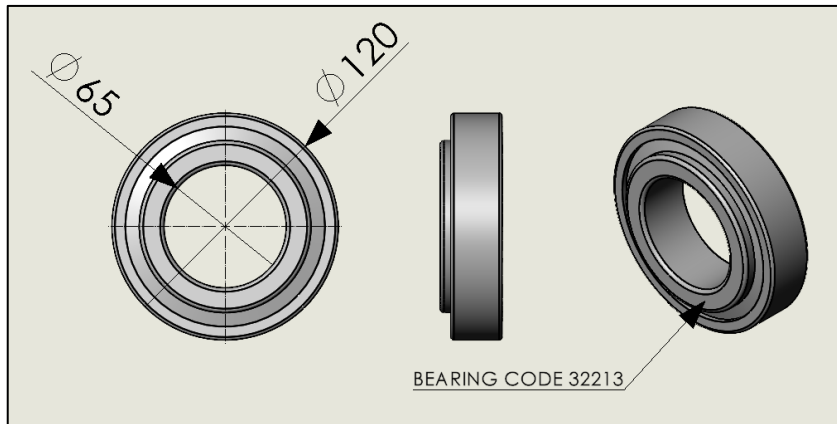
97530 – Spindle Nut



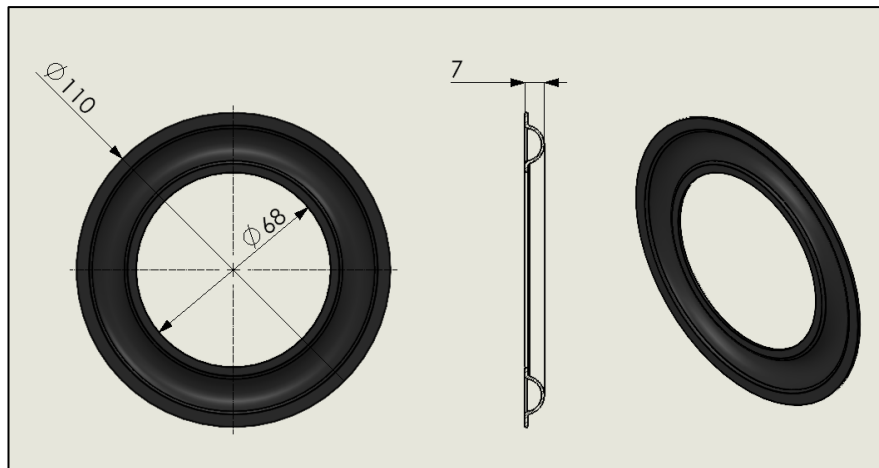
97533 – Spindle Nut Cotter Pin



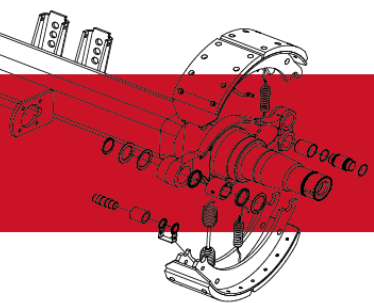
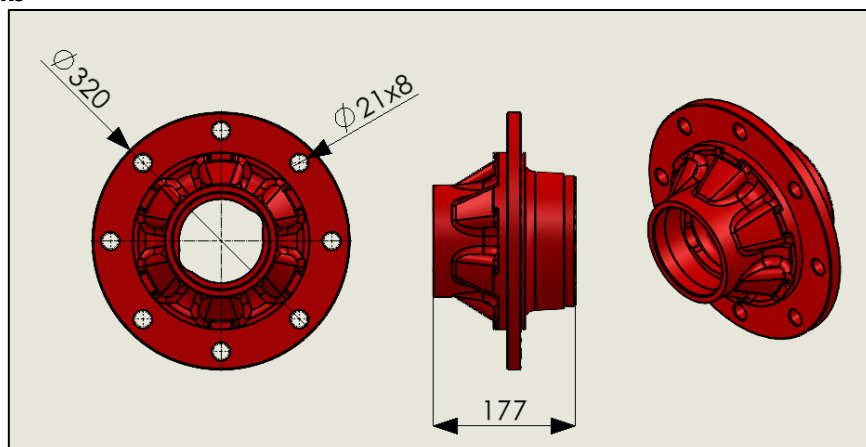
61276 – Outer Bearing



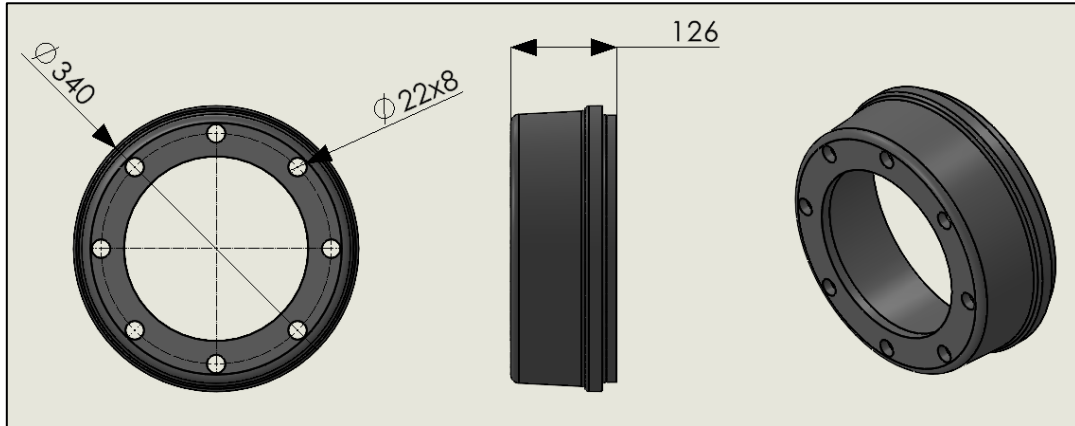
68162 – Grease Retainer Outer



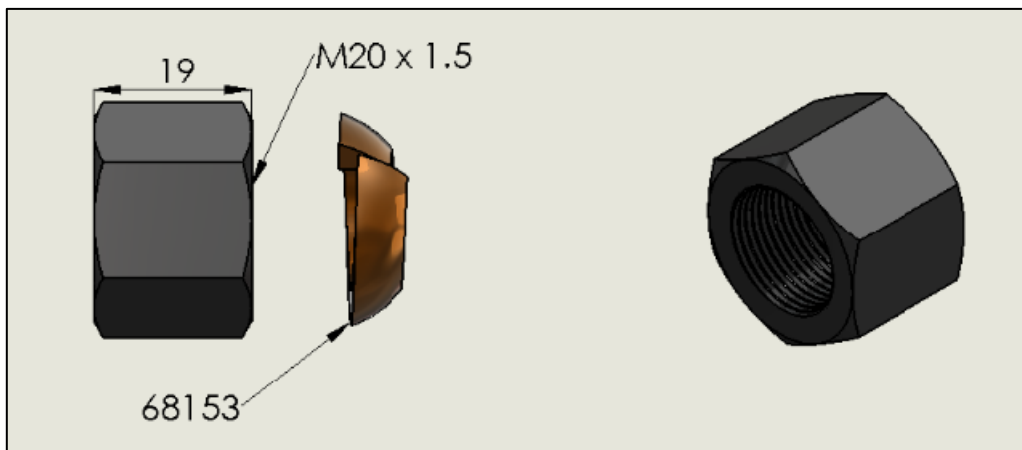
68120 – Hub



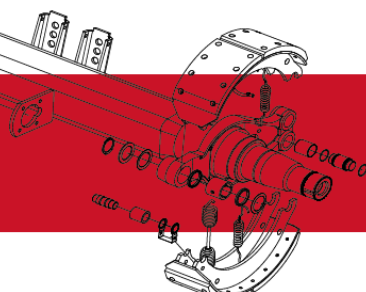
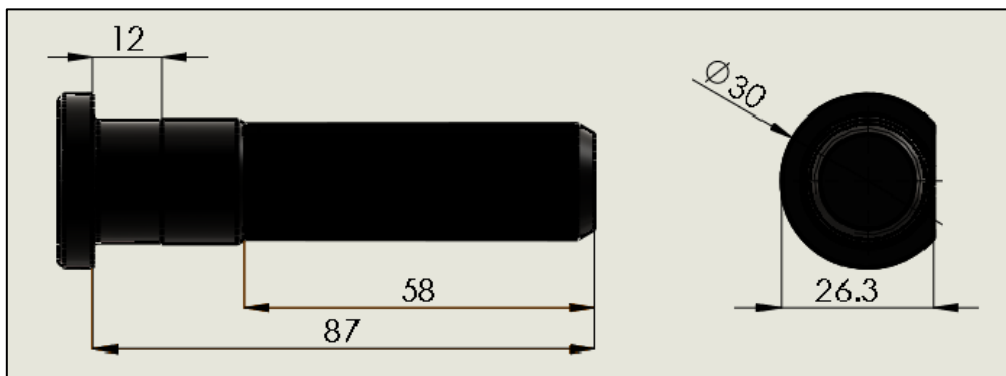
97538– Drum



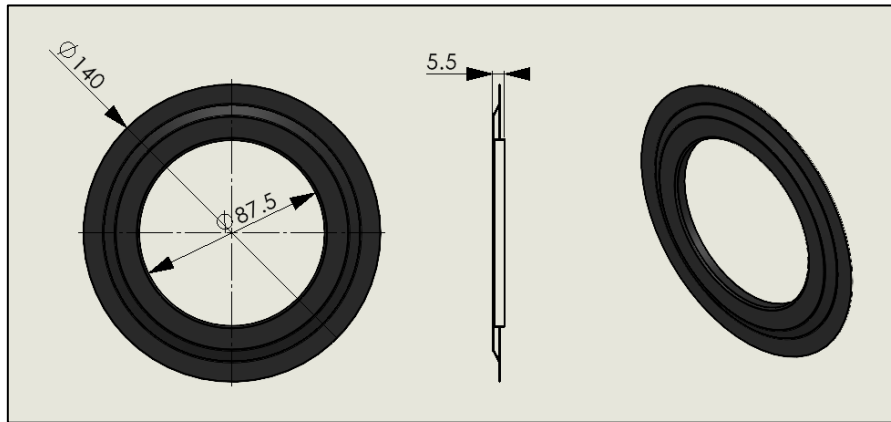
68154 – DIN M20 Nut 68153- DIN M20 Outer Washer



68150 – M20 Single Wheel Bolt



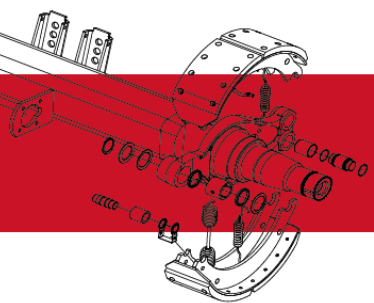
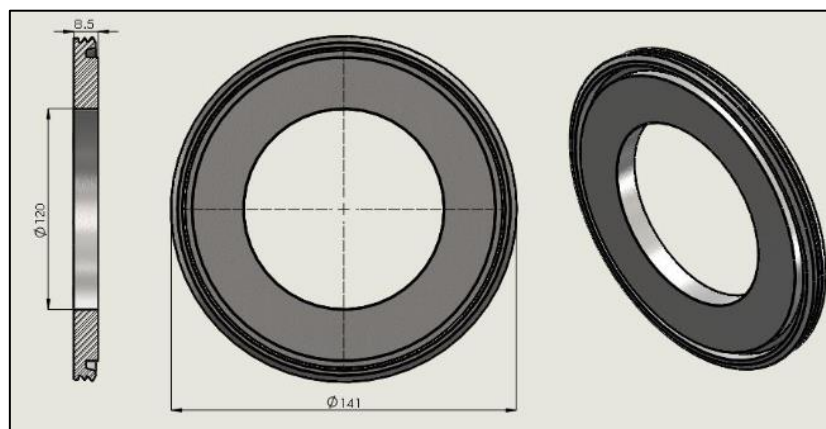
68163 – Grease Retainer Inner



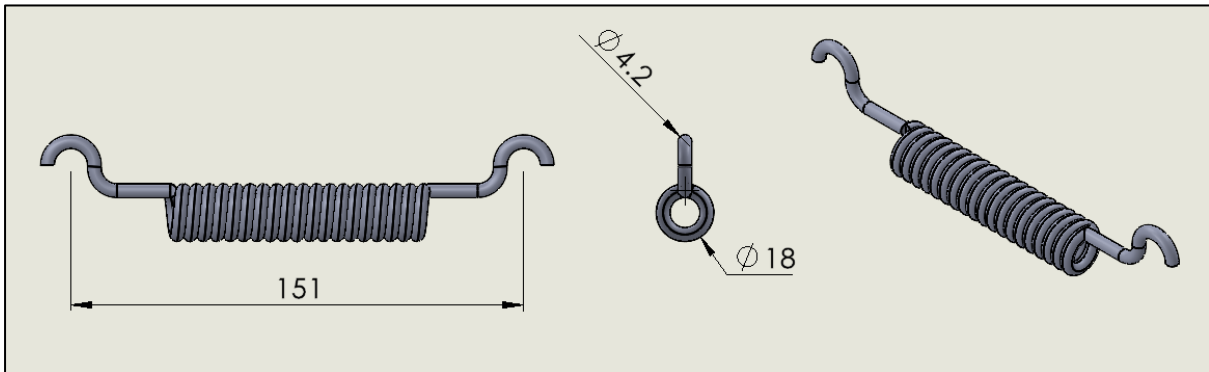
61275 – Inner Bearing



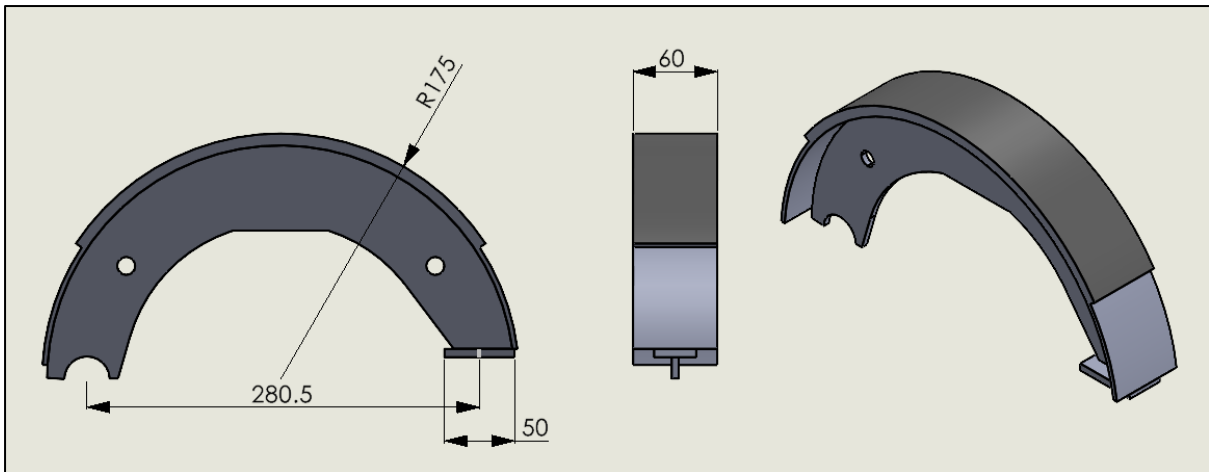
68160B – Grease Seal



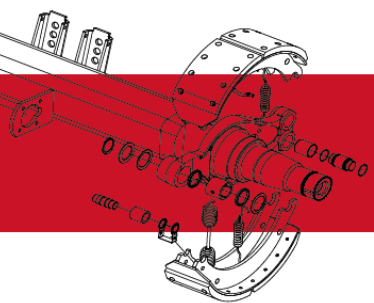
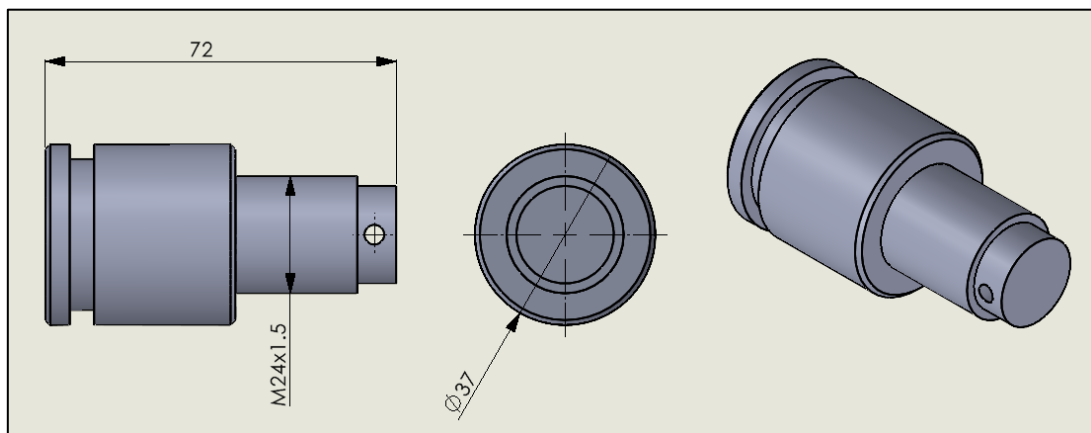
97507 – Brake Shoe Retaining Spring



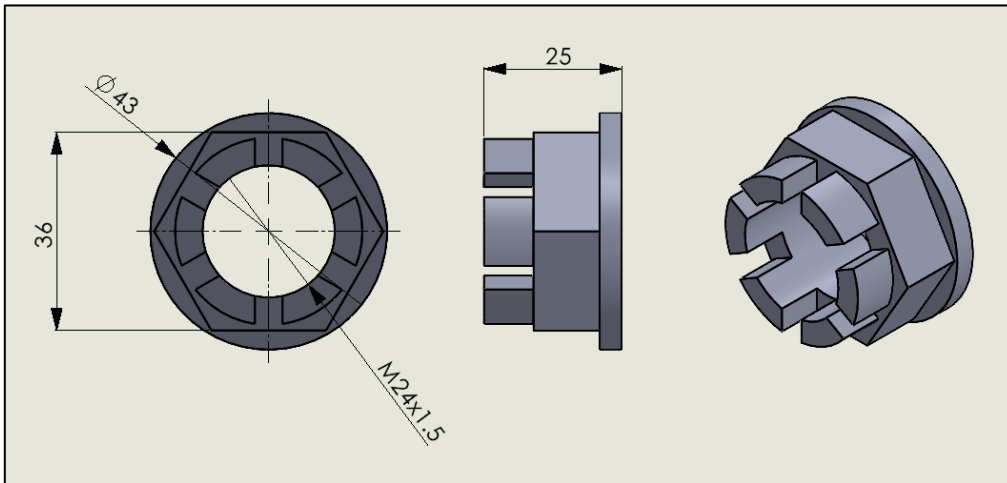
97537 – Brake Shoe



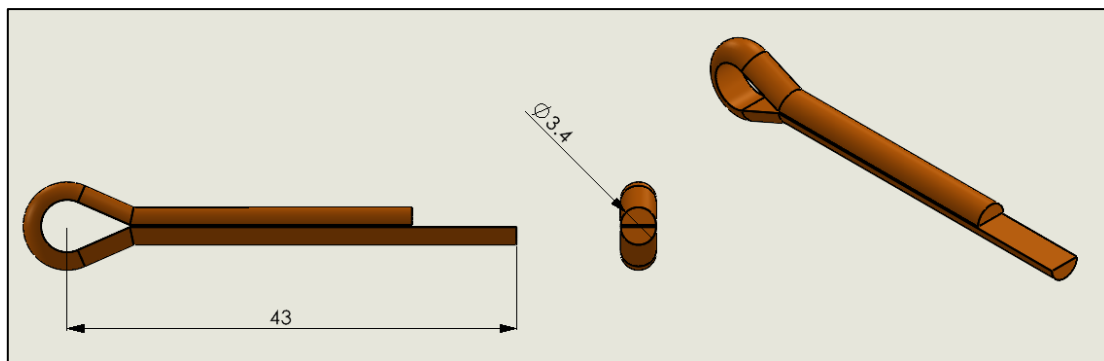
96594 – Anchor Pin $\phi 37$ M24



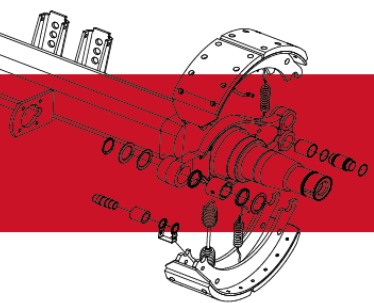
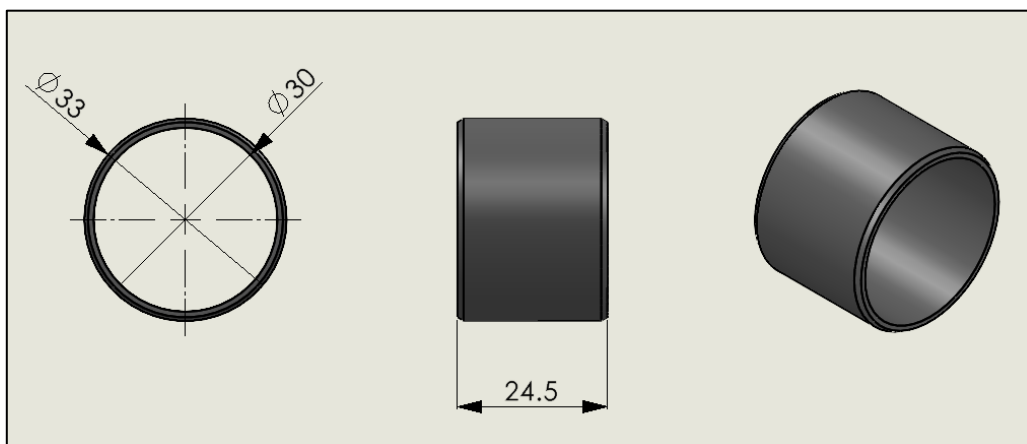
97572 – Anchor Pin Castle Nut



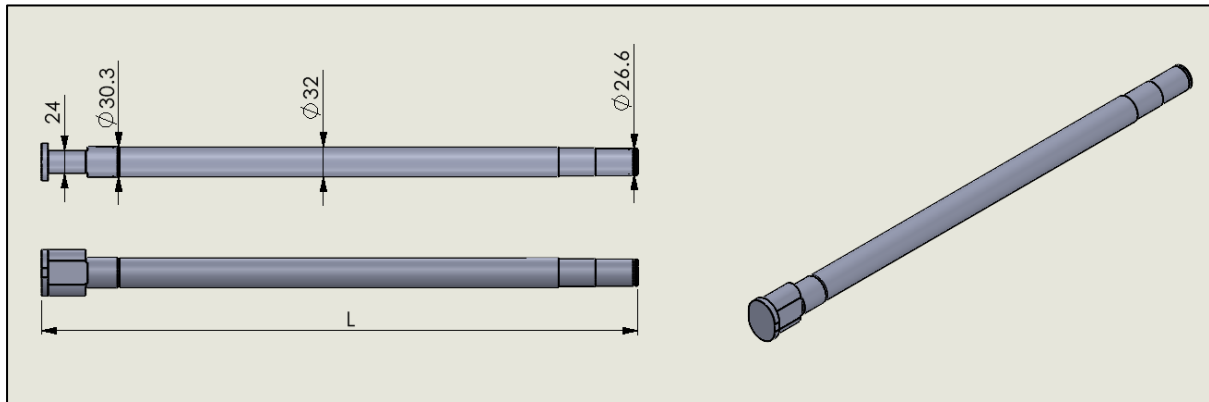
97546 – Anchor Pin Cotter Pin



97566 – Camshaft Support Bracket Bush



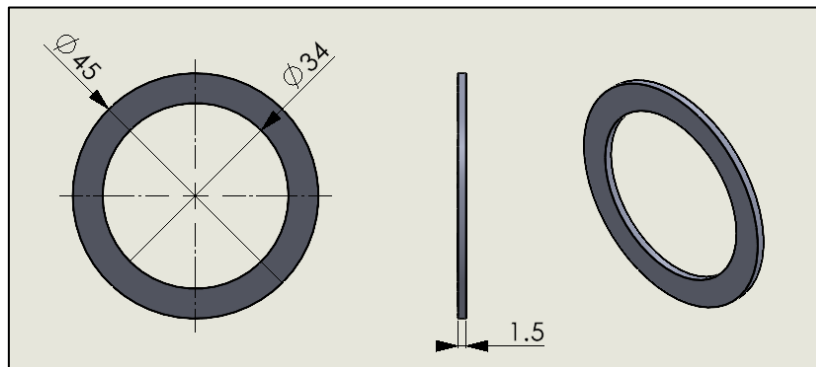
Camshaft



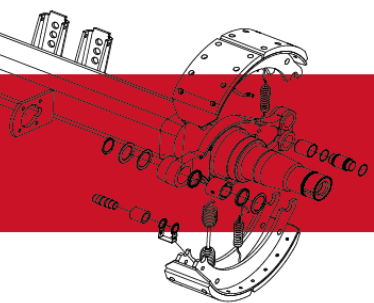
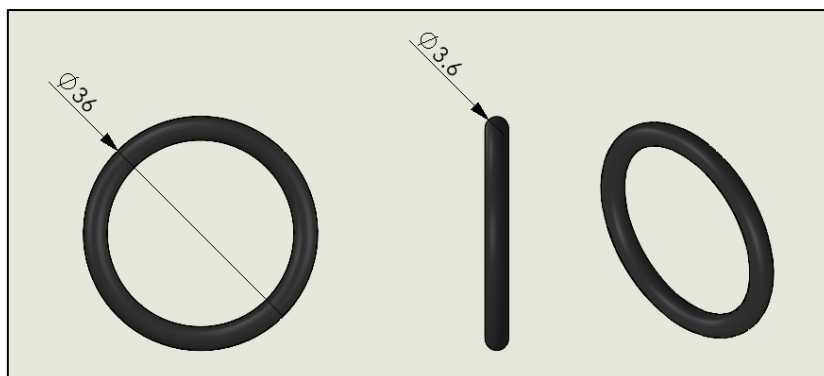
97543 – L= 648mm

97549 – L= 598mm

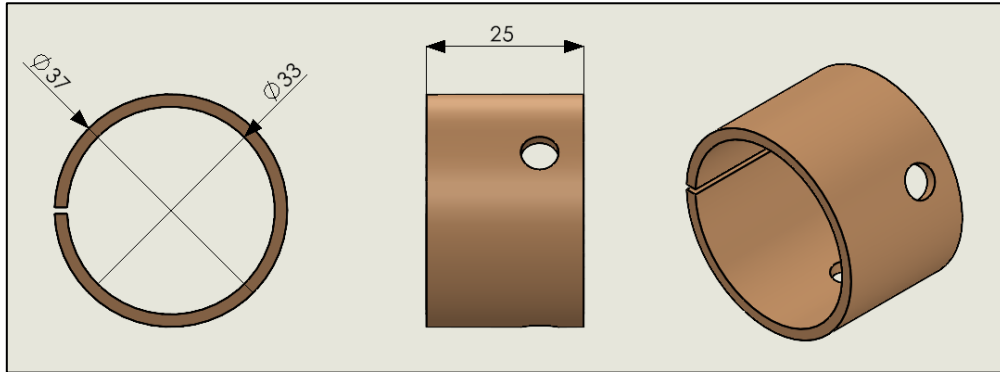
97502 – Camshaft Washer



97536 – Camshaft O Ring



97595 – Camshaft Bush



Slack Adjusters



2095 Manual Slack 38 Spline



2094 Manual Lever 38 Spline

