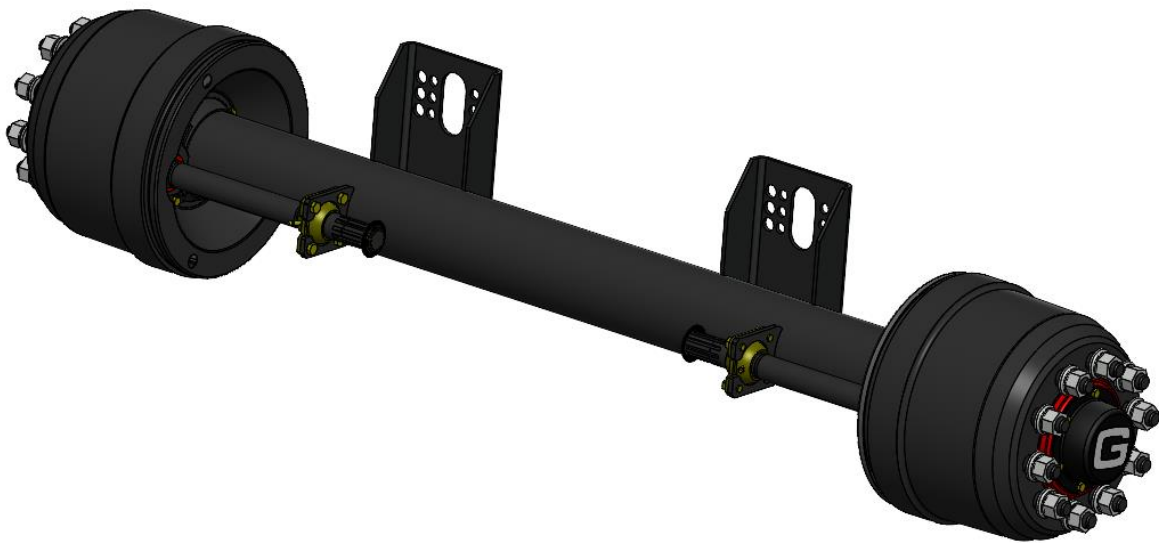


Axle Bill Of Materials

400 Series Drum Brake

80297 Rev A September 2023

310x190 – 400 SERIES OFFSET AXLE



400 series axle is TUV tested to 11000Kg, please see website for test report.

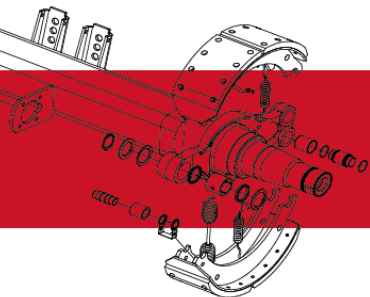
225mm PCD 10 stud M22 hub and drum. 176mm hub pilot.

Single wheel stud.

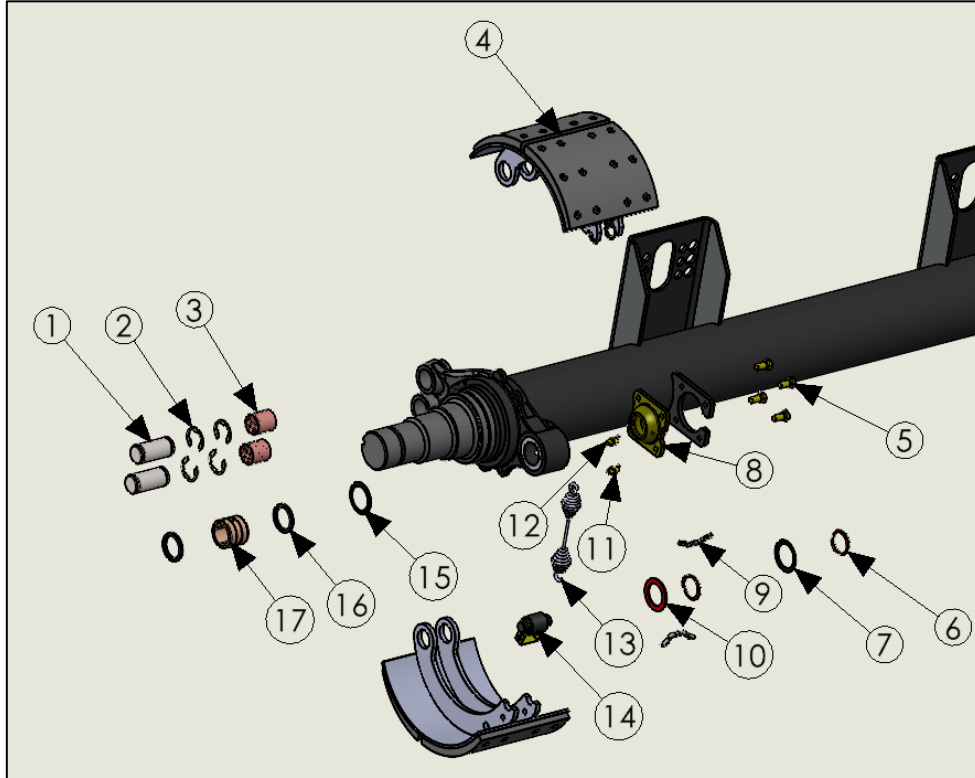
10 spline camshaft

Service manual available on website

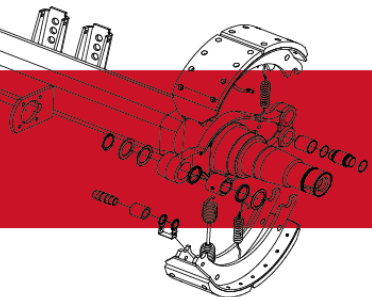
Please see following pages for part identification



310x190 – 400 Series Offset Assembly

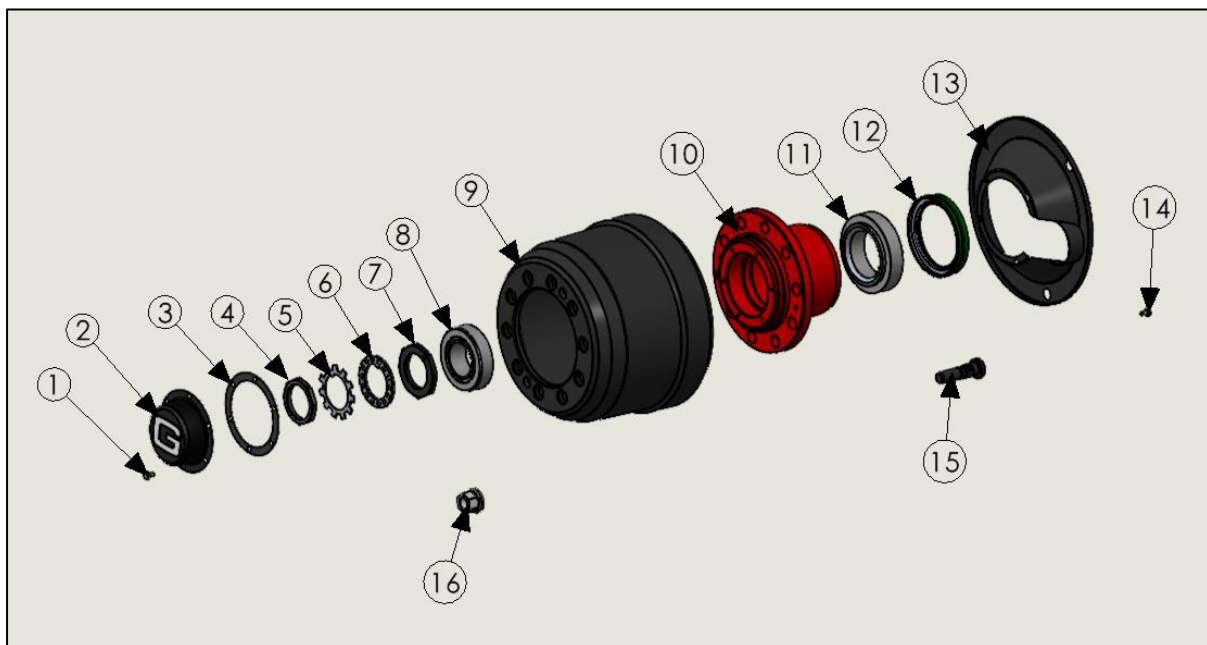


Item	Description	Part No.	QTY per Axle
1	Anchor Pin	61170	4
2	"E" Clips	61460	8
3	Bush Anchor Pin Bronze	61200B	4
4	Brake Shoe Assembly (FWE11)		
	Standard fit brake shoe	61540	(4)
	FWE11 linings	61778	(4)
5	M10 x 20 Screw	61359	8
6	Camshaft circlip	61120	4
7	Camshaft support washer	96365F	2
8	Spherical bearing	61080	2
9	Spring anchor bar	61150	4
10	Camshaft support washer	61058	2
11	1/8" NPT Greaser	61110	2
12	1/8" NPT Plug	61111	2

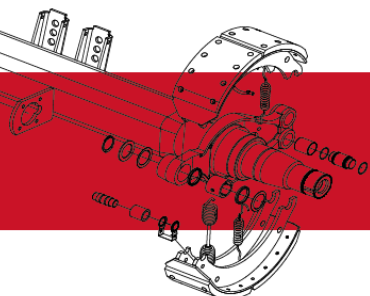


13	RW Return Spring	61660	2
14	Cam Roller assembly		
	Cam Roller Sleeve	61210	4
	Cam Roller Retainer	61220	4
	Cam Roller Spindle	61230	4
15	Beveled Camshaft Washer	61057	2
16	Camshaft Grease Seal	61056	4
17	Camshaft Sintered Bush	61055	2

310x190 – 400 Series Offset Assembly

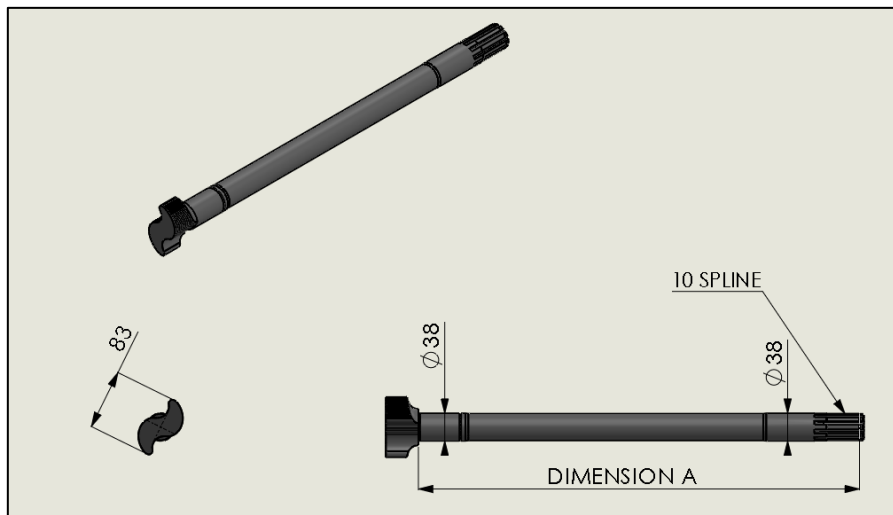


Item	Description	Part No.	QTY per AXLE
1	Screw M8 x 16 Fl. Head	61358	12
2	Hub Cap Pressing "G"	61322F	2
3	Gasket	61330F	2
4	Locknut	61310	2
5	Tab Washer	61311	2
6	Lock Washer	61300	2
7	Adjusting Nut	61290	2
8	Outer Bearing	61270F	2



9	10 Stud Brake Drum	61535	2
10	400 Series Hub	61730	2
11	Inner Bearing	61260F	2
12	Unitised Grease Seal	61282F	2
13	Dust Cover	61620	2
14	M8x16 Bolt	61358F	12
15	M22 Single Wheel Stud	61361	20
16	M22 ISO Wheel Nut	61381	20

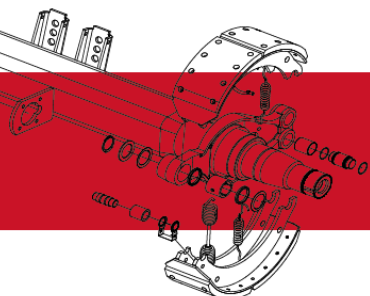
310 x 190 – 400 Series Offset Camshaft Parts List



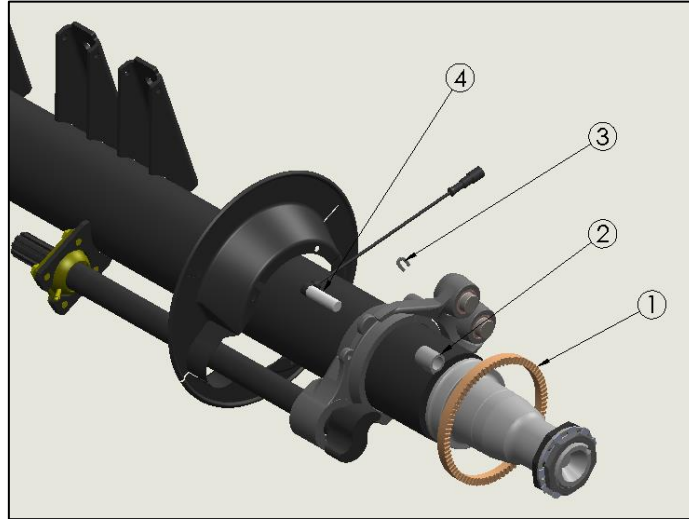
Item	Description (DIM A)	Part No.
1	Left Hand Small Head (175mm)	61154
2	Right Hand Small Head (175mm)	61153
3	Left Hand Small Head (212mm)	61591
4	Right Hand Small Head (212mm)	61601
5	Left Hand Small Head (519mm)	61595
6	Right Hand Small Head (519mm)	61605
7	Left Hand Small Head (610mm)	61596
8	Right Hand Small Head (610mm)	61606

Camshaft lengths are measured from under head to the centre of last circlip groove.

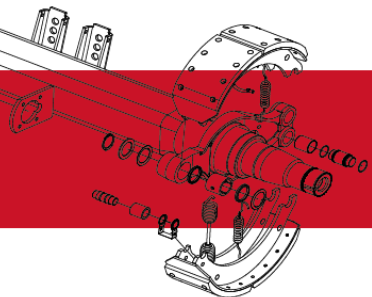
The illustrated camshaft is a right hand camshaft. When looking at the head of the camshaft a right hand cam is Z shaped and a left hand is S shaped



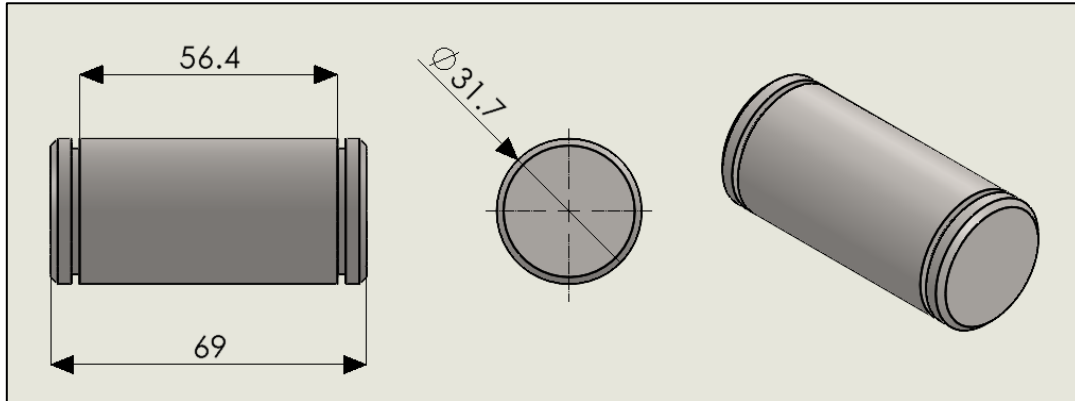
310 x 190 – 400 Series Offset ABS/Anti-Lock Assembly



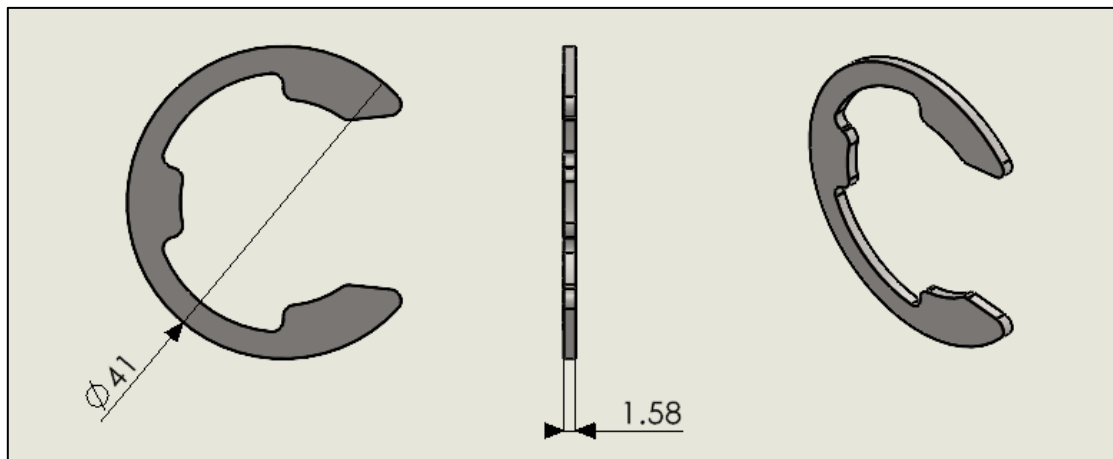
Item	Description	Part No.
1	Pole Wheel (80tooth)	61787
2	Sensor Block	61781
3	Dust Cover Grommet	61557
4	Straight Sensor Lead & Bush	61791



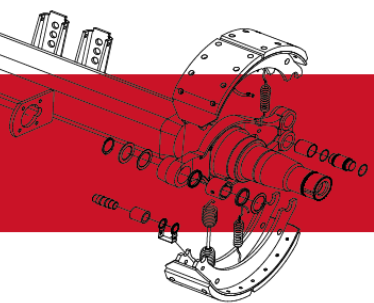
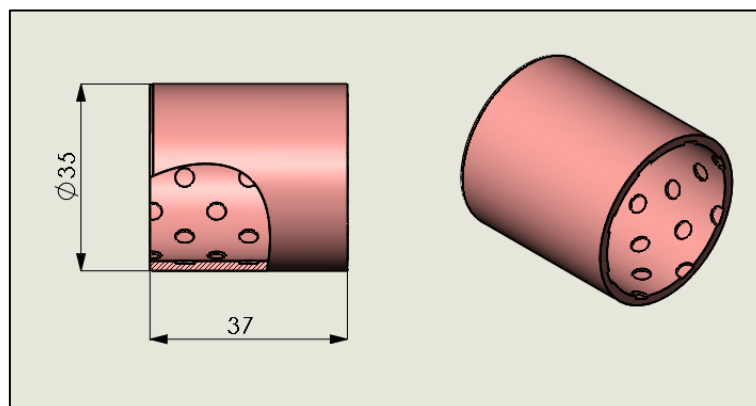
61170 – Anchor pin



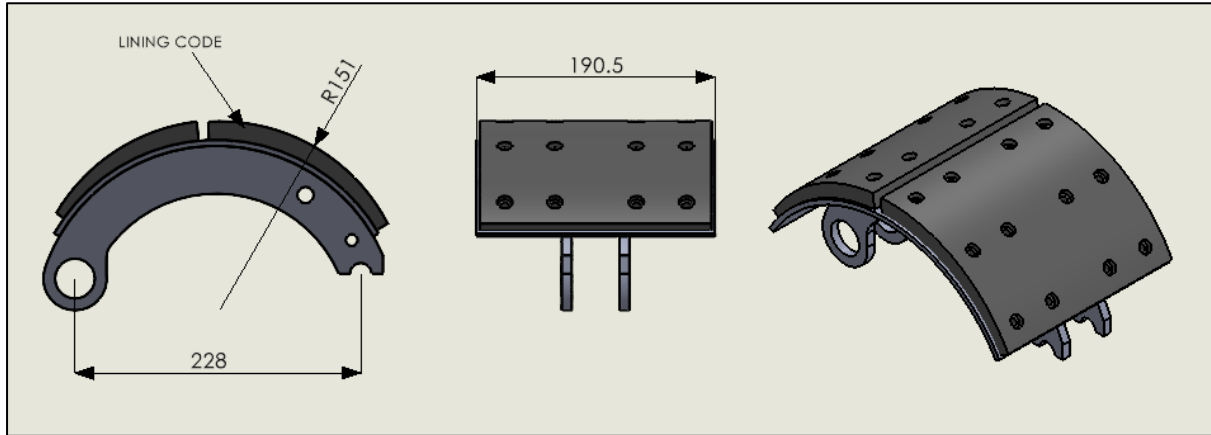
61460 – “E” Clips



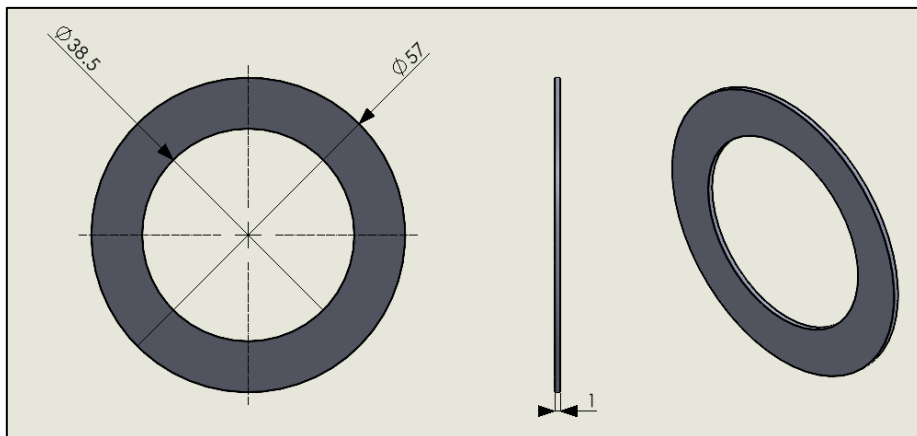
61200B – Bush Anchor Pin



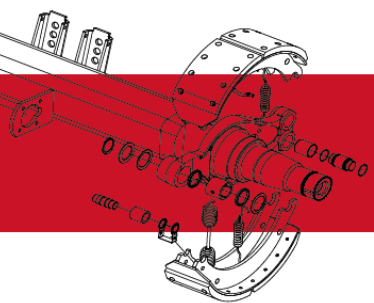
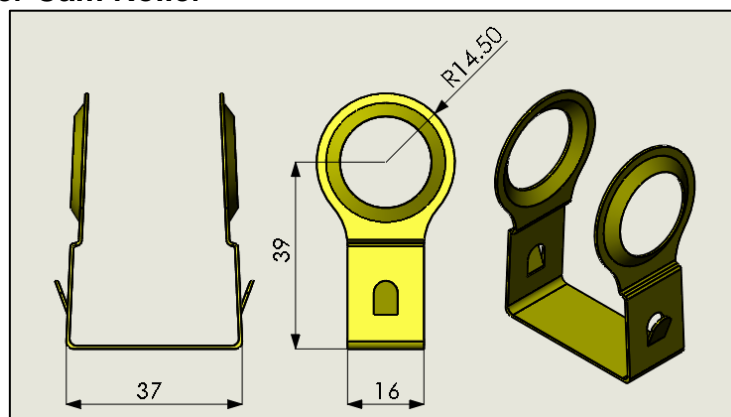
61540 +61778 – Brake Shoe FWE11 Lining



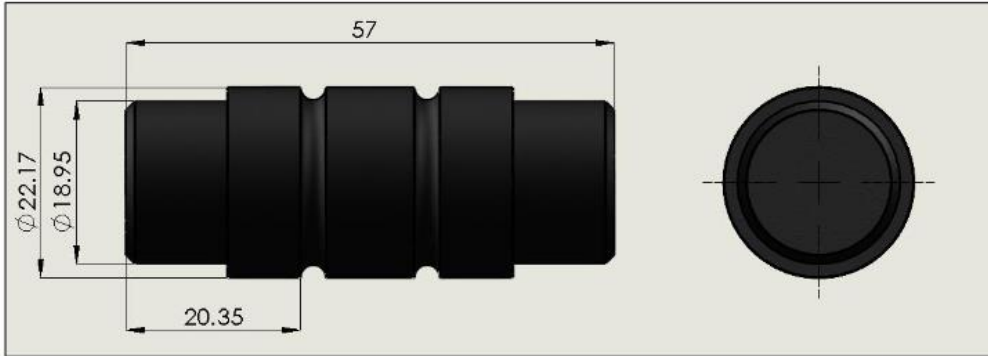
96365F – Camshaft Support Washer



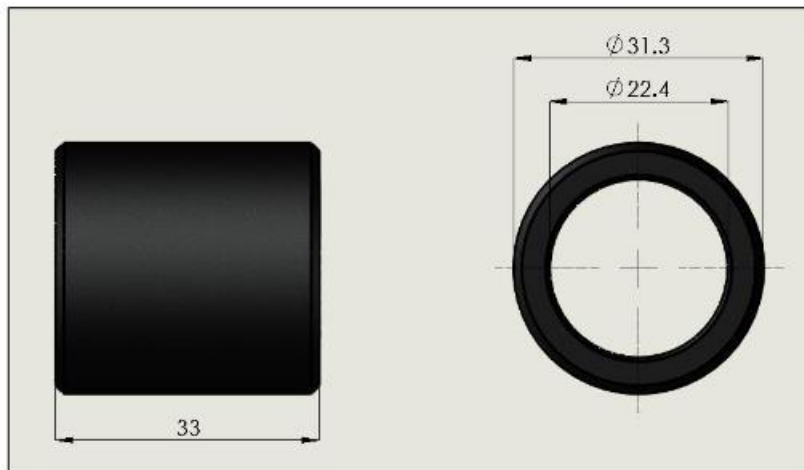
61220 – Retainer Cam Roller



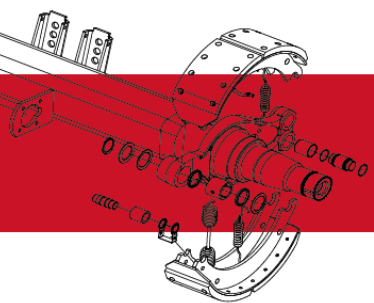
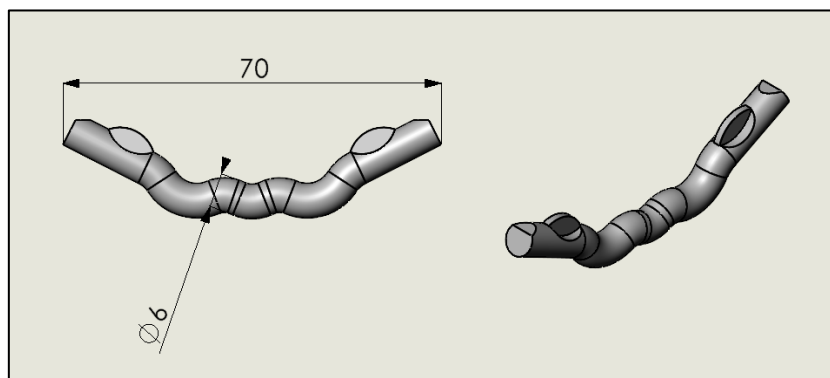
61230– Cam Roller Spindle



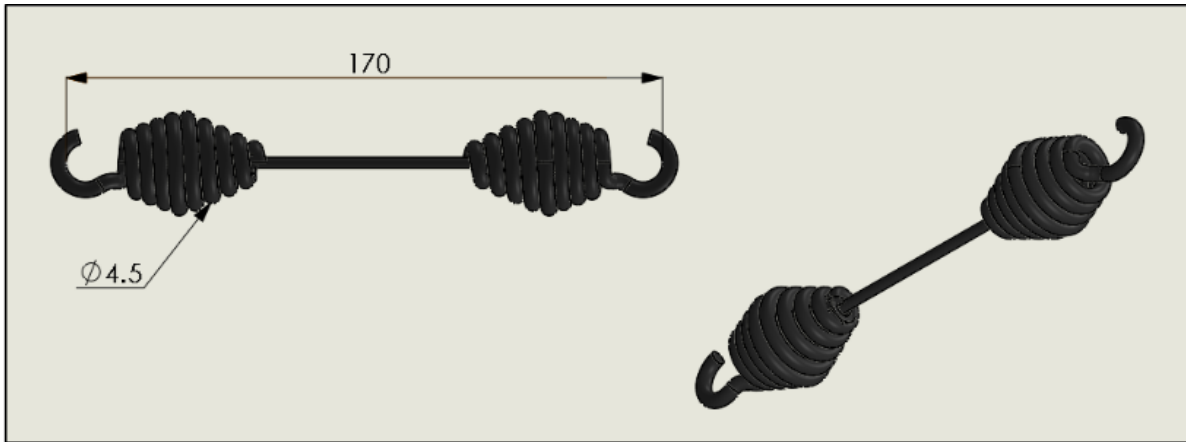
61210 – Cam Roller Sleeve



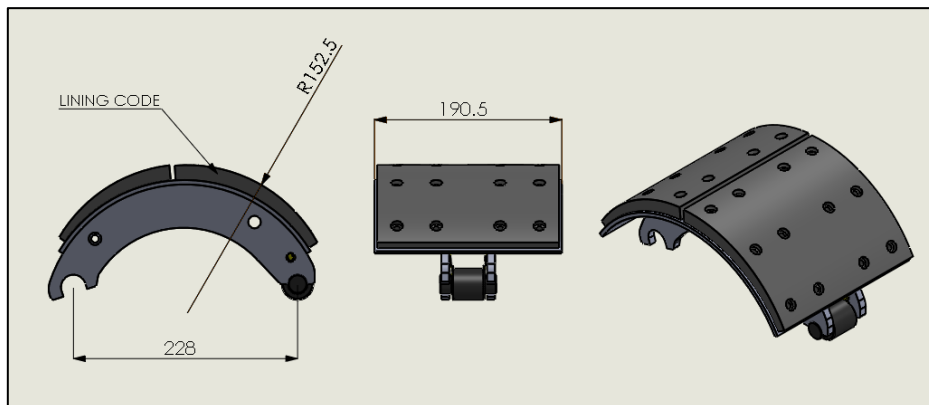
61150 – Spring Anchor Bar



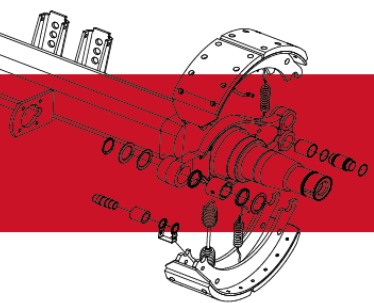
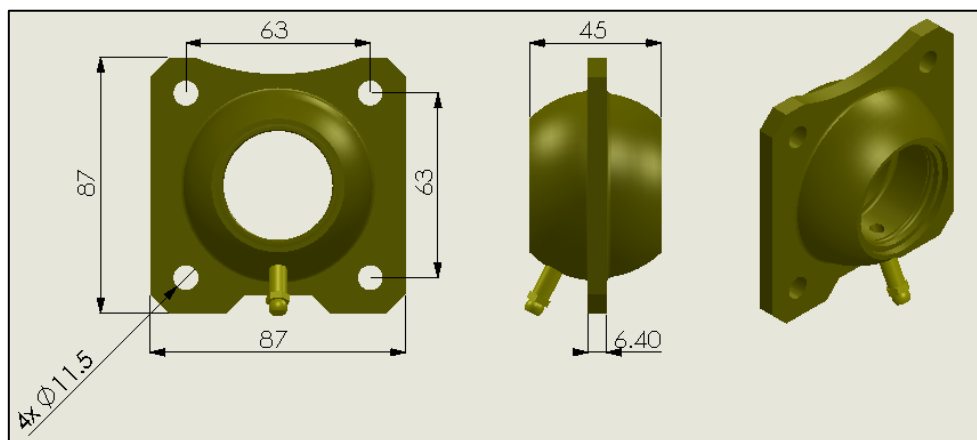
61660– RW Return Spring



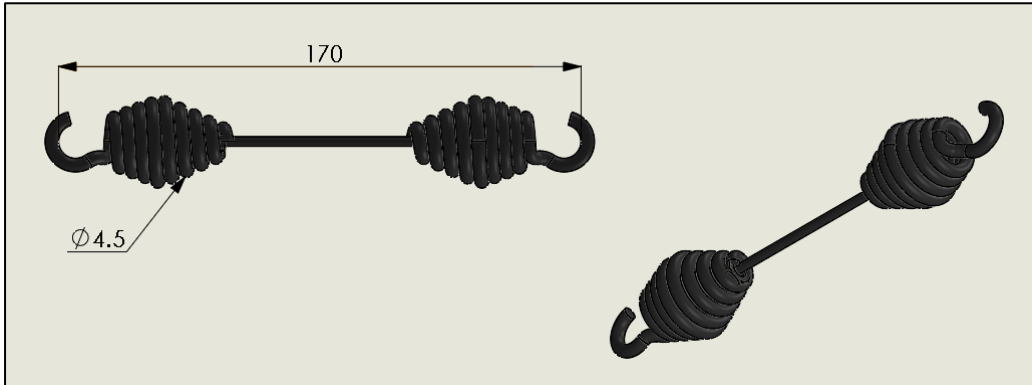
61542FA – Brake shoe with spring anchor bar and cam roller (FWE11)



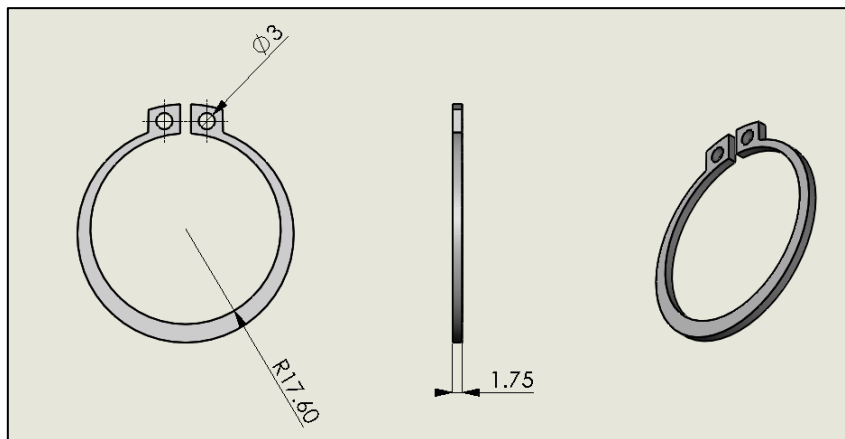
61080 –Camshaft Spherical Bearing



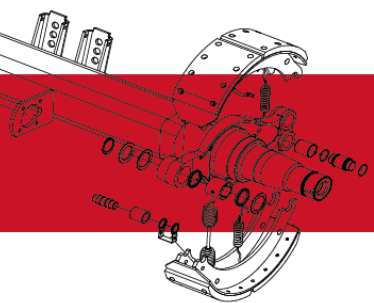
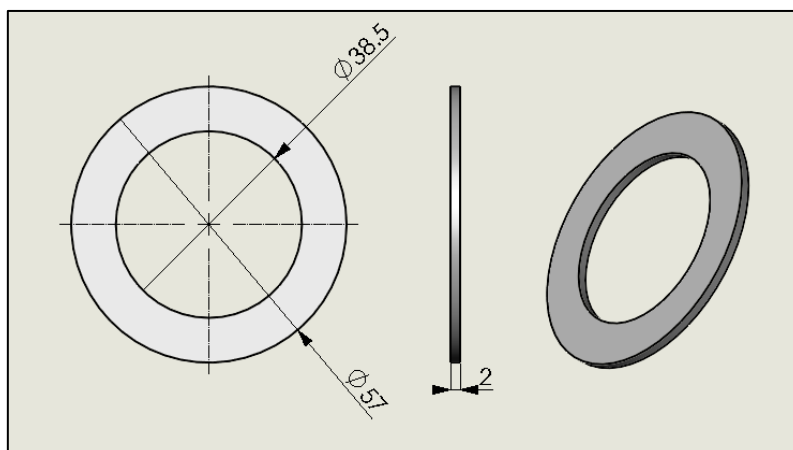
61660 – Spring Return



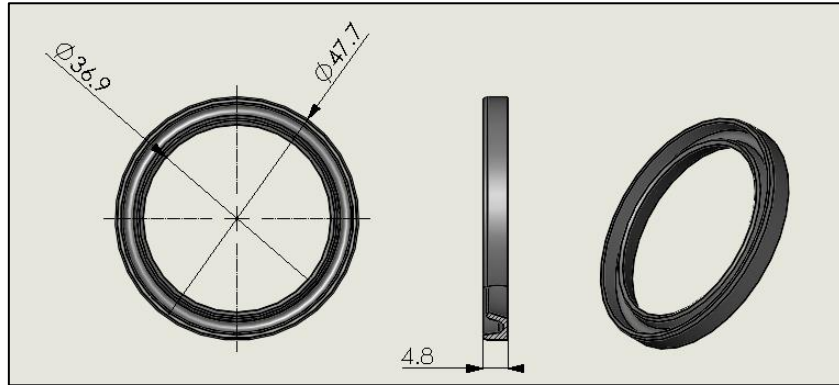
61120- Circlip



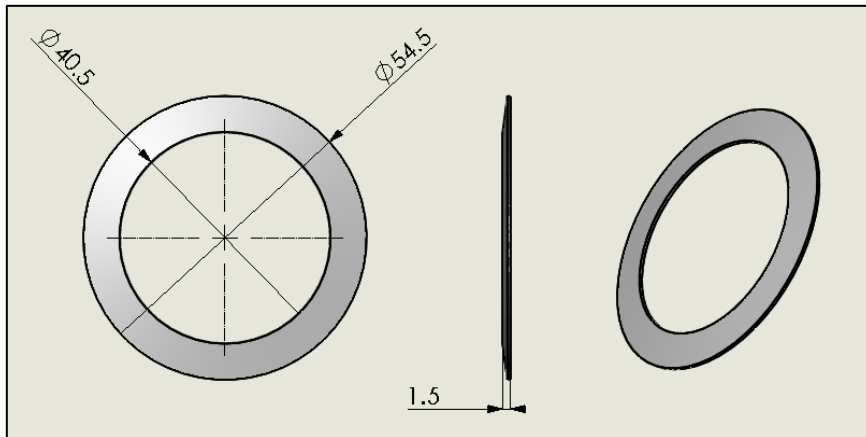
61058 - Camshaft Support Washer



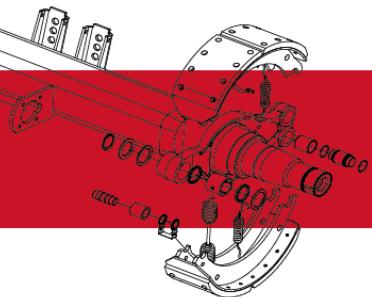
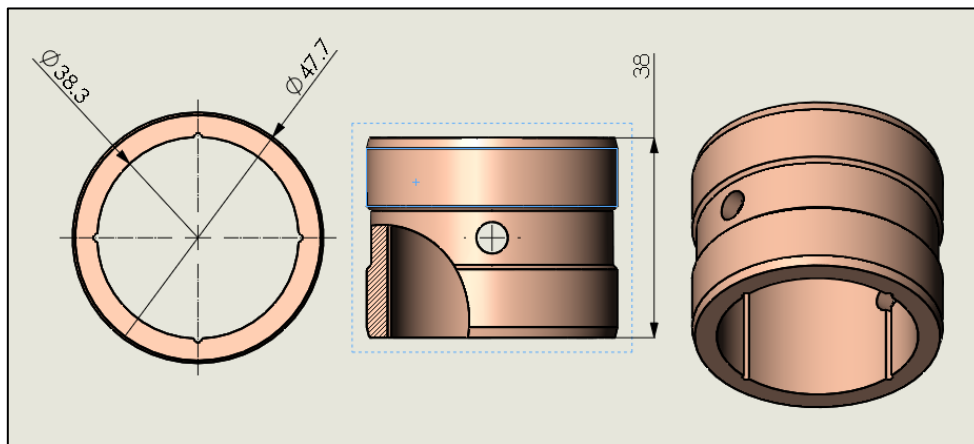
61056 - Camshaft Grease Seal



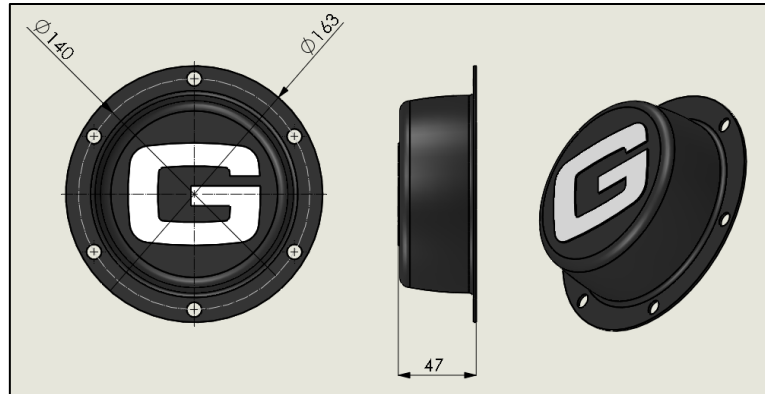
61057 - Camshaft Beveled Washer



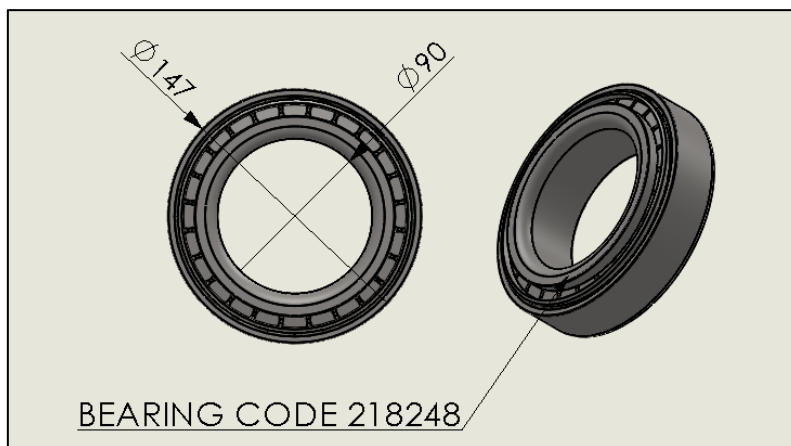
61055 - Camshaft Sintered Bush



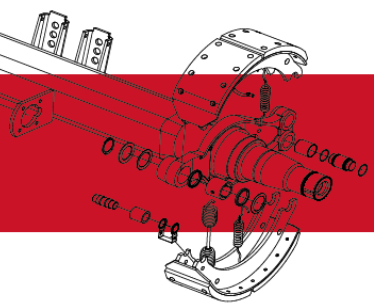
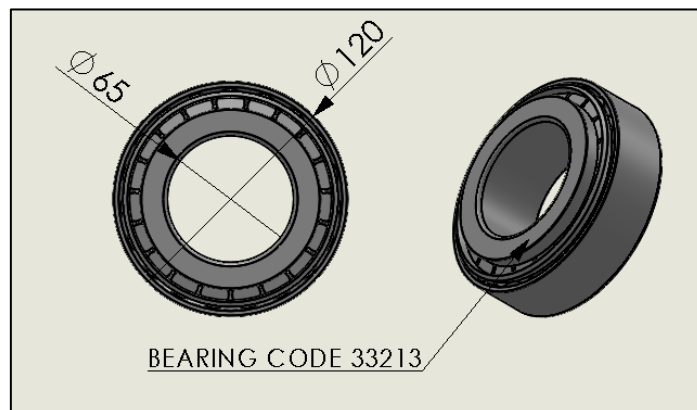
61322F - G Hub Cap Pressing



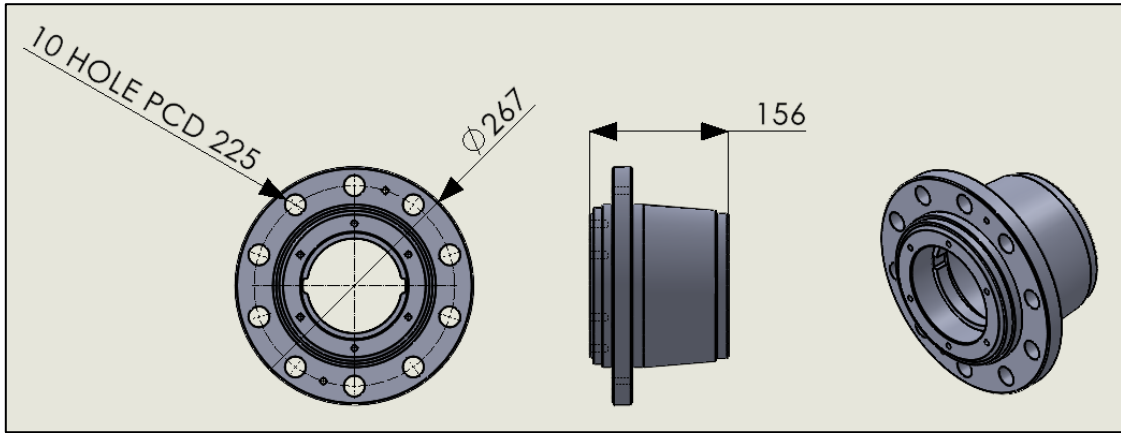
61260F- Inner bearing and cone



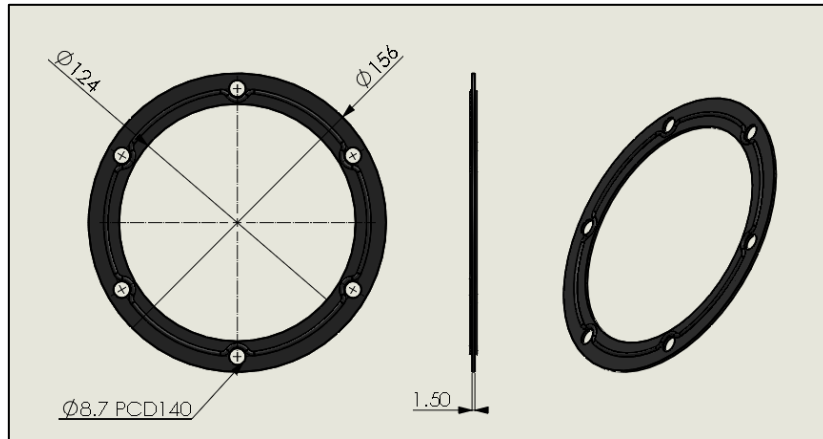
61270F- Outer bearing and cone



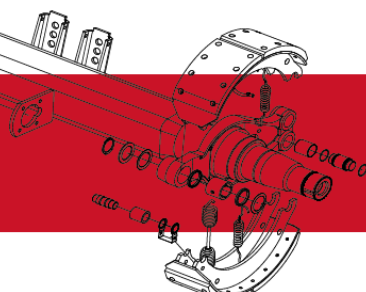
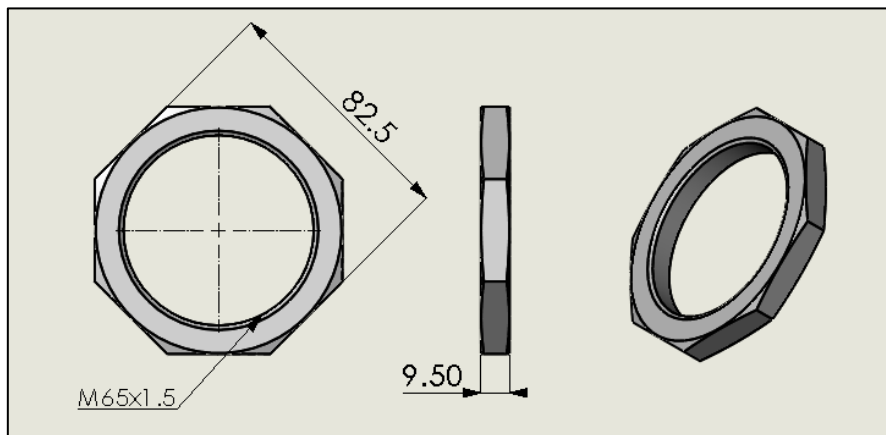
61730- Hub



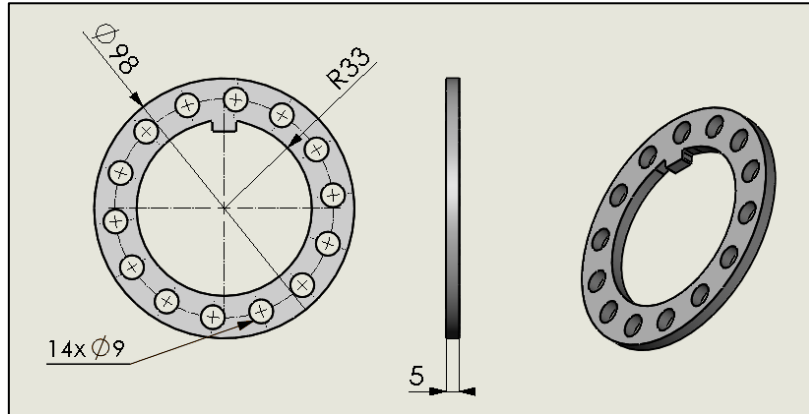
61330F- Gasket



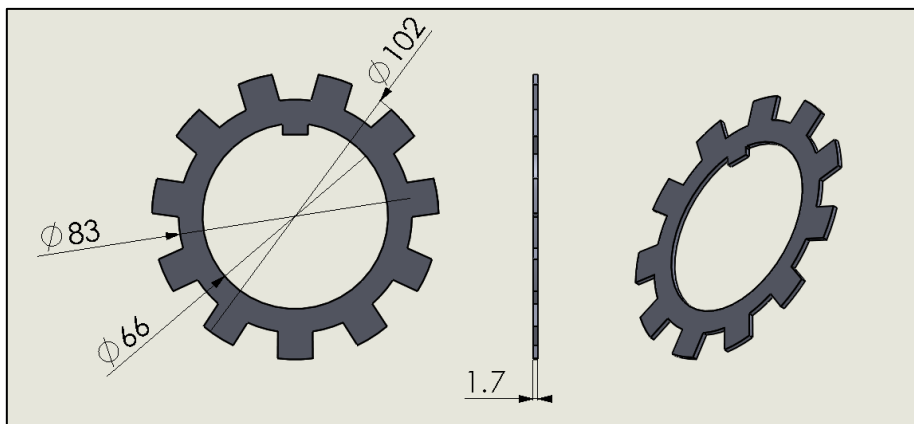
61310- Locknut



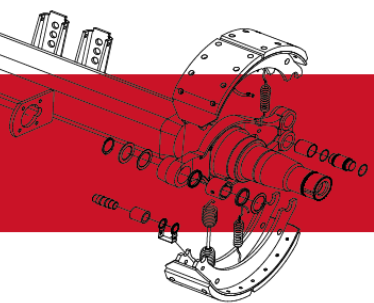
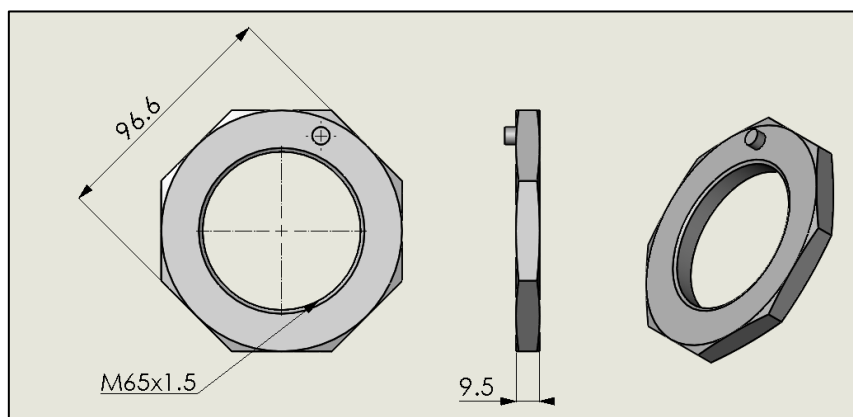
61300- Lock Washer



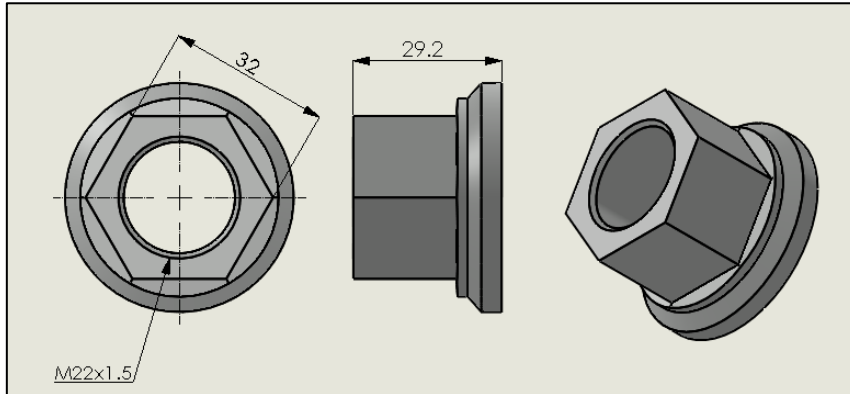
61311 - Tab Washer



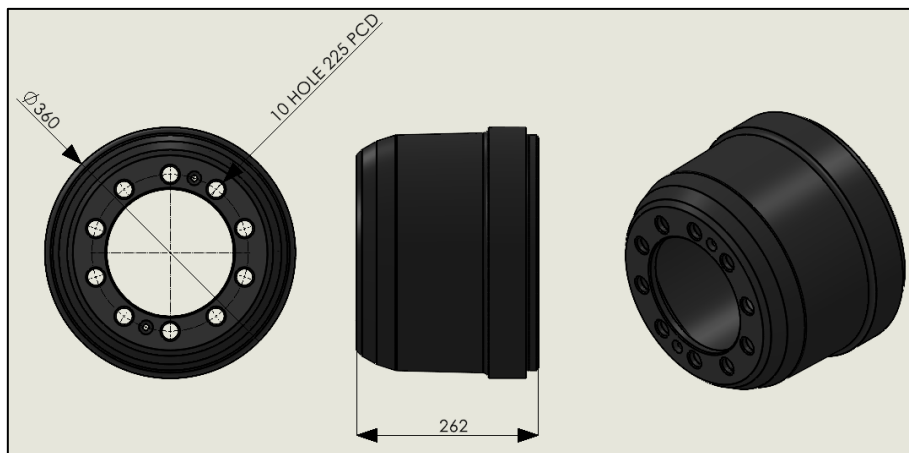
61290- Adjusting Nut



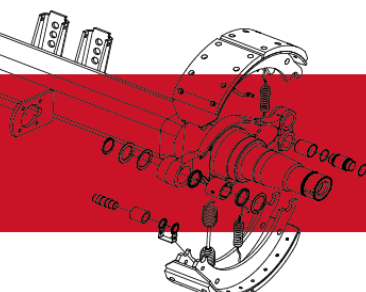
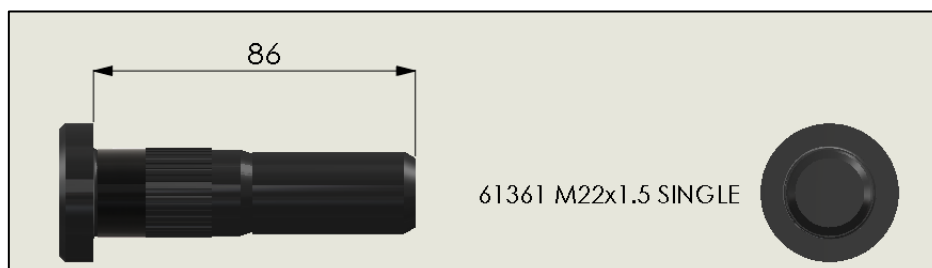
61381Z - ISO Wheel Nut M22



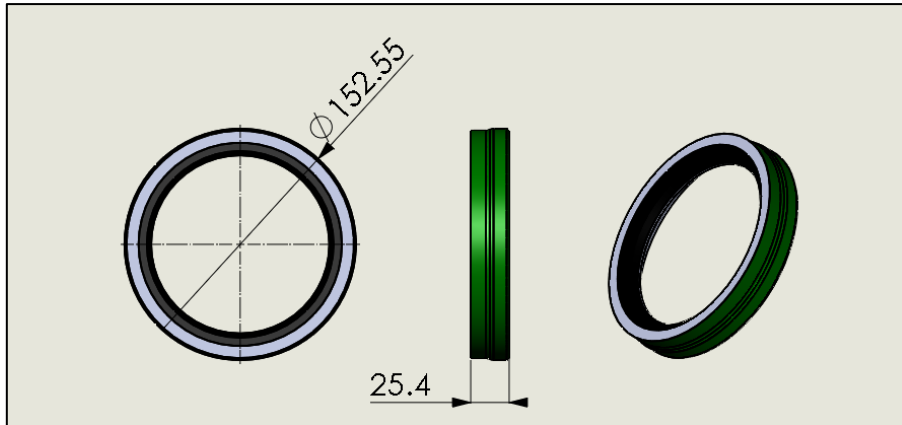
61530F- Brake Drum



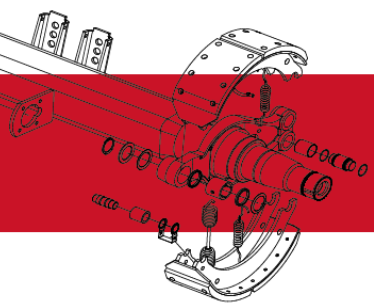
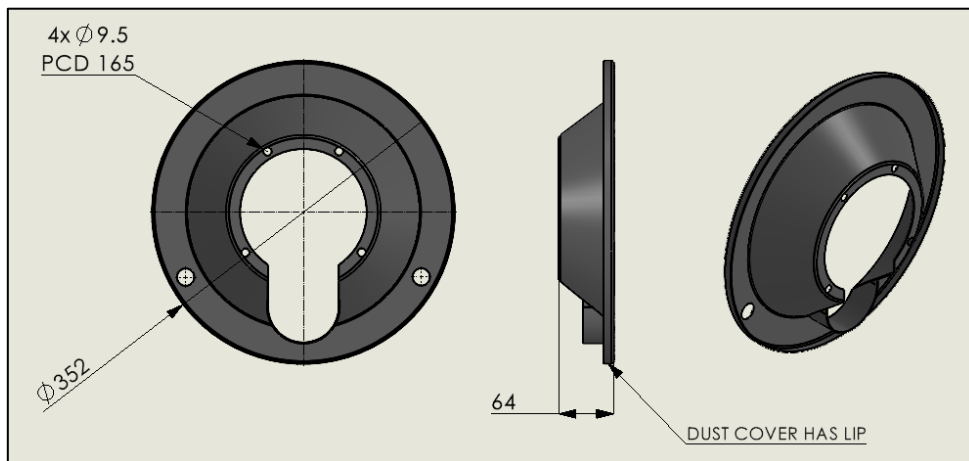
Wheel Bolt

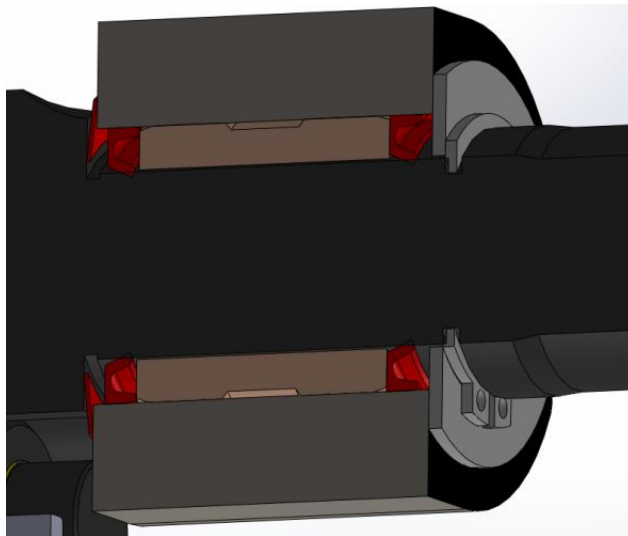
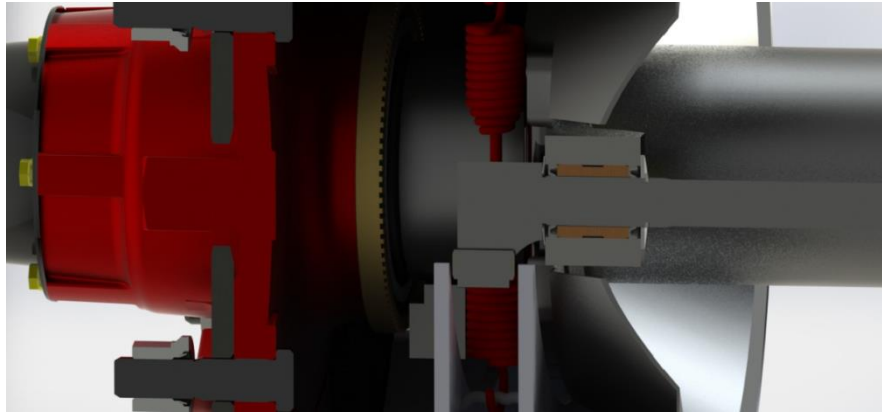


61282F - Unitised Grease Seal



61620 - Dust Cover





The direction of the grease seals in the anchor bracket is important as well as the position of the beveled washer between the anchor bracket and camshaft head.

