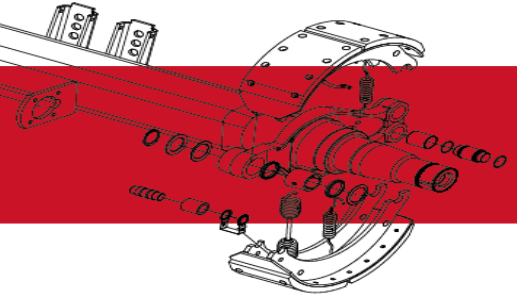
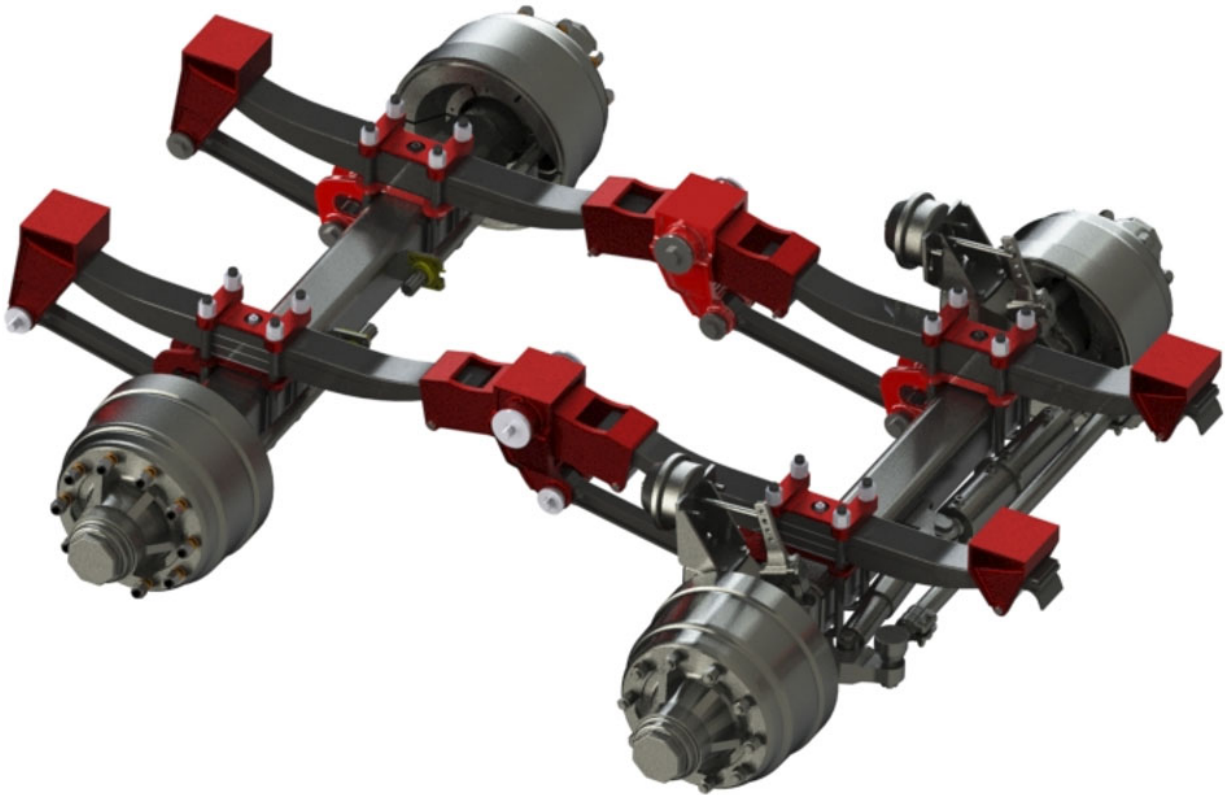




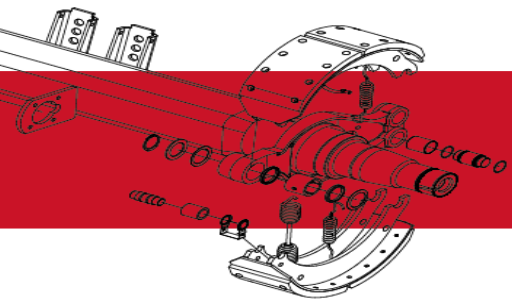
# Improved stability and carrying capacity Case Study

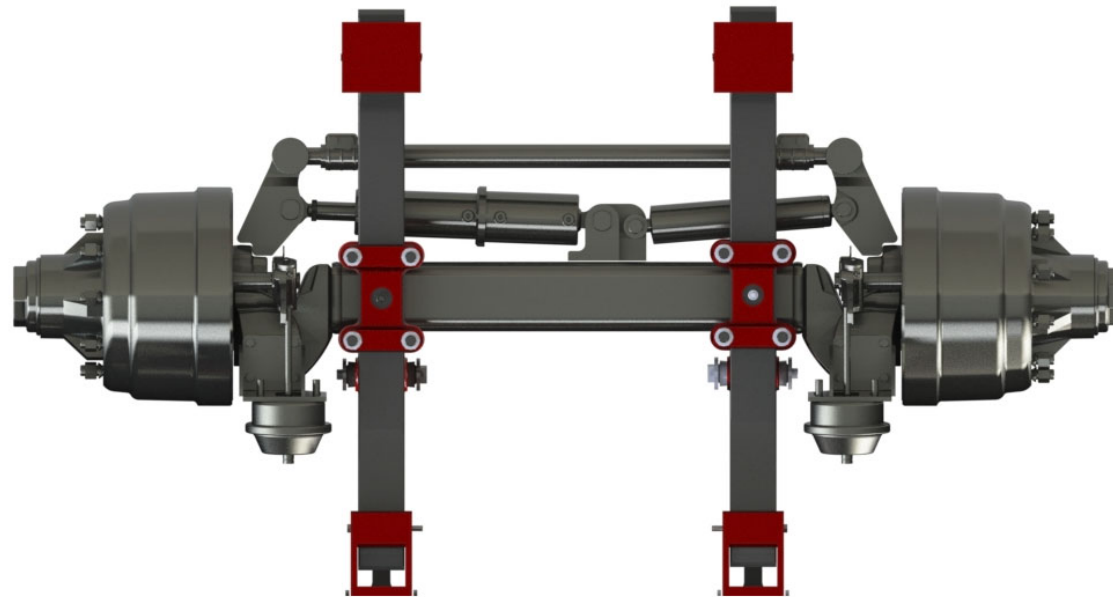




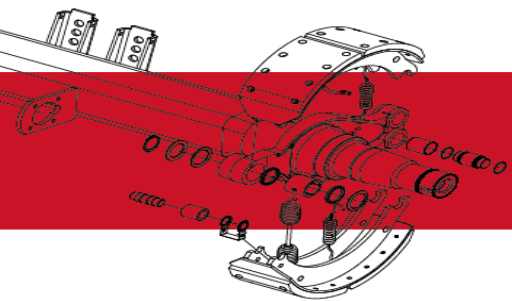
## Customer requirements

- Maintain their current 1500mm axle spread used for tyre clearance.
- Maintain their overslung suspension setup with unladen ride height approximately 300mm.
- Provide solution with higher capacity and stiffness than the current 11000kg rated 76mm suspension.
- Increase the carrying capacity of the axle beam but have a suspension clamp group to match.
- Give steer axle locking options for future customer requirements.
- Keep the existing axle track and suspension centres on the chassis.
- Set axles for air hydraulic brake chambers and have tyre clearance on steer axle.





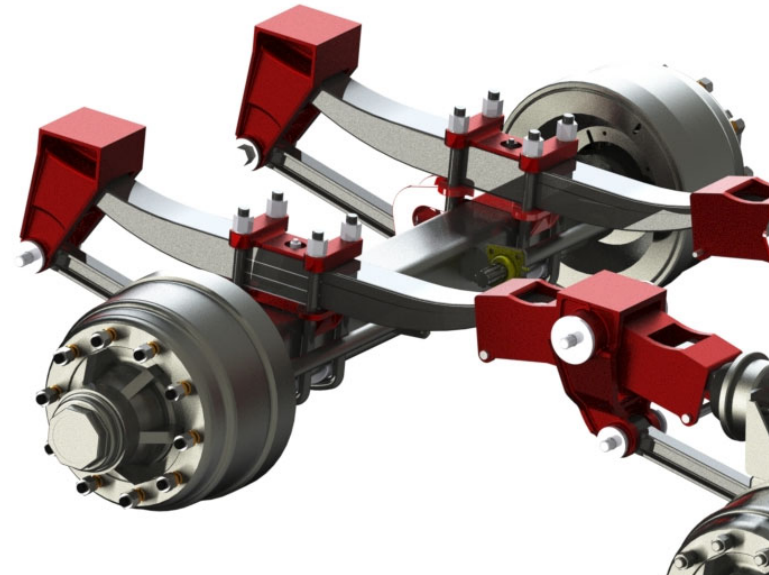
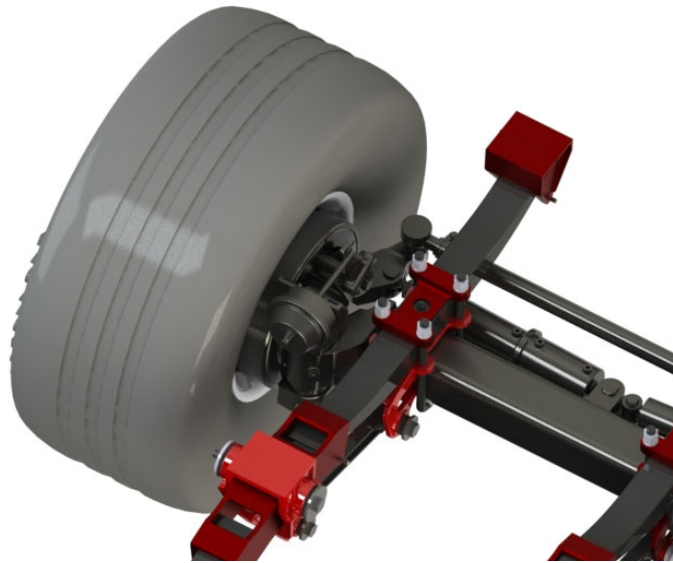
New set up has 100mm wide 3 leaf springs with 1500mm axle spread keeping the customers chassis requirements but increasing the suspension capacity to 13000Kg per axle.



[www.granningaxles.ie](http://www.granningaxles.ie)



Steer axle has increased capacity as well as a larger hydraulic ram which can be piped for hydraulic locking or controlled steering.



Fixed and steer axle uses 150mm square beam with higher carrying capacity and overhang.  
Matching suspension clamp group with unladen ride height at 315mm.  
Axle and suspension set fully mounted and checked for tyre and brake chamber clearance.

