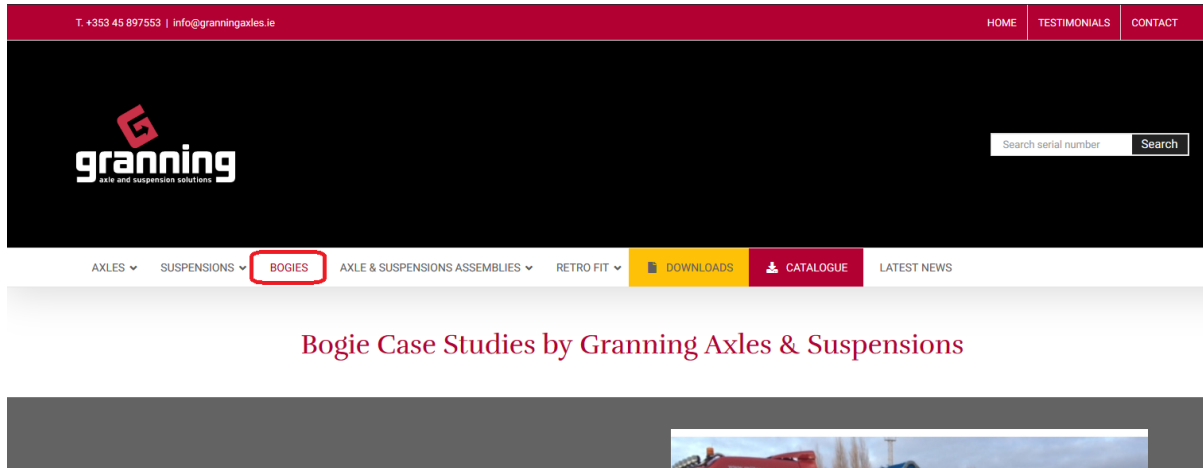


What options are there for bogie designs?

There are a wide range of bogie designs we can provide depending on your requirements. On the bogie section of the website there are 6 case study examples showing the features of Granning manufactured bogies. Contact Granning to get the full range of options available to meet your bogie requirements.



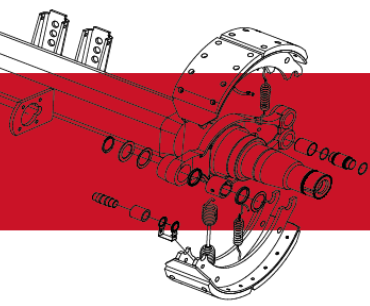
BOGIE CASE STUDY 4

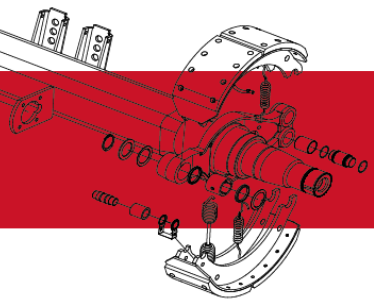
Customer requirements

- Command hydraulic steering on all axles
- Remote control steering from outside of driver cab
- European approved rear underun crash bar
- Complete bogie and machine light kit
- European approved turning circle
- Air suspension raise lower valve to allow easy bogie fitment

Bogie Specification

- Tri axle low loader air suspension
- Hydraulic command steering
- Light kit, markers, wheel chock and holders fitted
- EBS brake kit
- 30mm locking plate receivers fitted to bogie frame





www.granningaxles.ie