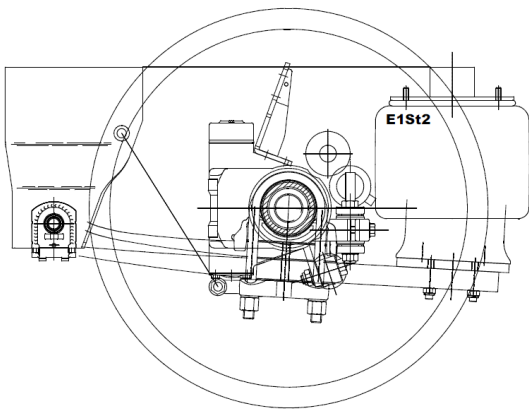


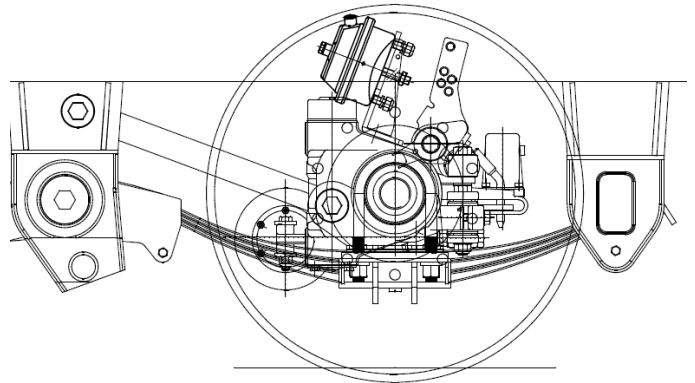
What angle should the steer axle kingpin be at?

For the majority of Steer axles the kingpin should be vertical when the suspension is at its ride height. This applies for air suspensions and mechanical suspensions.

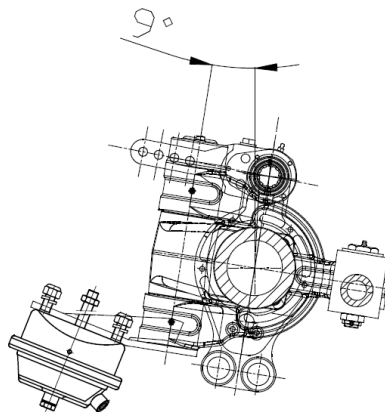
The only exception is 860 series (406x120 brake) steer axles where the kingpin is put at a 9 degree angle when mounted to a suspension.



RIDE HEIGHT



DIRECTION OF TRAVEL



860 Series Steer Axle

