

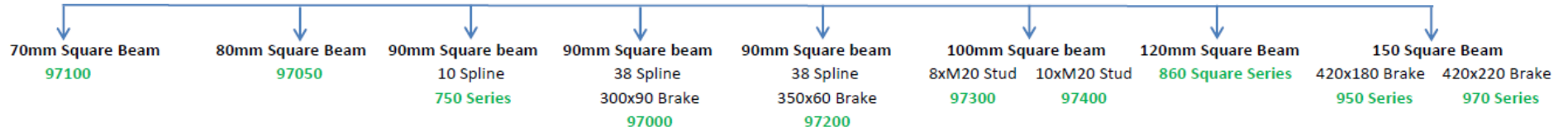
How do you identify an axle if the serial plate is gone?

Use the below table to identify your axle based on the axle beam size, brake size and hub type.

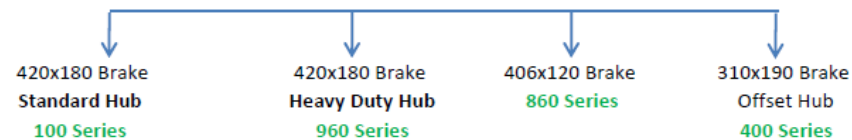
Disc Brake Round Beam



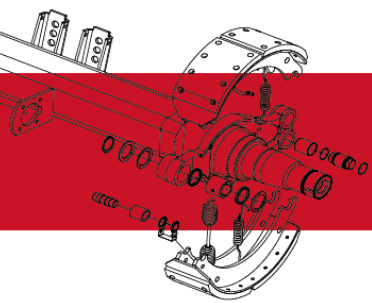
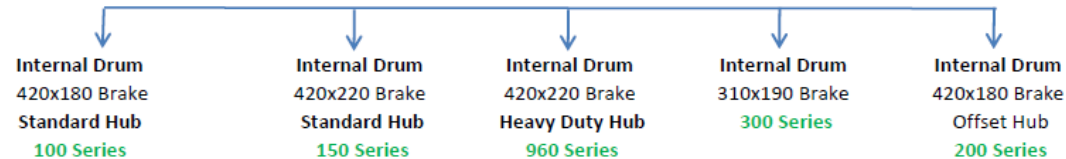
Drum Brake Square Beam

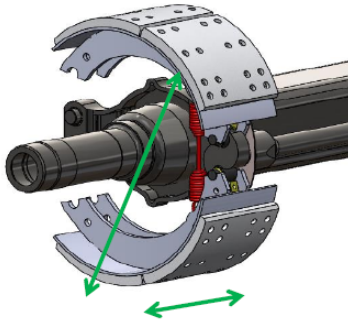


Drum Brake 127mm Round Beam External Drum



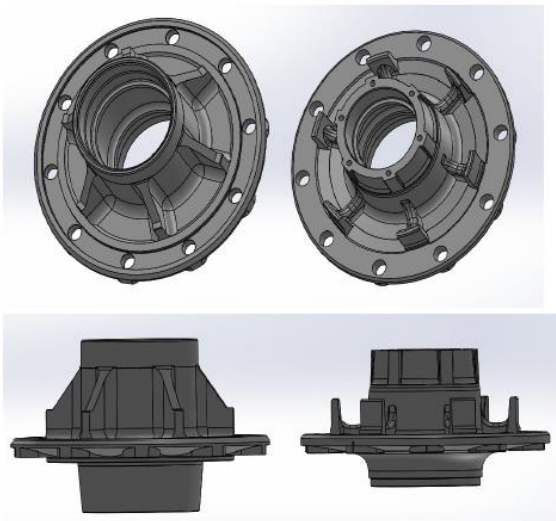
Drum Brake 127mm Round Beam Internal Drum





Brake Size : Diameter of Brake x Brake Width in Millimeters

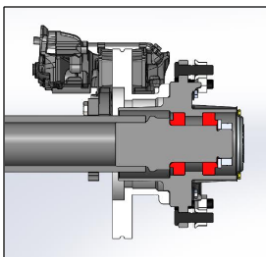
Eg 420x180. Brake Diameter 420mm, Brake Width 180mm



Heavy Duty 420x180 Hub on the Left

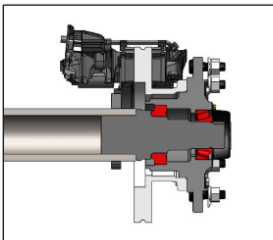
Standard 420x180 Hub on the right

61278 Twin bearing hub with 61296 Twin Bearing



Standard hub the wheel mounting face is between the bearings

61492 Offset hub with 61264/61265 Bearing



Offset hub the wheel mounting face is offset from the centreline of the bearings

