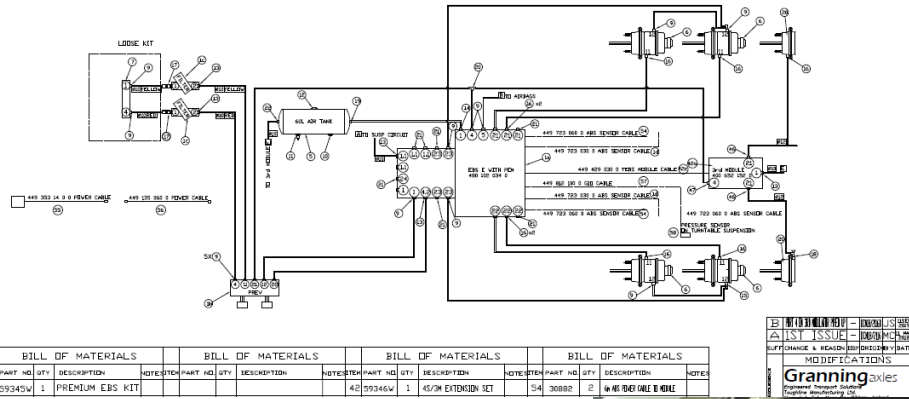
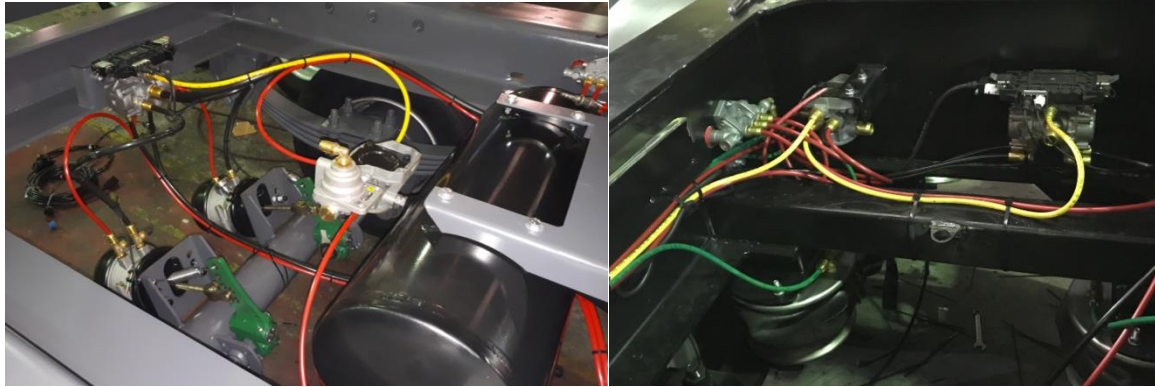


## Can you supply brake kits and light kits?

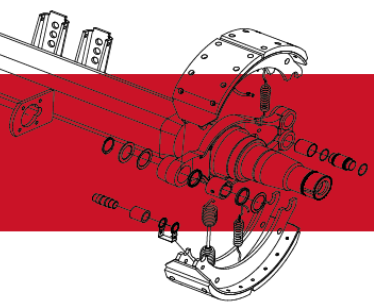
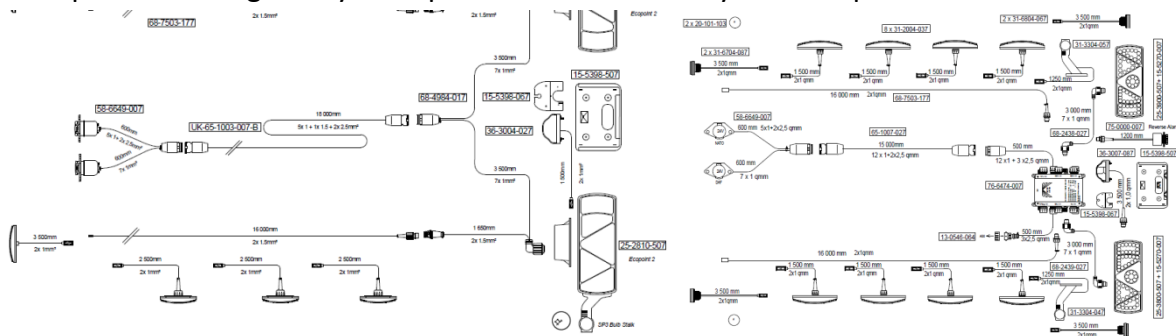
We have a full range of ABS, EBS, conventional brake kits with Load Sensing Valves, Lift axle valves, Park Shunt Valves, Raise Lower valves and more. We can supply the piping diagram, valves, fittings and pipe

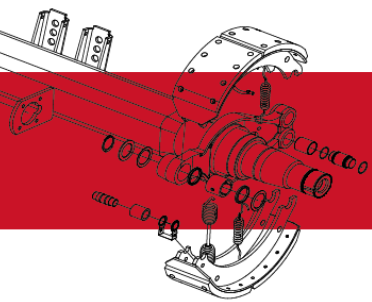


BILL OF MATERIALS				BILL OF MATERIALS				BILL OF MATERIALS				BILL OF MATERIALS			
QTY	NO	DESCRIPTION	NOTE	QTY	NO	DESCRIPTION	NOTE	QTY	NO	DESCRIPTION	NOTE	QTY	NO	DESCRIPTION	NOTE
1	29345W	PREMIUM EBS KIT		1	4520W	EXTENSION KIT		2	30080D	IN AIR TRAY ONLY TO ORDER					



Granning has a wide range of light kits from 12V to 24V, bulb to LED. Send a brief description of the light kit you require and we can send you a kit option.





[www.granningaxles.ie](http://www.granningaxles.ie)