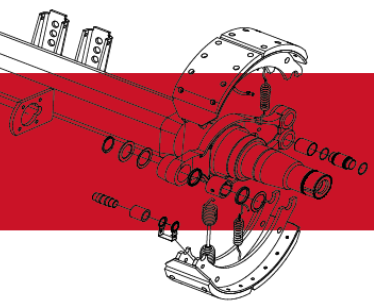
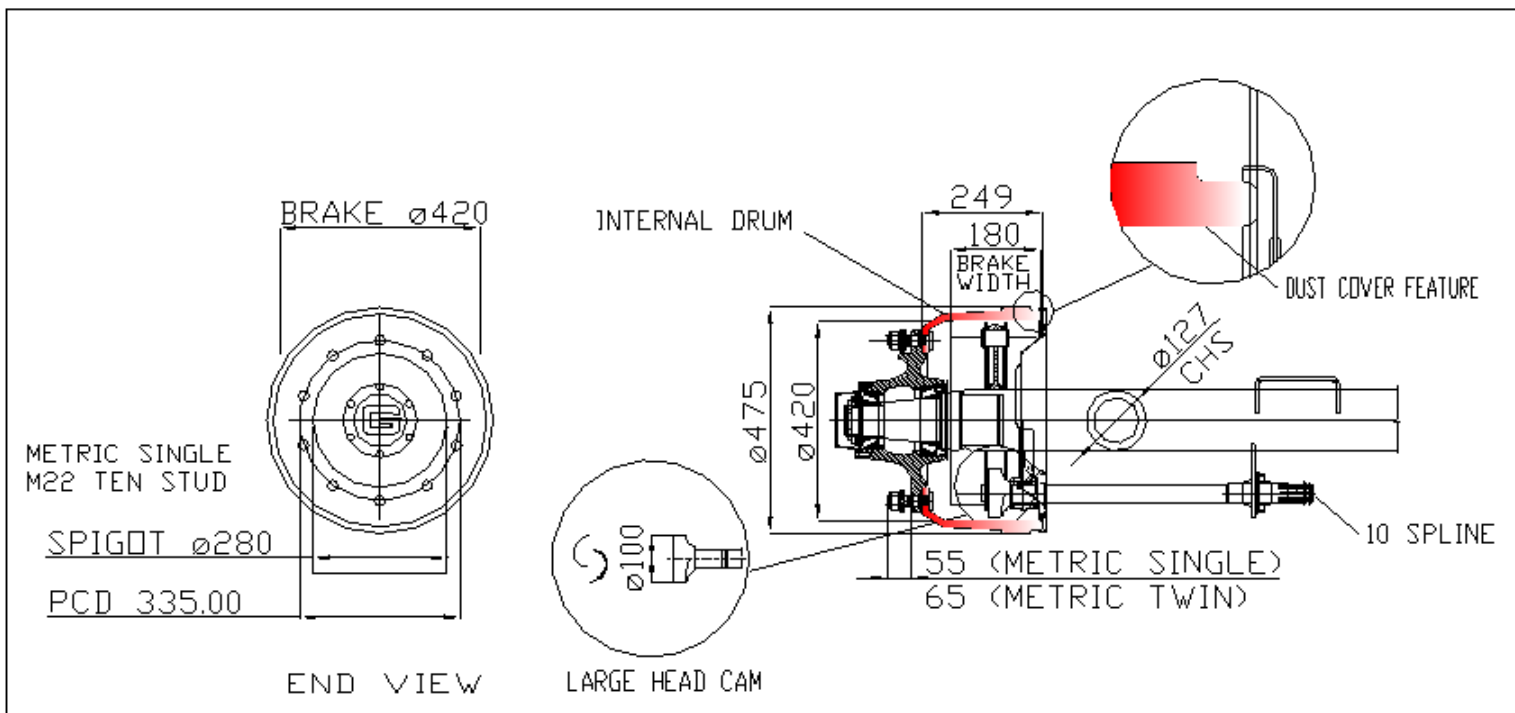
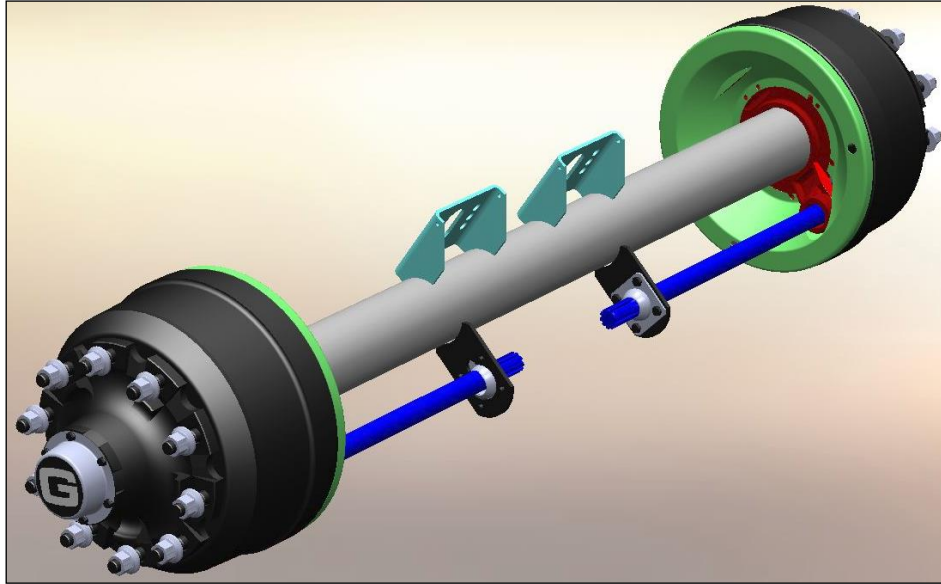


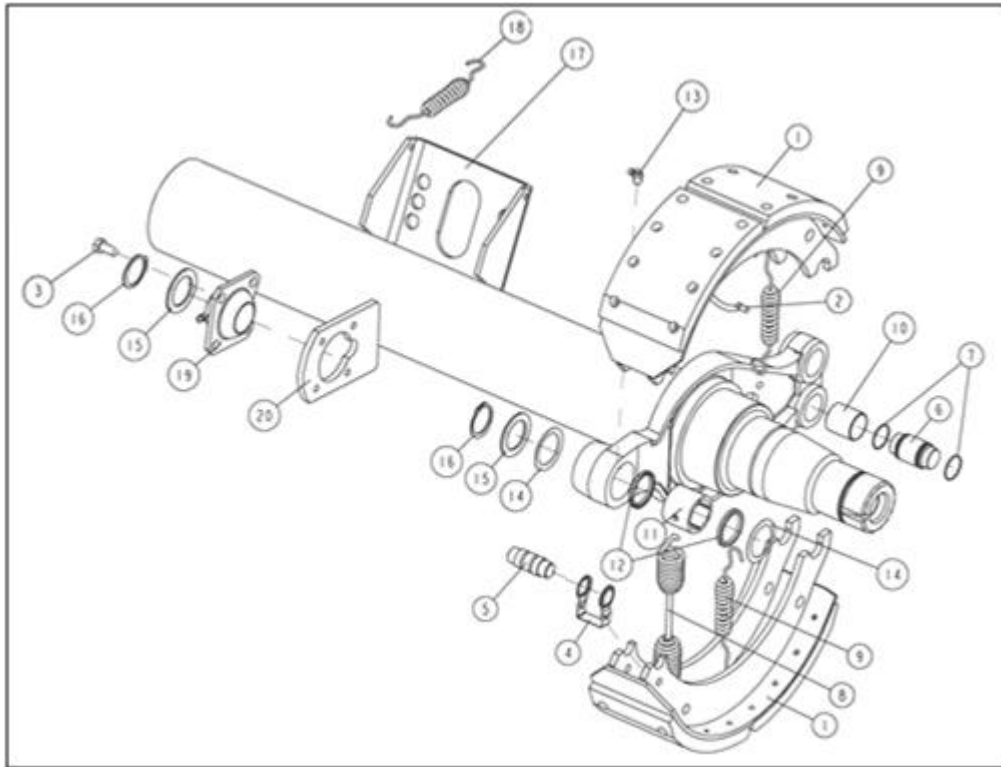
## **Axle Bill Of Materials**

*100 G Series Internal Drum 420x180*

*80369 Rev A November 2013*

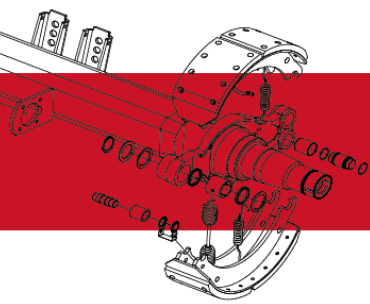
## 420 x 180 -100 SERIES INTERNAL AXLE

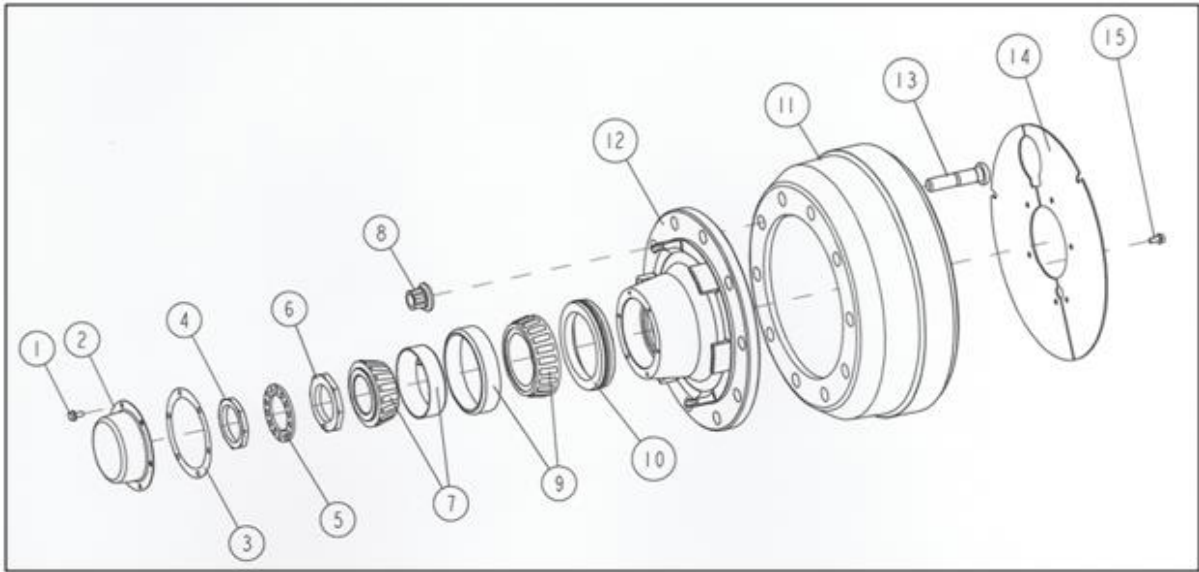




## 420 x 180 – 100 Series Quick Fit Brake Assembly

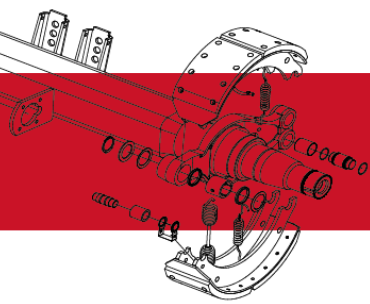
Item	Description	Part No.
1	Brake Shoe	61157F
2	Spring Anchor Bar	61150
3	Screw M10 x 20 Fl. Head	61359
4	Retainer Cam Roller	61220
5	One Piece Cam Roller	61235
6 & 7	Anchor Pin with O-Ring	61171
8	Spring Return	61140
9	Brake Shoe Retaining Spring	61141
10	Bush Anchor Pin	61200
11	Bush Sintered Camshaft	61055
12	Seal Grease Camshaft	61056
13	Greaser	61110
14	Beveled Washer Camshaft	61057
15	Support Washer Camshaft	61058
16	Circlip	61120
17	Air Chamber Bracket	61041F
18	Pull Off Spring Slack Adjuster	61142
19	Bearing Spherical Camshaft	61080
20	Bracket Support Camshaft	61050

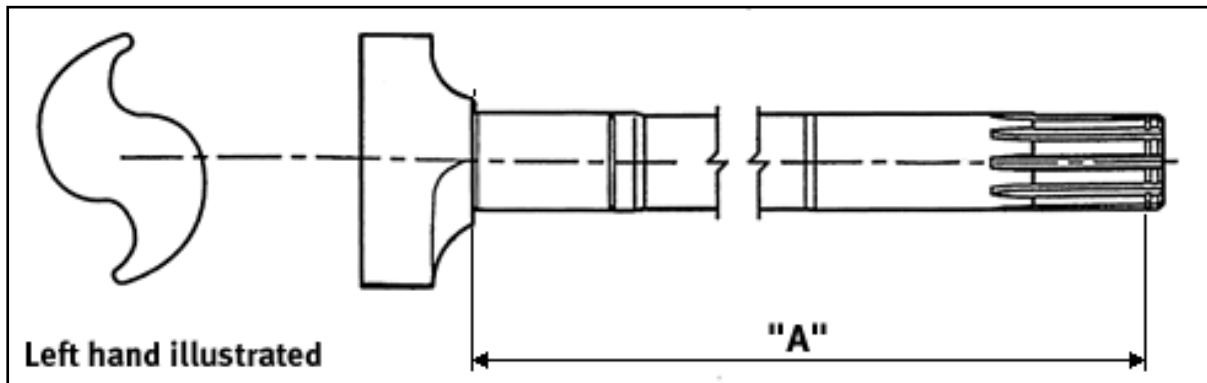




## 420 x 180 – 100 Series Internal Hub/Drum Assembly

Item	Description	Part No.
1	Screw M8 x 16 Fl. Head	61358
2	Hub Cap Pressing "G"	61322F
3	Gasket	61330F
4	Locknut	61310
5	Lock Washer	61300
6	Adjusting Nut	61290
7	Outer Bearing	61270
8	Wheel Nut M22 ISO	61381
9	Inner Bearing	61260
10	Seal Unitised Grease	61282
11	Brake Drum 10 Stud Internal	61240
12	Hub Spigot 10 Stud	61250
13	Wheel Bolt M22 ISO (Twin) Internal	61363
	Wheel Bolt M22 ISO (Single) Internal	61361
14	Dust Cover	61390
15	Screw M8 x 16 Fl. Head	61358

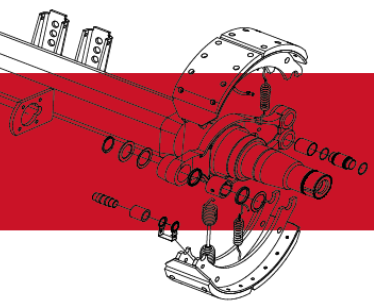


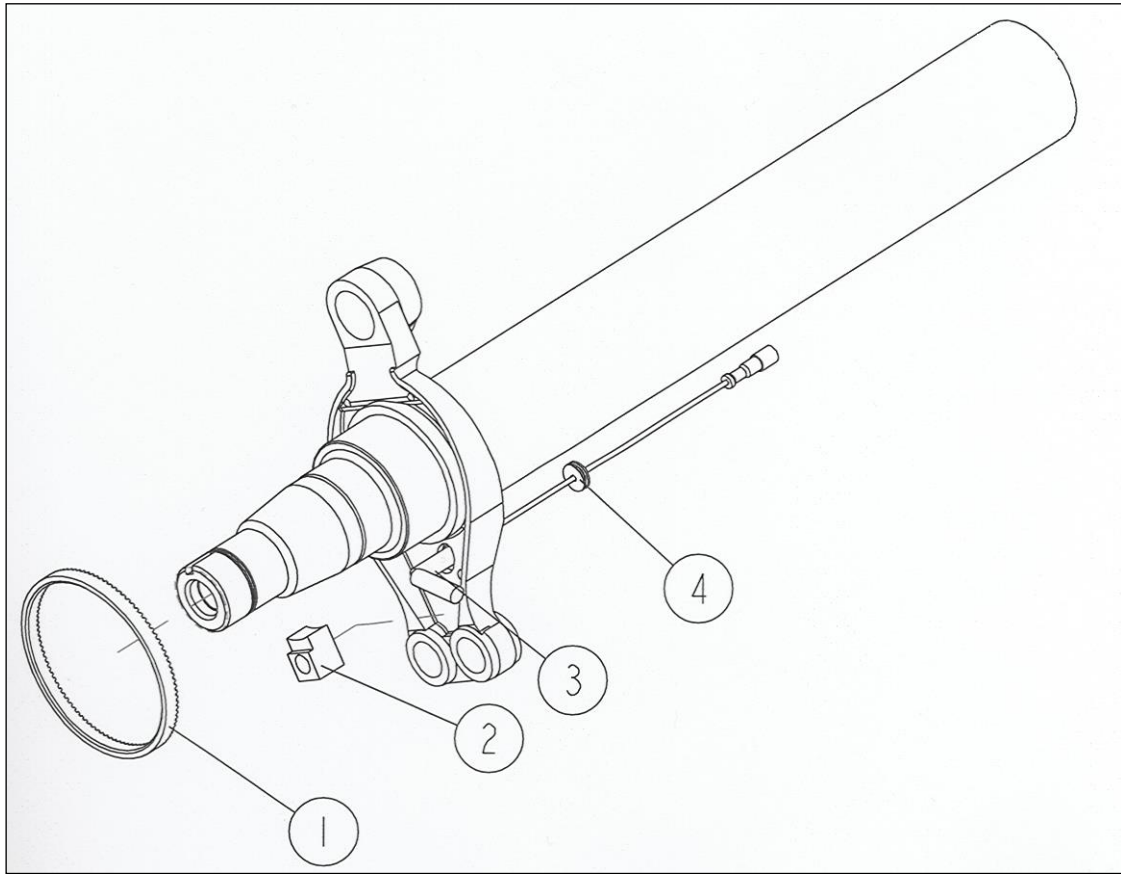


## 420 x 180 – 100 Series Camshaft Parts List

Item	Description	Part No.
1	519 mm L/Hand (Large)	61065
2	519 mm R/Hand (Large)	61075
3	618 mm L/Hand (Large)	61067
4	618 mm R/Hand (Large)	61077

---  
Camshaft lengths measured from under head to centre of last circlip groove.  
---

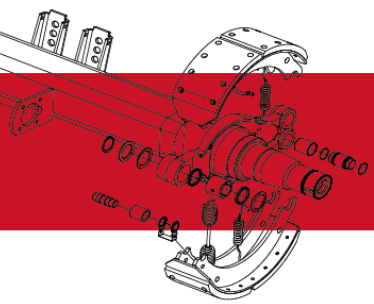




## 420 x 180 – 100 Series ABS/Anti-Lock Assembly

Item	Description	Part No.
1	Pole Wheel	61789
2	Sensor Block	61781
3	90° Sensor Lead & Bush	61786
3a	Straight Lead	61791
3b	Sensor Bush	61792
4	Grommet	61557

We reserve the right to make changes to specifications or to make improvements to the products in this catalogue without prior notice. We are not responsible for inaccuracies or omissions.





Our Offices

**Ireland**

Tel +353 (0) 45 897 553

Fax +353 (0) 45 848 638

**UK**

Tel +44 (0) 1925 817 689

Fax +44 (0) 1925 817 153

**NI**

Tel +44 (0) 2890 740 055

Fax +44 (0) 2890 752 718

**Poland**

Tel +48 (0) 29 753 1616

Fax +48 (0) 29 753 1604

**[sales@granningaxles.ie](mailto:sales@granningaxles.ie)**