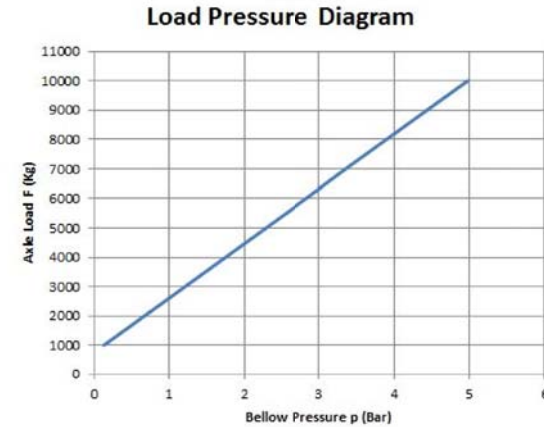
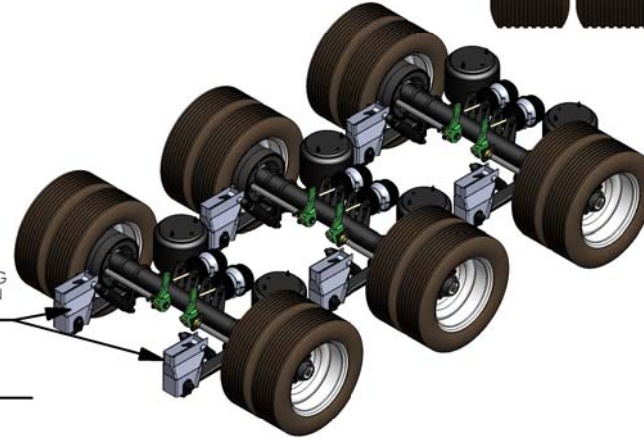
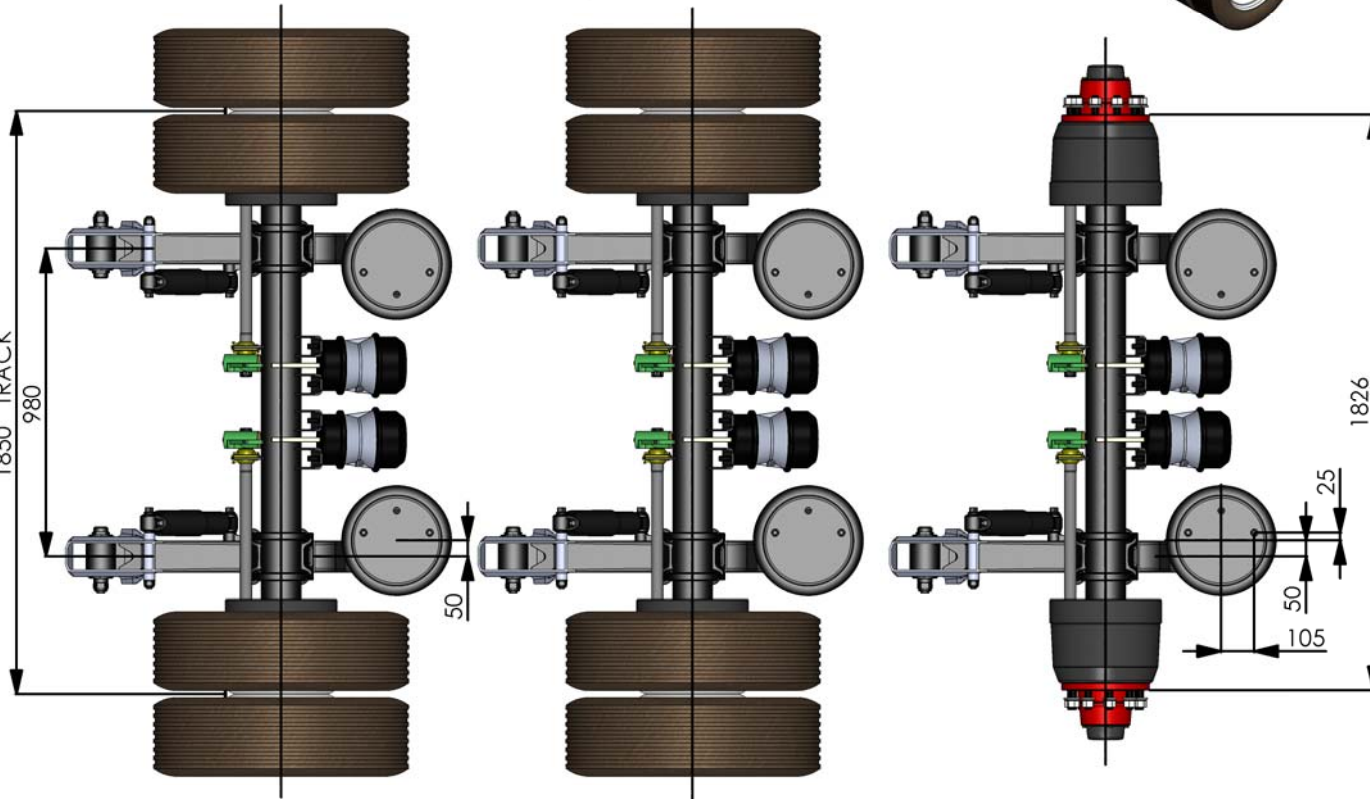


NOT SHOWN: ANGLED BRACING BETWEEN HANGER & FRAME ON EACH HANGER



DIRECTION OF TRAVEL



AXLE + SUSPENSION + TYRES CASE 2

AIR SUSPENSION 31502 10 TONNE TYPE 2
RIDE HEIGHT RANGE 175-210mm

60397F AXLE (FRONT & REAR), 60397FW (MIDDLE - ABS SENSOR)
300 SERIES 310X190 BRAKE, 1850mm TRACK
610mm CAMSHAFT, METRIC TWIN M22, TEN STUD

SET SUPPLIED TYPE 24/30 BRAKE CHAMBERS

AUTOMATIC SLACK ADJUSTERS

AXLE SEAT WELDED TO BEAM AND CLAMP GROUP TORQUED UP

TYRES SHOWN 235/75R17.5

SEE AIR SUSPENSION MANUAL FOR HANGER BRACING AND WELDING INSTRUCTIONS

GRANNING LTD CLAIMS PROPRIETARY RIGHTS TO ALL THE INFORMATION DISCLOSED ON THIS DRAWING. IT IS NOT TO BE REPRODUCED OR USED FOR MANUFACTURE OR FOR ANY OTHER PURPOSE OR DISCLOSED TO ANY THIRD PARTY WITHOUT OUR WRITTEN PERMISSION.		DO NOT SCALE DRAWING	REVISION	SHEET 1 OF 1
DEBURR AND BREAK SHARP EDGES				
	NAME	DATE		
	DRAWN S GEORGE	27/07/2018		
	CHK'D S GEORGE	27/07/2018		
	APP'VD XXXXXX	XXXXXX		
UNLESS OTHERWISE SPECIFIED, DIMENSIONS ARE MILLIMETERS				
LINEAR:				
NO DECIMALS- X +/-1mm				
ONE DECIMAL- XX +/-0.5mm				
TWO DECIMALS- XXX +/-0.2mm				
ANGULAR: 3 Degrees				
QUALITY CHECKS CARRIED OUT ON DIMENSIONS IN BOXES				
A	INITIAL RELEASE	27/07/2018		
REV	DCN	DATE		
			<small>GRANNING LYNX.COM GRANNINGAXLES.IE</small>	
			TITLE: TRI-AXLE 60397F + SUSP 31502 + 235-75 R17.5	
			DWG NO. AXLE + SUSPENSION + TYRES CASE 2	