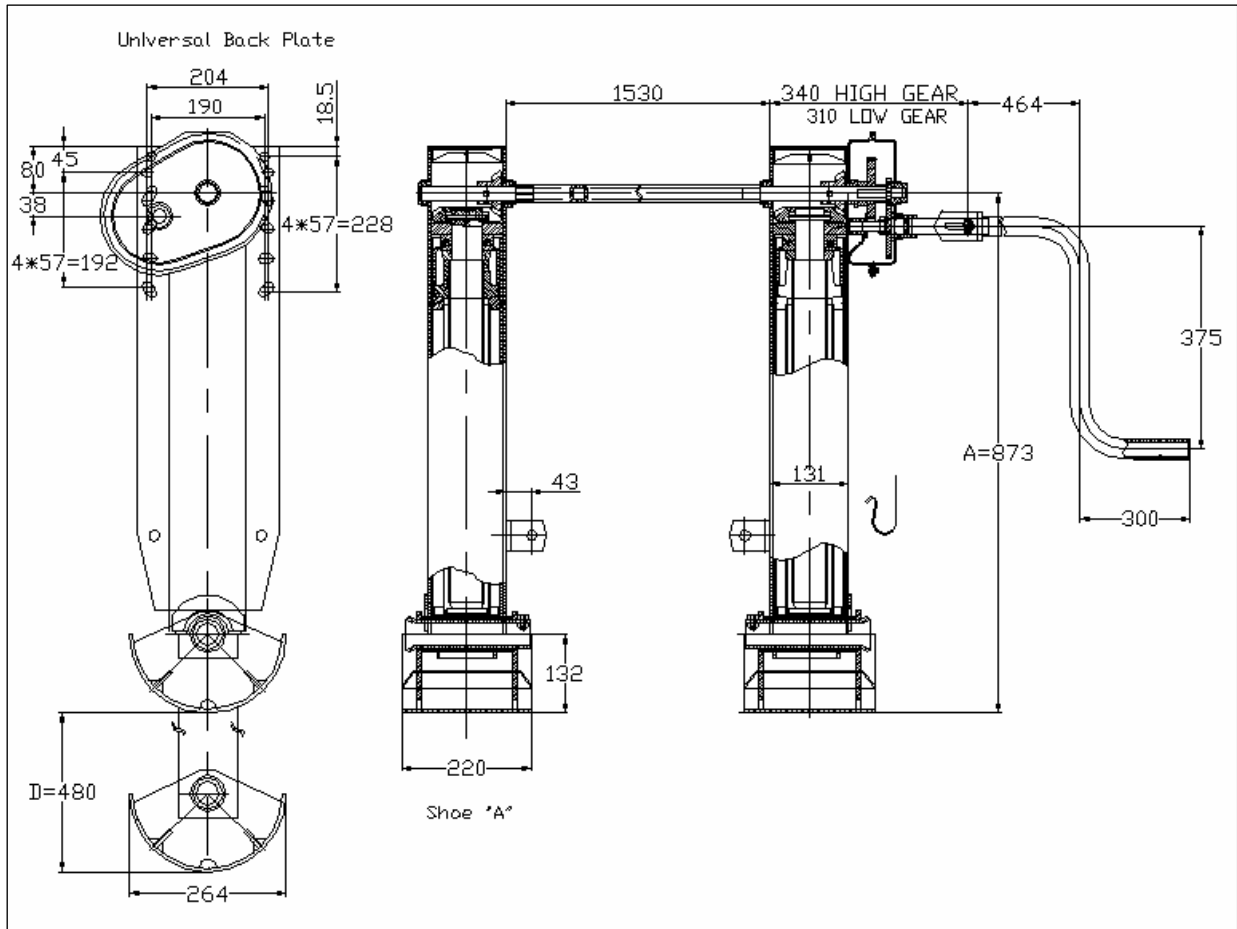




Granningaxles
Engineered transport solutions

LANDING LEGS



STANDARD SPECIFICATIONS

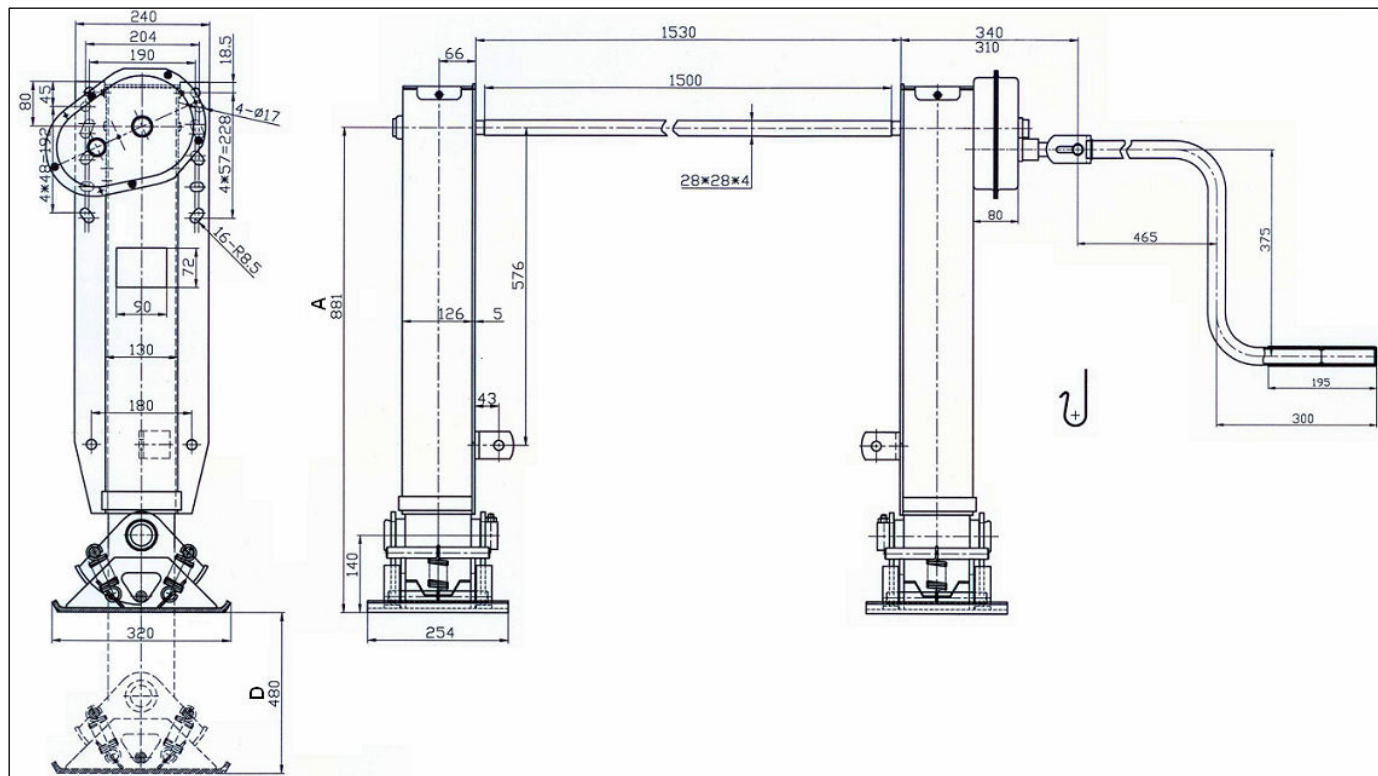
Capacity	28 000 kg/pair
Static Load	80 000 kg/pair
Weight	105kg
Crank Force:	
Low Gear	1 mm per turn (mm/r) of handle
High Gear	11 mm per turn (mm/r) of handle
One Side Operation Crank Force	28t – 35.5 kg
Two Side Operation Crank Force	28t – 18 kg

Model	Shoe Type	Lift D (mm)	Height A (mm)
FW270002A	A	480	873

TOUGHLINE MANUFACTURING LTD
Naas Industrial Estate
Naas, Co. Kildare
Ireland

Tel: + 353 (0) 45 897553
Fax: + 353 (0) 45 894306
E-mail: sales@granningaxles.ie
Web: www.granningaxles.ie

LANDING LEGS



STANDARD SPECIFICATIONS

Capacity	28 000 kg/pair
Static Load	80 000 kg/pair
Weight	105kg
Crank Force:	
Low Gear	1 mm per turn (mm/r) of handle
High Gear	11 mm per turn (mm/r) of handle
One Side Operation Crank Force	28t – 35.5 kg
Two Side Operation Crank Force	28t – 18 kg

Model	Shoe Type	Lift D (mm)	Height A (mm)
FW270002S	S	480	881

TOUGHLINE MANUFACTURING LTD
Naas Industrial Estate
Naas, Co. Kildare
Ireland

Tel: + 353 (0) 45 897553
Fax: + 353 (0) 45 894306
E-mail: sales@granningaxles.ie
Web: www.granningaxles.ie