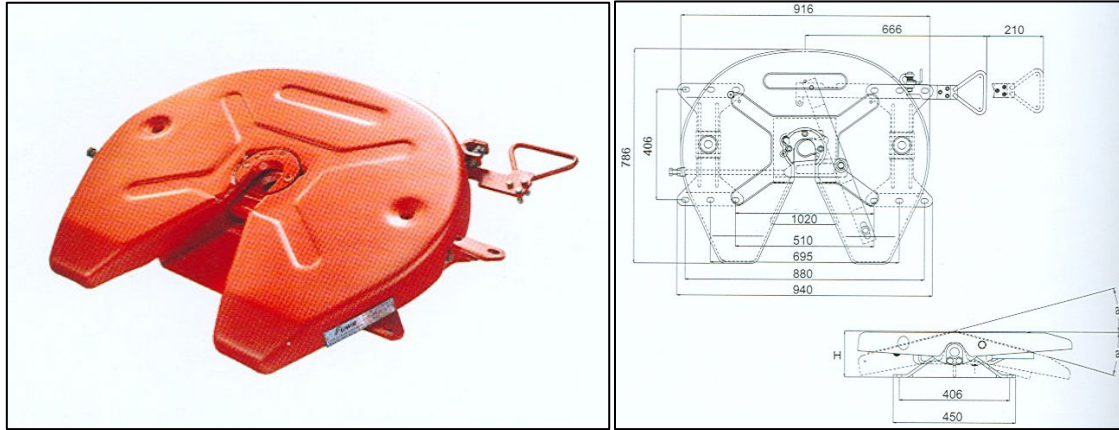


Fifth Wheel



Model	Mounting Height (mm)	Vertical Load (kg)	D-Value (KN)	Oscillations (a)	Net Weight (kg)	MGW (kg)
FW78Q1	172	20,000	152	15°	128.9	65,000
FW78Q2	150	20,000	152	13°	127.9	65,000
FW78Q3	185	20,000	152	18°	129.9	65,000

Features:

- The strong one-piece design
- Unique large radius design for more stability
- Multipoint lubrication design for less abrasion
- Universal interchangeable wearable collar and locking assembly
- Available in Grease steel wearable insert and greaseless wearable insert of super macromolecule polyethylene